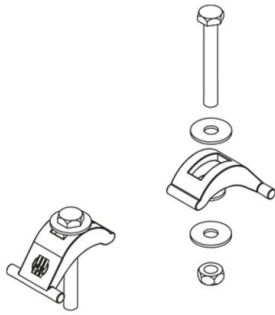


## SKS M

beam clamp set



Hot-dip galvanized, according to BS 729 (DIN EN ISO 1461)

Product	k	P <sub>max</sub>	M	G
SKS M-HDG	10 - 30 mm	20 kN	50 Nm	0,52 kg/set
incl.:				
2x SES 10X75-HDG		hexagon head bolt, DIN 933		
2x SEM 10-HDG		hexagon-nut, DIN 934		
4x US 10X30-HDG		washer, DIN EN ISO 7093		
2x UVS M10X24-PE		captive washer		

**k:** clamping range

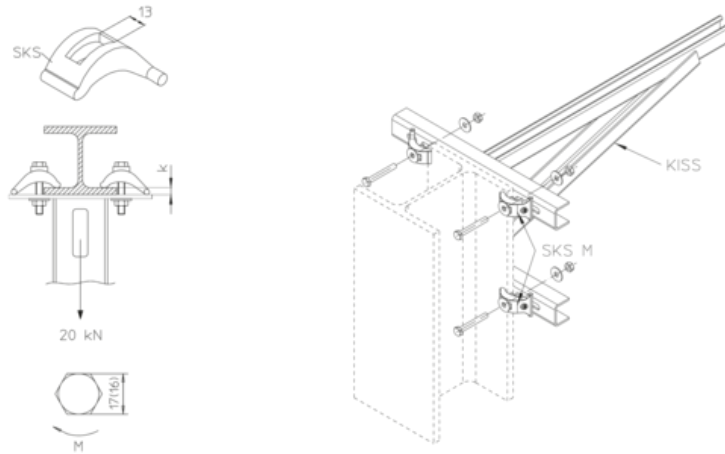
**P<sub>max</sub>:** Maximum load

**M:** torque

**G:** weight

## DETAILS / APPLICATIONS





## OPTIONAL ACCESSORIES

### KISS

