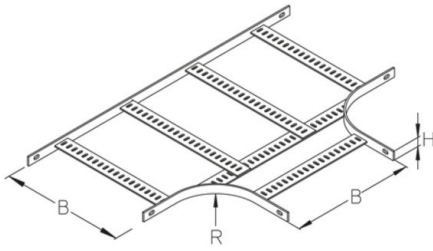


SLA

ship ladder branch, height = 30 mm

ship ladder branch, shaped piece as T-piece



Bright rolled

Product	H	B	R	G
SLA 075B	30 mm	75 mm	100 mm	2,5 kg
SLA 100B	30 mm	100 mm	100 mm	2,7 kg
SLA 150B	30 mm	150 mm	100 mm	3,2 kg
SLA 200B	30 mm	200 mm	100 mm	3,6 kg
SLA 250B	30 mm	250 mm	100 mm	4,1 kg
SLA 300B	30 mm	300 mm	150 mm	5,4 kg
SLA 400B	30 mm	400 mm	150 mm	6,5 kg
SLA 500B	30 mm	500 mm	200 mm	8,8 kg

Hot-dip galvanized, according to BS 729 (DIN EN ISO 1461)

Product	H	B	R	G
SLA 075F	30 mm	75 mm	100 mm	2,5 kg
SLA 100F	30 mm	100 mm	100 mm	2,7 kg
SLA 150F	30 mm	150 mm	100 mm	3,2 kg
SLA 200F	30 mm	200 mm	100 mm	3,6 kg
SLA 250F	30 mm	250 mm	100 mm	4,1 kg
SLA 300F	30 mm	300 mm	150 mm	5,4 kg
SLA 400F	30 mm	400 mm	150 mm	6,5 kg
SLA 500F	30 mm	500 mm	200 mm	8,8 kg



weld-primed

Product	H	B	R	G
SLA 075M	30 mm	75 mm	100 mm	2,5 kg
SLA 100M	30 mm	100 mm	100 mm	2,7 kg
SLA 150M	30 mm	150 mm	100 mm	3,2 kg
SLA 200M	30 mm	200 mm	100 mm	3,6 kg
SLA 250M	30 mm	250 mm	100 mm	4,1 kg
SLA 300M	30 mm	300 mm	150 mm	5,4 kg
SLA 400M	30 mm	400 mm	150 mm	6,5 kg
SLA 500M	30 mm	500 mm	200 mm	8,8 kg

Hot-dip galvanized, according to BS 729 (DIN EN ISO 1461)

Product	H	B	R	G
SLA 75-HDG	30 mm	75 mm	100 mm	2,50 kg
SLA 100-HDG	30 mm	100 mm	100 mm	2,70 kg
SLA 150-HDG	30 mm	150 mm	100 mm	3,20 kg
SLA 200-HDG	30 mm	200 mm	100 mm	3,60 kg
SLA 300-HDG	30 mm	300 mm	150 mm	5,40 kg
SLA 400-HDG	30 mm	400 mm	150 mm	6,50 kg
SLA 500-HDG	30 mm	500 mm	200 mm	8,80 kg

Stainless steel, according to ASTM 304 / BS 304 S 3

Product	H	B	R	G
SLA 75-304	30 mm	75 mm	100 mm	2,26 kg
SLA 100-304	30 mm	100 mm	100 mm	2,47 kg
SLA 150-304	30 mm	150 mm	100 mm	2,9 kg
SLA 200-304	30 mm	200 mm	100 mm	3,3 kg
SLA 300-304	30 mm	300 mm	150 mm	4,5 kg
SLA 400-304	30 mm	400 mm	150 mm	5,33 kg
SLA 500-304	30 mm	500 mm	200 mm	6,6 kg

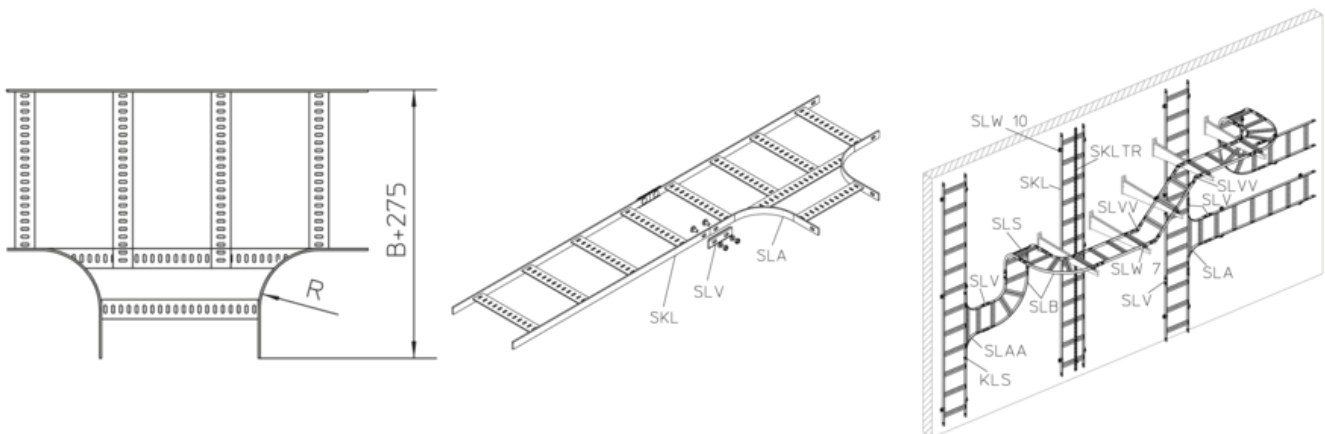


Stainless steel, according to ASTM 31 Ti / AISI 316 L, BS 320S17 / BS 316S11

Product	H	B	R	G
SLA 75-316	30 mm	75 mm	100 mm	2,5 kg
SLA 100-316	30 mm	100 mm	100 mm	2,7 kg
SLA 150-316	30 mm	150 mm	100 mm	3,2 kg
SLA 200-316	30 mm	200 mm	100 mm	3,6 kg
SLA 300-316	30 mm	300 mm	150 mm	5,4 kg
SLA 400-316	30 mm	400 mm	150 mm	6,5 kg
SLA 500-316	30 mm	500 mm	200 mm	8,8 kg

H: height
B: width
R: radius
G: weight

DETAILS / APPLICATIONS



OPTIONAL ACCESSORIES

SLW, SLV, SLVV

