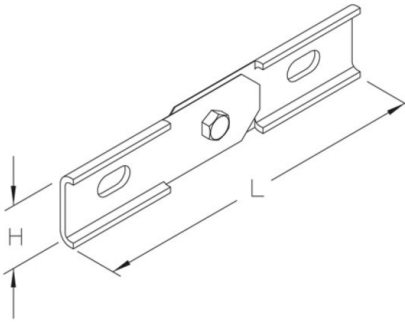


SLVV

ship ladder connector, vertical



Bright rolled

Product	H	L	G
SLVV B	38 mm	180 mm	0,2 kg
incl.:			
2x KLS 10X20F		clamp fastening set	
1x SES 10X20F		hexagon head bolt, DIN 933	
1x SEM 10F		hexagon-nut, DIN 934	

Hot-dip galvanized, according to BS 729 (DIN EN ISO 1461)

Product	H	L	G
SLVV F	38 mm	180 mm	0,2 kg
incl.:			
2x KLS 10X20F		clamp fastening set	
1x SES 10X20F		hexagon head bolt, DIN 933	
1x SEM 10F		hexagon-nut, DIN 934	

weld-primed

Product	H	L	G
SLVV M	38 mm	180 mm	0,2 kg



PRODUCT INFORMATION



Product	H	L	G
incl.: 2x KLS 10X20F 1x SES 10X20F 1x SEM 10F			clamp fastening set hexagon head bolt, DIN 933 hexagon-nut, DIN 934

Hot-dip galvanized, according to BS 729 (DIN EN ISO 1461)

Product	H	L	G
SLVV-HDG	38 mm	180 mm	0,30 kg
incl.: 2x KLS 10X20-HDG 1x SES 10X20-HDG 1x SEM 10-HDG			clamp fastening set hexagon head bolt, DIN 933 hexagon-nut, DIN 934

Stainless steel, according to ASTM 31 Ti / AISI 316 L, BS 320S17 / BS 316S11

Product	H	L	G
SLVV-316	38 mm	180 mm	0,30 kg
incl.: 2x KLS 10X20-316 1x SES 10X20-316 1x SEM 10-316			clamp fastening set hexagon head bolt, DIN 933 hexagon-nut, DIN 934

H: height
L: length
G: weight

DETAILS / APPLICATIONS



