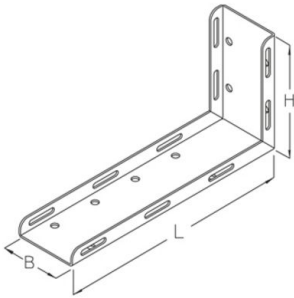


SRFW

base bracket



Hot-dip galvanized, according to BS 729 (DIN EN ISO 1461)

Product	H	B	L	t	G
SRFW 60F	200 mm	100 mm	400 mm	3,00 mm	1,95 kg

Stainless steel, according to ASTM 304 / BS 304 S 3

Product	H	B	L	t	G
SRFW 60E	200 mm	100 mm	400 mm	3,00 mm	1,95 kg

Hot-dip galvanized, according to BS 729 (DIN EN ISO 1461)

Product	H	B	L	t	G
SRFW 30-HDG	100 mm	60 mm	200 mm	2,00 mm	0,52 kg
SRFW 60-HDG	200 mm	100 mm	400 mm	3,00 mm	1,95 kg

Stainless steel, according to ASTM 304 / BS 304 S 3

Product	H	B	L	t	G
SRFW 30-304	100 mm	60 mm	200 mm	2,00 mm	0,52 kg
SRFW 60-304	200 mm	100 mm	400 mm	3,00 mm	1,95 kg

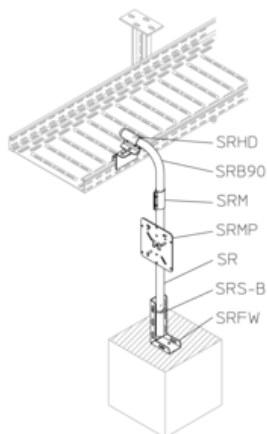
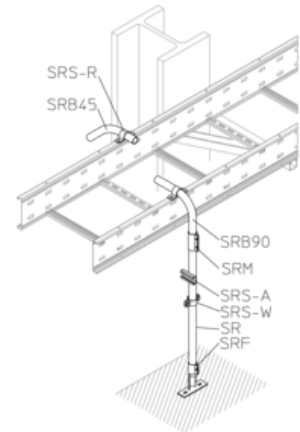
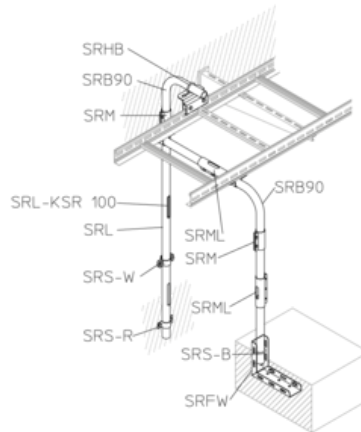
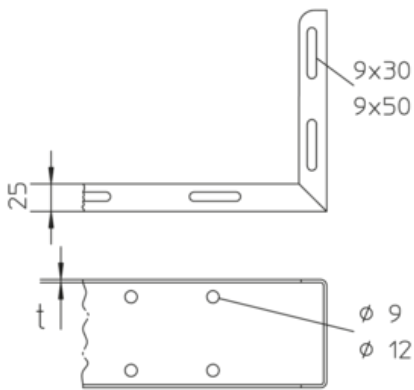


Stainless steel, according to ASTM 31 Ti / AISI 316 L, BS 320S17 / BS 316S11

Product	H	B	L	t	G
SRFW 30-316	100 mm	60 mm	200 mm	2,00 mm	0,52 kg
SRFW 60-316	200 mm	100 mm	400 mm	3,00 mm	1,95 kg

H: height
B: width
L: length
t: material thickness
G: weight

DETAILS / APPLICATIONS





OPTIONAL ACCESSORIES

SRS-B

