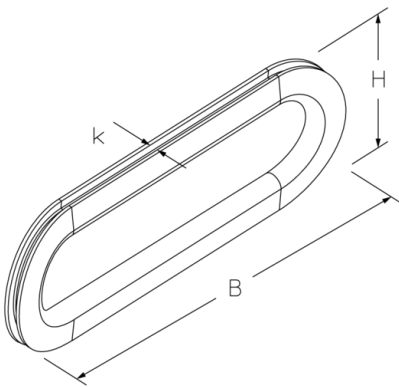


SRL-KSR 100

Edge protection ring

Edge protection ring for perforated protection tubes SRL.



Polyvinyl chloride

Product	H	B	k	G
SRL-KSR 100	28 mm	100 mm	2,5 mm	1,62 kg/100

H: height
B: width
k: clamping range
G: weight

DETAILS / APPLICATIONS

