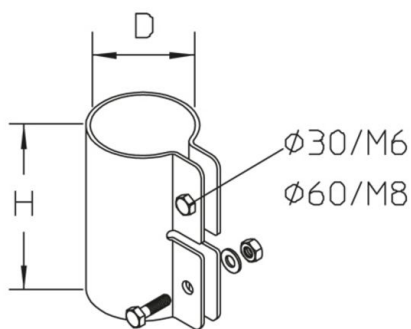


## SRM

clamp socket



Hot-dip galvanized, according to BS 729 (DIN EN ISO 1461)

Product	H	D	t	G
SRM 30F	80 mm	30 mm	1,50 mm	0,15 kg
SRM 60F	115 mm	60 mm	2,50 mm	0,55 kg

Hot-dip galvanized, according to BS 729 (DIN EN ISO 1461)

Product	H	D	t	G
SRM 30-HDG	80 mm	30 mm	1,50 mm	0,15 kg
SRM 60-HDG	115 mm	60 mm	2,50 mm	0,55 kg

Stainless steel, according to ASTM 304 / BS 304 S 3

Product	H	D	t	G
SRM 30E	80 mm	30 mm	1,50 mm	0,15 kg
SRM 60E	115 mm	60 mm	2,50 mm	0,55 kg

Stainless steel, according to ASTM 304 / BS 304 S 3



Product	H	D	t	G
SRM 30-304	80 mm	30 mm	1,50 mm	0,15 kg
SRM 60-304	115 mm	60 mm	2,50 mm	0,55 kg

**Stainless steel, according to ASTM 31 Ti / AISI 316 L, BS 320S17 / BS 316S11**

Product	H	D	t	G
SRM 30-316	80 mm	30 mm	1,50 mm	0,15 kg
SRM 60-316	115 mm	60 mm	2,50 mm	0,55 kg

**H:** height  
**D:** diameter  
**t:** material thickness  
**G:** weight

## DETAILS / APPLICATIONS

