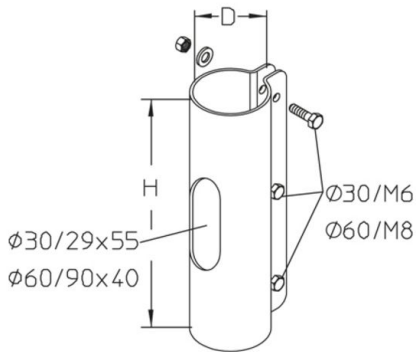


## SRML

elongated slot socket



**Hot-dip galvanized, according to BS 729 (DIN EN ISO 1461)**

Product	H	D	t	G
SRML 60F	230 mm	60 mm	2,50 mm	1,05 kg

**Stainless steel, according to ASTM 304 / BS 304 S 3**

Product	H	D	t	G
SRML 60E	230 mm	60 mm	2,50 mm	1,05 kg

**Hot-dip galvanized, according to BS 729 (DIN EN ISO 1461)**

Product	H	D	t	G
SRML 30-HDG	130 mm	30 mm	1,50 mm	0,20 kg
SRML 60-HDG	230 mm	60 mm	2,50 mm	1,05 kg

**Stainless steel, according to ASTM 304 / BS 304 S 3**

Product	H	D	t	G
SRML 30-304	130 mm	30 mm	1,50 mm	0,2 kg
SRML 60-304	180 mm	60 mm	2,50 mm	1,05 kg



Stainless steel, according to ASTM 31 Ti / AISI 316 L, BS 320S17 / BS 316S11

Product	H	D	t	G
SRML 30-316	130 mm	30 mm	1,50 mm	0,2 kg
SRML 60-316	230 mm	60 mm	2,50 mm	1,05 kg

**H:** height  
**D:** diameter  
**t:** material thickness  
**G:** weight

## DETAILS / APPLICATIONS

