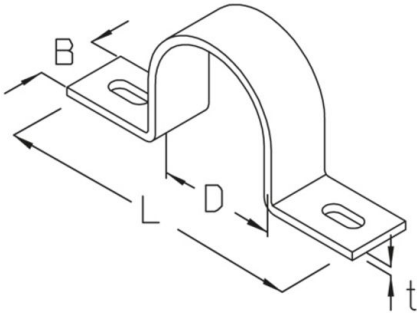


SRS-R
tube clamp



Hot-dip galvanized, according to BS 729 (DIN EN ISO 1461)

Product	B	L	D	t	G
SRS-R 60F	30 mm	160 mm	60 mm	4,00 mm	0,22 kg

Stainless steel, according to ASTM 304 / BS 304 S 3

Product	B	L	D	t	G
SRS-R 60E	30 mm	160 mm	60 mm	4,00 mm	0,22 kg

Hot-dip galvanized, according to BS 729 (DIN EN ISO 1461)

Product	B	L	D	t	G
SRS-R 30-HDG	25 mm	85 mm	31 mm	2,50 mm	0,06 kg
SRS-R 60-HDG	30 mm	160 mm	61 mm	4,00 mm	0,22 kg

Stainless steel, according to ASTM 304 / BS 304 S 3

Product	B	L	D	t	G
SRS-R 30-304	25 mm	85 mm	31 mm	2,50 mm	0,06 kg
SRS-R 60-304	30 mm	160 mm	61 mm	4,00 mm	0,22 kg



Stainless steel, according to ASTM 31 Ti / AISI 316 L, BS 320S17 / BS 316S11

Product	B	L	D	t	G
SRS-R 30-316	25 mm	85 mm	31 mm	2,50 mm	0,06 kg
SRS-R 60-316	30 mm	160 mm	61 mm	4,00 mm	0,22 kg

B: width
L: length
D: diameter
t: material thickness
G: weight

DETAILS / APPLICATIONS

