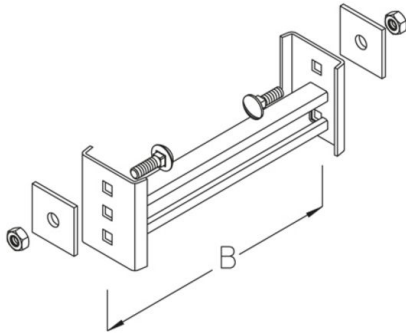


STIS

rung

The product can be used for fire protection. For technical parameters, see National Technical Test Certificates (abPs).



Hot-dip galvanized, according to BS 729 (DIN EN ISO 1461)

Product	B	P _{max}	G
STIS 02F	200 mm	2,5 kN	0,9 kg
incl.:			
2x FRS 10X30F		round-head screw with square, DIN 603	
2x SEM 10F		hexagon-nut, DIN 934	
2x RUS 50-L13F		washer, KHI	
STIS 03F	300 mm	2,5 kN	1,1 kg
incl.:			
2x FRS 10X30F		round-head screw with square, DIN 603	
2x RUS 50-L13F		washer, KHI	
2x SEM 10F		hexagon-nut, DIN 934	
STIS 04F	400 mm	2,5 kN	1,2 kg
incl.:			
2x FRS 10X30F		round-head screw with square, DIN 603	
2x RUS 50-L13F		washer, KHI	
2x SEM 10F		hexagon-nut, DIN 934	
STIS 05F	500 mm	2,5 kN	1,4 kg
incl.:			
2x FRS 10X30F		round-head screw with square, DIN 603	
2x RUS 50-L13F		washer, KHI	
2x SEM 10F		hexagon-nut, DIN 934	
STIS 06F	600 mm	2,5 kN	1,6 kg
incl.:			
2x FRS 10X30F		round-head screw with square, DIN 603	
2x RUS 50-L13F		washer, KHI	
2x SEM 10F		hexagon-nut, DIN 934	
STIS 07F	700 mm	2,5 kN	1,7 kg





Product	B	P _{max}	G
incl.: 2x FRS 10X30F 2x RUS 50-L13F 2x SEM 10F			
		round-head screw with square, DIN 603 washer, KHI hexagon-nut, DIN 934	
STIS 08F	800 mm	2,5 kN	1,9 kg
incl.: 2x FRS 10X30F 2x RUS 50-L13F 2x SEM 10F			
		round-head screw with square, DIN 603 washer, KHI hexagon-nut, DIN 934	
STIS 09F	900 mm	2,5 kN	2,1 kg
incl.: 2x FRS 10X30F 2x RUS 50-L13F 2x SEM 10F			
		round-head screw with square, DIN 603 washer, KHI hexagon-nut, DIN 934	
STIS 10F	1000 mm	2,5 kN	2,2 kg
incl.: 2x FRS 10X30F 2x RUS 50-L13F 2x SEM 10F			
		round-head screw with square, DIN 603 washer, KHI hexagon-nut, DIN 934	
STIS 11F	1100 mm	2,5 kN	2,4 kg
incl.: 2x FRS 10X30F 2x RUS 50-L13F 2x SEM 10F			
		round-head screw with square, DIN 603 washer, KHI hexagon-nut, DIN 934	
STIS 12F	1200 mm	2,5 kN	2,5 kg
incl.: 2x FRS 10X30F 2x RUS 50-L13F 2x SEM 10F			
		round-head screw with square, DIN 603 washer, KHI hexagon-nut, DIN 934	

B: width
P_{max}: Maximum load
G: weight

DETAILS / APPLICATIONS



