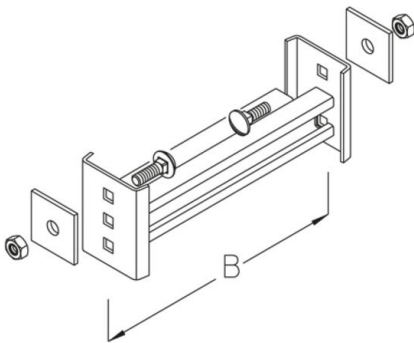


# STISD

rung



Hot-dip galvanized, according to BS 729 (DIN EN ISO 1461)

Product	B	P <sub>max</sub>	G
STISD 02F	200 mm	5,0 kN	1,2 kg
incl.:			
2x FRS 10X30F		round-head screw with square, DIN 603	
2x SEM 10F		hexagon-nut, DIN 934	
2x RUS 50-L13F		washer, KHI	
2x SES 8X16E		hexagon head bolt, DIN 933	
2x SEMS 8E		hexagon-nut with flange, DIN EN 1661	
STISD 03F	300 mm	5,0 kN	1,5 kg
incl.:			
2x FRS 10X30F		round-head screw with square, DIN 603	
2x SEM 10F		hexagon-nut, DIN 934	
2x RUS 50-L13F		washer, KHI	
2x SES 8X16E		hexagon head bolt, DIN 933	
2x SEMS 8E		hexagon-nut with flange, DIN EN 1661	
STISD 04F	400 mm	5,0 kN	1,9 kg
incl.:			
2x FRS 10X30F		round-head screw with square, DIN 603	
2x SEM 10F		hexagon-nut, DIN 934	
2x RUS 50-L13F		washer, KHI	
2x SES 8X16E		hexagon head bolt, DIN 933	
2x SEMS 8E		hexagon-nut with flange, DIN EN 1661	
STISD 05F	500 mm	5,0 kN	2,2 kg
incl.:			
2x FRS 10X30F		round-head screw with square, DIN 603	
2x SEM 10F		hexagon-nut, DIN 934	
2x RUS 50-L13F		washer, KHI	
2x SES 8X16E		hexagon head bolt, DIN 933	
2x SEMS 8E		hexagon-nut with flange, DIN EN 1661	





Product	B	P <sub>max</sub>	G
STISD 06F	600 mm	5,0 kN	2,5 kg
incl.:			
2x FRS 10X30F		round-head screw with square, DIN 603	
2x SEM 10F		hexagon-nut, DIN 934	
2x RUS 50-L13F		washer, KHI	
2x SES 8X16E		hexagon head bolt, DIN 933	
2x SEMS 8E		hexagon-nut with flange, DIN EN 1661	
STISD 07F	700 mm	5,0 kN	2,9 kg
incl.:			
2x FRS 10X30F		round-head screw with square, DIN 603	
2x SEM 10F		hexagon-nut, DIN 934	
2x RUS 50-L13F		washer, KHI	
2x SES 8X16E		hexagon head bolt, DIN 933	
2x SEMS 8E		hexagon-nut with flange, DIN EN 1661	
STISD 08F	800 mm	5,0 kN	3,2 kg
incl.:			
2x FRS 10X30F		round-head screw with square, DIN 603	
2x SEM 10F		hexagon-nut, DIN 934	
2x RUS 50-L13F		washer, KHI	
2x SES 8X16E		hexagon head bolt, DIN 933	
2x SEMS 8E		hexagon-nut with flange, DIN EN 1661	
STISD 09F	900 mm	5,0 kN	3,5 kg
incl.:			
2x FRS 10X30F		round-head screw with square, DIN 603	
2x SEM 10F		hexagon-nut, DIN 934	
2x RUS 50-L13F		washer, KHI	
2x SES 8X16E		hexagon head bolt, DIN 933	
2x SEMS 8E		hexagon-nut with flange, DIN EN 1661	
STISD 10F	1000 mm	5,0 kN	3,9 kg
incl.:			
2x FRS 10X30F		round-head screw with square, DIN 603	
2x SEM 10F		hexagon-nut, DIN 934	
2x RUS 50-L13F		washer, KHI	
2x SES 8X16E		hexagon head bolt, DIN 933	
2x SEMS 8E		hexagon-nut with flange, DIN EN 1661	
STISD 11F	1100 mm	5,0 kN	4,2 kg
incl.:			
2x FRS 10X30F		round-head screw with square, DIN 603	
2x SEM 10F		hexagon-nut, DIN 934	
2x RUS 50-L13F		washer, KHI	
2x SES 8X16E		hexagon head bolt, DIN 933	
2x SEMS 8E		hexagon-nut with flange, DIN EN 1661	
STISD 12F	1200 mm	5,0 kN	4,5 kg



Product	B	$P_{max}$	G
incl.:			
2x FRS 10X30F			round-head screw with square, DIN 603
2x SEM 10F			hexagon-nut, DIN 934
2x RUS 50-L13F			washer, KHI
2x SES 8X16E			hexagon head bolt, DIN 933
2x SEMS 8E			hexagon-nut with flange, DIN EN 1661

**B:** width  
 **$P_{max}$ :** Maximum load  
**G:** weight

## DETAILS / APPLICATIONS

$P_{max} = 5,0 \text{ kN}$

