

STU 62

vertical cable ladder, equal U-profile

Vertical ladder, heavy building class, for both-sided cable load, with continuously three-way perforated side beams, beams made of U-profile 60x40x4 mm, rungs made of profile rail 40x22 mm to be screwed in.

Beams and rungs are delivered not mounted including screws and nuts. This article is available made in material no. 14301 (V2A) stainless steel finish. The cover RD can only be mounted in conjunction with the cover extension STD-A.

Hot-dip galvanized, according to BS 729 (DIN EN ISO 1461)

Product	H	B1	B2	L	P _{max}	G
STU 62-02-3F	3000 mm	24,90 kg				
incl.:						
2x KHU 60-30F			bracket support, heavy, 60x40 mm			
2x KHU 60-30GV			bracket support, heavy, 60x40 mm			
10x STUS 60-02F			rung			
STU 62-03-3F	104 mm	300 mm	300 mm	3000 mm	4,0 kN	26,43 kg
incl.:						
2x KHU 60-30F			bracket support, heavy, 60x40 mm			
2x KHU 60-30GV			bracket support, heavy, 60x40 mm			
10x STUS 60-03F			rung			
STU 62-04-3F	104 mm	400 mm	400 mm	3000 mm	4,0 kN	27,98 kg
incl.:						
2x KHU 60-30F			bracket support, heavy, 60x40 mm			
2x KHU 60-30GV			bracket support, heavy, 60x40 mm			
10x STUS 60-04F			rung			
STU 62-05-3F	104 mm	500 mm	500 mm	3000 mm	4,0 kN	28,81 kg
incl.:						
2x KHU 60-30F			bracket support, heavy, 60x40 mm			
2x KHU 60-30GV			bracket support, heavy, 60x40 mm			
10x STUS 60-05F			rung			
STU 62-06-3F	104 mm	600 mm	600 mm	3000 mm	4,0 kN	31,06 kg
incl.:						
2x KHU 60-30F			bracket support, heavy, 60x40 mm			
2x KHU 60-30GV			bracket support, heavy, 60x40 mm			
10x STUS 60-06F			rung			
STU 62-07-3F	104 mm	700 mm	700 mm	3000 mm	4,0 kN	32,61 kg

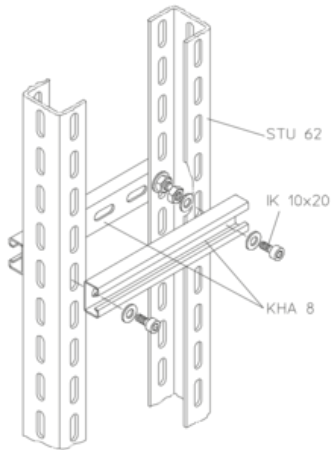




Product	H	B1	B2	L	P _{max}	G
incl.: 2x KHU 60-30F 2x KHU 60-30GV 10x STUS 60-07F						
STU 62-08-3F	104 mm	800 mm	800 mm	3000 mm	4,0 kN	34,15 kg
incl.: 2x KHU 60-30F 2x KHU 60-30GV 10x STUS 60-08F						
STU 62-09-3F	104 mm	900 mm	900 mm	3000 mm	4,0 kN	35,70 kg
incl.: 2x KHU 60-30F 2x KHU 60-30GV 10x STUS 60-09F						
STU 62-10-3F	104 mm	1000 mm	1000 mm	3000 mm	4,0 kN	36,53 kg
incl.: 2x KHU 60-30F 2x KHU 60-30GV 10x STUS 60-10F						
STU 62-11-3F	104 mm	1100 mm	1100 mm	3000 mm	4,0 kN	38,69 kg
incl.: 2x KHU 60-30F 2x KHU 60-30GV 10x STUS 60-11F						
STU 62-12-3F	104 mm	1200 mm	1200 mm	3000 mm	4,0 kN	40,33 kg
incl.: 2x KHU 60-30F 2x KHU 60-30GV 10x STUS 60-12F						
STU 62-02F	104 mm	200 mm	200 mm	6000 mm	4,0 kN	49,80 kg
incl.: 2x KHU 60-60F 20x STUS 60-02F						
STU 62-03F	104 mm	300 mm	300 mm	6000 mm	4,0 kN	52,86 kg
incl.: 2x KHU 60-60F 20x STUS 60-03F						
STU 62-04F	104 mm	400 mm	400 mm	6000 mm	4,0 kN	55,96 kg
incl.: 2x KHU 60-60F 20x STUS 60-04F						



DETAILS / APPLICATIONS



OPTIONAL ACCESSORIES

AC, KHUV 60, STR 50, STR 110, STD-A, ST-RD, BGU 60, BL 4, SU 60

