

Hot-dip galvanized, according to BS 729 (DIN EN ISO 1461)

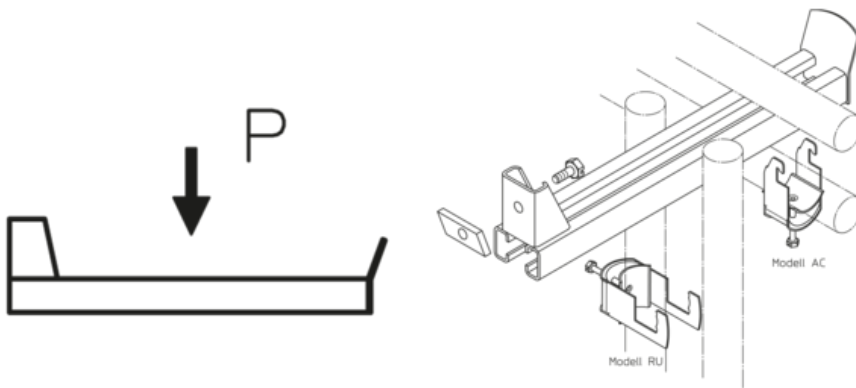
Product	L	P	G
T 20/AM18	200 mm	3 kN	0,5 kg
incl.:			
1x SES 8X20		hexagon head bolt, DIN 933	
1x AMA18 M8F		channel nut, A 7/A 8/A 9	
T 25/AM18	250 mm	2,4 kN	0,58 kg
incl.:			
1x SES 8X20		hexagon head bolt, DIN 933	
1x AMA18 M8F		channel nut, A 7/A 8/A 9	
T 30/AM18	300 mm	2,0 kN	0,66 kg
incl.:			
1x SES 8X20		hexagon head bolt, DIN 933	
1x AMA18 M8F		channel nut, A 7/A 8/A 9	
T 35/AM18	350 mm	1,7 kN	0,74 kg
incl.:			
1x SES 8X20		hexagon head bolt, DIN 933	
1x AMA18 M8F		channel nut, A 7/A 8/A 9	
T 40/AM18	400 mm	1,5 kN	0,84 kg
incl.:			
1x SES 8X20		hexagon head bolt, DIN 933	
1x AMA18 M8F		channel nut, A 7/A 8/A 9	
T 45/AM18	450 mm	1,4 kN	0,93 kg
incl.:			
1x SES 8X20		hexagon head bolt, DIN 933	
1x AMA18 M8F		channel nut, A 7/A 8/A 9	



Product	L	P	G
T 50/AM18	500 mm	1,2 kN	1,00 kg
incl.:			
1x SES 8X20 1x AMA18 M8F		hexagon head bolt, DIN 933 channel nut, A 7/A 8/A 9	
T 60/AM18	600 mm	1,0 kN	1,18 kg
incl.:			
1x SES 8X20 1x AMA18 M8F		hexagon head bolt, DIN 933 channel nut, A 7/A 8/A 9	

**L:** length  
**P:** loading  
**G:** weight

## DETAILS / APPLICATIONS



## OPTIONAL ACCESSORIES

AC, RU

