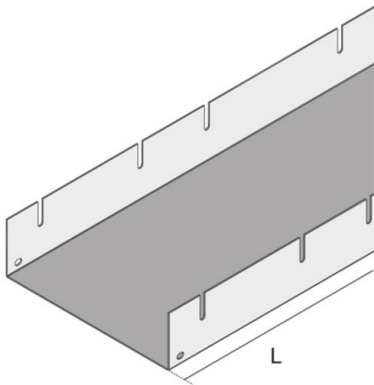


UBK bottom piece

Screed-flush heavy-duty duct made of Sendzimir hot-dip galvanized sheet steel as open duct bottom piece for horizontal leading of cables, with slots as retainers for side profiles.

The screed-flush heavy-duty duct consists of the following parts: 1x heavy-duty duct bottom piece UBK; 3x heavy-duty dummy covers UBKD; 2x side profiles UBKPR with appropriate installation and connection materials. Other dimensions on request.



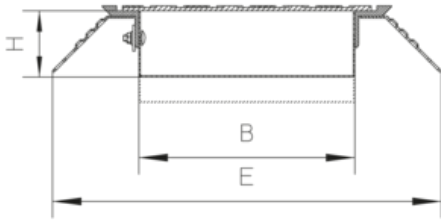
Continuously hot galvanized (Sendzimir process) (DIN EN 10346)

Product	H	B	L	E	G
UBK 100-20S	90 mm	194 mm	3000 mm	450 mm	17,2 kg
UBK 100-30S	90 mm	294 mm	3000 mm	550 mm	21,9 kg
UBK 100-40S	90 mm	394 mm	3000 mm	650 mm	26,9 kg
UBK 135-20S	125 mm	194 mm	3000 mm	450 mm	18,8 kg
UBK 135-30S	125 mm	294 mm	3000 mm	550 mm	25,2 kg
UBK 135-40S	125 mm	394 mm	3000 mm	650 mm	30 kg
UBK 170-20S	160 mm	194 mm	3000 mm	450 mm	23,8 kg
UBK 170-30S	160 mm	294 mm	3000 mm	550 mm	28,5 kg
UBK 170-40S	160 mm	394 mm	3000 mm	650 mm	33,3 kg

H: height
B: width
L: length
E: fitting dimension
G: weight

DETAILS / APPLICATIONS





OPTIONAL ACCESSORIES

UBKV, UBKDB, SNA, UBKD, UBKPR

