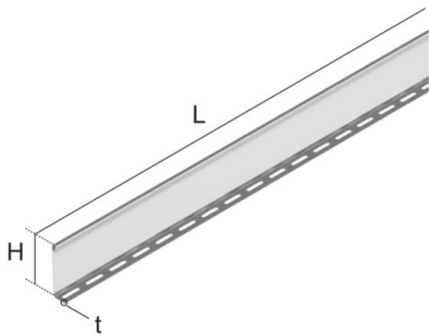


UBKTR

separating strip

Separating strip made of Sendzimir hot-dip galvanized sheet steel as accessory for heavy-duty screed-flush ducts.



Continuously hot galvanized (Sendzimir process) (DIN EN 10346)

Product	H	L	t	G
UBKTR 100S	80 mm	3000 mm	1,00 mm	6,3 kg
UBKTR 135S	115 mm	3000 mm	1,00 mm	8,2 kg
UBKTR 170S	150 mm	3000 mm	1,00 mm	10,1 kg

H: height
L: length
t: material thickness
G: weight

OPTIONAL ACCESSORIES

SNA

