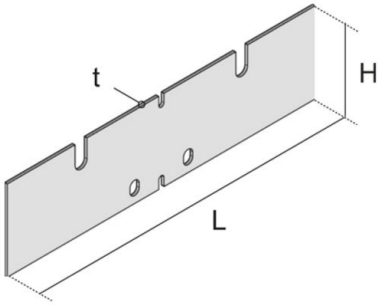


## UBKV connector

Connector made of Sendzimir hot-dip galvanized sheet steel as accessory for heavy-duty screed-flush ducts.



### Continuously hot galvanized (Sendzimir process) (DIN EN 10346)

Product	H	L	t	G
UBKV 100S	60 mm	230 mm	2,00 mm	0,21 kg
incl.:				
2x FRS 8X25	round-head screw with square, DIN 603			
2x SEMS 8	hexagon-nut with flange, DIN EN 1661			
UBKV 135S	95 mm	230 mm	2,00 mm	0,34 kg
incl.:				
2x FRS 8X25	round-head screw with square, DIN 603			
2x SEMS 8	hexagon-nut with flange, DIN EN 1661			
UBKV 170S	130 mm	230 mm	2,00 mm	0,46 kg
incl.:				
2x FRS 8X25	round-head screw with square, DIN 603			
2x SEMS 8	hexagon-nut with flange, DIN EN 1661			

**H:** height  
**L:** length  
**t:** material thickness  
**G:** weight

