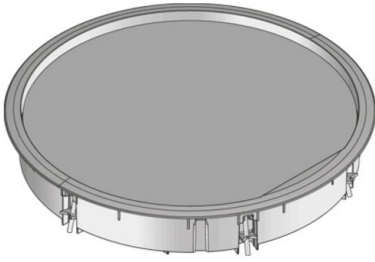


UEB3 R

dummy cover unit made of polyamide, triple, round



Round installation unit made of polyamide with carpet protection frame. As an assembly frame with sheet steel inlay, including a universal set of fastening claws. For the installation into floor boxes, assembly covers and into raised or hollow floor openings. Suitable for rooms with dry-cleaned floor coverings up to 10 mm. Designed for office traffic loads.

material	Cover and frame: PA6, surface matt finished, steel sheet inlay: 3 mm hot-dip galvanized steel plate
type of assembly	Assembly in floor box UBDHB, double or hollow floor openings
application area	dry floor cleaning
protection class	in use IP 20 / not in use IP 30
norm	according to DIN EN 50085
permits	according to VDE / TÜV
loading	including inspection stamp \varnothing 13 / 130 mm: 2 / 3 kN

Polyamide

Product	H	H _{min}	B	E	T	P _{max}	color	IP _n	G
UEB3-R-G	58 mm	63 mm	330 mm	307 mm	10 mm	2 kN	RAL 7011 (iron grey)	IP 30	2,574 kg
incl.:									
6x UDKS3-VR		universal claw for plastic units							
UEB3-R-S	58 mm	63 mm	330 mm	307 mm	10 mm	2 kN	RAL 9011 (graphite black)	IP 30	2,574 kg
incl.:									
6x UDKS3-VR		universal claw for plastic units							

H: height
H_{min}: Minimum installation height
B: width
E: fitting dimension
T: depth



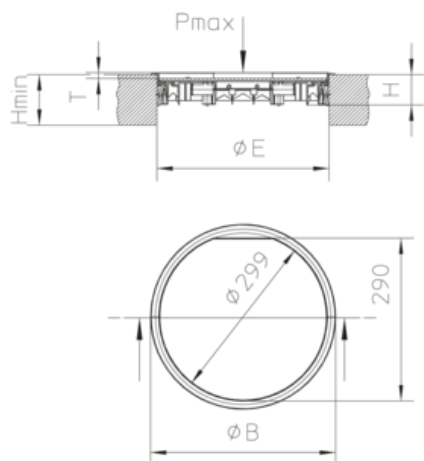
P_{max} : Maximum load

color:

IP_n : IP protection level in unused condition

G: weight

DETAILS / APPLICATIONS



OPTIONAL ACCESSORIES

UDKS3, UEB R, UDKS 40-80, UDKSEB



dry-cleaned

