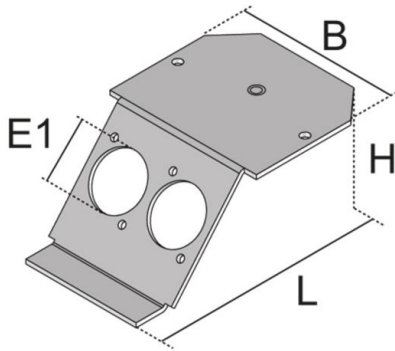


UGET 2 XLR

mounting box assembly carrier audio/video technology

Mounting box assembly carrier made of sendzimir-galvanized sheet steel, black. For the installation into a mounting box UG. To hold flush-type connectors for audio technology type XLR, D-series.



colour	black
material	Sheet steel, galvanized
type of assembly	screwable
application area	in mounting box UG
Recess for manufacturer	Neutrik: D Series, DL Series, DLX Series

Continuously hot galvanized (Sendzimir process) (DIN EN 10346)

Product	H	B	L	E1	color	data jacks	G
UGET-2-XLR 113	42 mm	69 mm	107 mm	23,6 mm	Schwarz (ähnlich RAL 9011)	2	0,11 kg
incl.:							
2x BLS 2.9X13					tapping screw		
2x BLS 4.8X9.5					tapping screw		

H: height
B: width
L: length
E1: fitting dimension
color:
data jacks: Maximum number of installable data jacks
G: weight

OPTIONAL ACCESSORIES

UG



