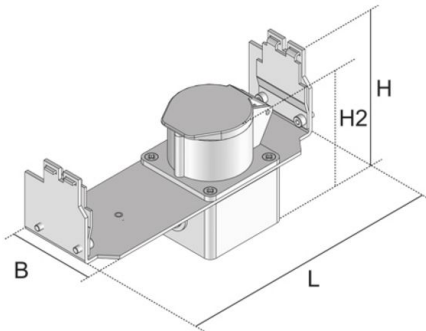


UGET CEE

device carrier CEE socket



Device carrier made of galvanized sheet steel with CEE socket and fastening clamps for installation into an installation unit. Central assembly instead of a mounting box. The use of an angled connector is recommended. Optional registering extension.

suitable for centered installation at appropriate registering leads

material	Device carrier: sheet steel galvanized, Socket: plastic PA 6
type of assembly	registering into installation units
colour	Socket: casing light grey, cover red
norm	DIN EN 60309, DIN EN 50085
permits	according to VDE / TÜV

Continuously hot galvanized (Sendzimir process) (DIN EN 10346)

Product	H	H2	H _{min}	B	L	G
UGET-CEE16 226	122 mm	115 mm	185 mm	75 mm	236 mm	0,9 kg
UGET-CEE32 226	122 mm	120 mm	210 mm	75 mm	236 mm	0,96 kg

H: height
H2: height
H_{min}: Minimum installation height
B: width
L: length
G: weight

OPTIONAL ACCESSORIES

UGEARL



