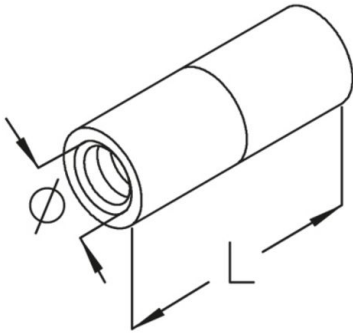


## VM

rod coupling

The product can be used for fire protection. For technical parameters, see National Technical Test Certificates (abPs).



**galvanized, according to DIN EN ISO 19598 / DIN EN ISO 2081**

Product	L	Ø	G
VM M8	30 mm	8 mm	1,1 kg/100
VM M10	30 mm	10 mm	1,4 kg/100
VM M12	30 mm	12 mm	1,7 kg/100

**Hot-dip galvanized, according to BS 729 (DIN EN ISO 1461)**

Product	L	Ø	G
VM M10F	30 mm	10 mm	1,4 kg/100
VM M12F	30 mm	12 mm	1,7 kg/100

**Stainless steel, according to ASTM 304 / BS 304 S 3**

Product	L	Ø	G
VM M8E	30 mm	8 mm	1,2 kg/100
VM M10E	30 mm	10 mm	1,5 kg/100
VM M12E	30 mm	12 mm	2,4 kg/100

L: length





Ø: diameter  
G: weight

