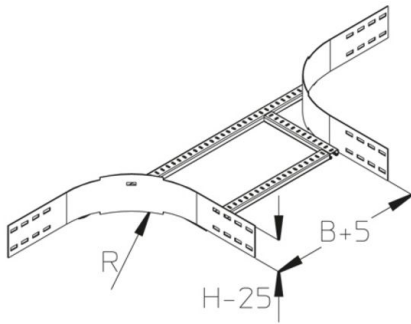


WPBP 100

wide-span attachment branch, height = 100 mm

Welded construction. Formed components must be supported at all sides. The following radii are available on request: 300 mm, 600 mm, 900 mm.



Hot-dip galvanized, according to BS 729 (DIN EN ISO 1461)

Product	H	B	R	G
WPBP10-20-45-HDG	100 mm	200 mm	450 mm	8,68 kg
incl.:				
8x KLS 10X20-HDG		clamp fastening set		
WPBP10-30-45-HDG	100 mm	300 mm	450 mm	9,08 kg
incl.:				
8x KLS 10X20-HDG		clamp fastening set		
WPBP10-40-45-HDG	100 mm	400 mm	450 mm	9,44 kg
incl.:				
8x KLS 10X20-HDG		clamp fastening set		
WPBP10-45-45-HDG	100 mm	450 mm	450 mm	9,62 kg
incl.:				
8x KLS 10X20-HDG		clamp fastening set		
WPBP10-50-45-HDG	100 mm	500 mm	450 mm	9,80 kg
incl.:				
8x KLS 10X20-HDG		clamp fastening set		
WPBP10-60-45-HDG	100 mm	600 mm	450 mm	10,16 kg
incl.:				
8x KLS 10X20-HDG		clamp fastening set		
WPBP10-70-45-HDG	100 mm	700 mm	450 mm	10,52 kg
incl.:				
8x KLS 10X20-HDG		clamp fastening set		
WPBP10-75-45-HDG	100 mm	750 mm	450 mm	10,70 kg





Product	H	B	R	G
incl.: 8x KLS 10X20-HDG				
			clamp fastening set	
WPBP10-80-45-HDG	100 mm	800 mm	450 mm	10,88 kg
incl.: 8x KLS 10X20-HDG				
			clamp fastening set	
WPBP10-90-45-HDG	100 mm	900 mm	450 mm	11,24 kg
incl.: 8x KLS 10X20-HDG				
			clamp fastening set	
WPBP10-100-45-HDG	100 mm	1000 mm	450 mm	11,60 kg
incl.: 8x KLS 10X20-HDG				
			clamp fastening set	

Stainless steel, according to ASTM 304 / BS 304 S 3

Product	H	B	R	G
WPBP10-20-45-304	100 mm	200 mm	450 mm	8,68 kg
incl.: 8x KLS 10X20-304				
			clamp fastening set	
WPBP10-30-45-304	100 mm	300 mm	450 mm	9,08 kg
incl.: 8x KLS 10X20-304				
			clamp fastening set	
WPBP10-40-45-304	100 mm	400 mm	450 mm	9,48 kg
incl.: 8x KLS 10X20-304				
			clamp fastening set	
WPBP10-45-45-304	100 mm	450 mm	450 mm	9,62 kg
incl.: 8x KLS 10X20-304				
			clamp fastening set	
WPBP10-50-45-304	100 mm	500 mm	450 mm	9,80 kg
incl.: 8x KLS 10X20-304				
			clamp fastening set	
WPBP10-60-45-304	100 mm	600 mm	450 mm	10,18 kg
incl.: 8x KLS 10X20-304				
			clamp fastening set	
WPBP10-70-45-304	100 mm	700 mm	450 mm	10,52 kg





Product	H	B	R	G
incl.: 8x KLS 10X20-304				
			clamp fastening set	
WPBP10-75-45-304	100 mm	750 mm	450 mm	10,70 kg
incl.: 8x KLS 10X20-304				
			clamp fastening set	
WPBP10-80-45-304	100 mm	800 mm	450 mm	10,88 kg
incl.: 8x KLS 10X20-304				
			clamp fastening set	
WPBP10-90-45-304	100 mm	900 mm	450 mm	11,24 kg
incl.: 8x KLS 10X20-304				
			clamp fastening set	
WPBP10-100-45-304	100 mm	1000 mm	450 mm	11,60 kg
incl.: 8x KLS 10X20-304				
			clamp fastening set	

Stainless steel, according to ASTM 31 Ti / AISI 316 L, BS 320S17 / BS 316S11

Product	H	B	R	G
WPBP10-20-45-316	100 mm	200 mm	450 mm	8,68 kg
incl.: 8x KLS 10X20-316				
			clamp fastening set	
WPBP10-30-45-316	100 mm	300 mm	450 mm	9,08 kg
incl.: 8x KLS 10X20-316				
			clamp fastening set	
WPBP10-40-45-316	100 mm	400 mm	450 mm	9,48 kg
incl.: 8x KLS 10X20-316				
			clamp fastening set	
WPBP10-45-45-316	100 mm	450 mm	450 mm	9,62 kg
incl.: 8x KLS 10X20-316				
			clamp fastening set	
WPBP10-50-45-316	100 mm	500 mm	450 mm	9,80 kg
incl.: 8x KLS 10X20-316				
			clamp fastening set	
WPBP10-60-45-316	100 mm	600 mm	450 mm	10,18 kg



Product	H	B	R	G
incl.: 8x KLS 10X20-316				
			clamp fastening set	
WPBP10-70-45-316	100 mm	700 mm	450 mm	10,52 kg
incl.: 8x KLS 10X20-316				
			clamp fastening set	
WPBP10-75-45-316	100 mm	750 mm	450 mm	10,70 kg
incl.: 8x KLS 10X20-316				
			clamp fastening set	
WPBP10-80-45-316	100 mm	800 mm	450 mm	10,88 kg
incl.: 8x KLS 10X20-316				
			clamp fastening set	
WPBP10-90-45-316	100 mm	900 mm	450 mm	11,24 kg
incl.: 8x KLS 10X20-316				
			clamp fastening set	
WPBP10-100-45-316	100 mm	1000 mm	450 mm	11,60 kg
incl.: 8x KLS 10X20-316				
			clamp fastening set	

H: height
B: width
R: radius
G: weight

DETAILS / APPLICATIONS

