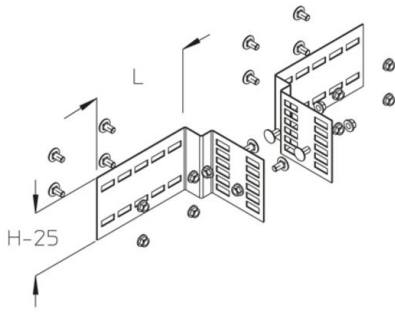


## WPCHV 150

wide-span connector, horizontal-vertical, height = 150 mm



Hot-dip galvanized, according to BS 729 (DIN EN ISO 1461)

Product	H	L	G
WPCHV15-HDG	150 mm	232 mm	1,85 kg
incl.:			
12x KLS 10X20-HDG		clamp fastening set	

Stainless steel, according to ASTM 304 / BS 304 S 3

Product	H	L	G
WPCHV15-304	150 mm	232 mm	1,76 kg
incl.:			
12x KLS 10X20-304		clamp fastening set	

Stainless steel, according to ASTM 31 Ti / AISI 316 L, BS 320S17 / BS 316S11

Product	H	L	G
WPCHV15-316	150 mm	232 mm	1,78 kg
incl.:			
12x KLS 10X20-316		clamp fastening set	

**H:** height





**L:** length  
**G:** weight

