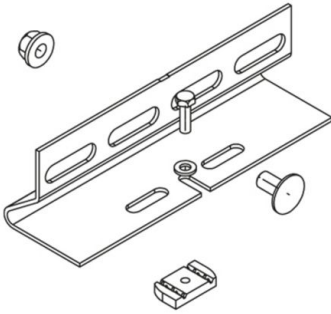


## WPF-C

flange mounting clamp (C-profiles)



Hot-dip galvanized, according to BS 729 (DIN EN ISO 1461)

Product	G
WPF-C-HDG	0,53 kg
incl.:	
1x KLS 10X20-HDG	clamp fastening set
1x SES 6X20-304	hexagon head bolt, DIN 933
1x AM22 M6-HDG	channel nut, A 41, KHA 41, KHAL 41

Stainless steel, according to ASTM 304 / BS 304 S 3

Product	G
WPF-C-304	0,52 kg
incl.:	
1x KLS 10X20-304	clamp fastening set
1x SES 6X20-304	hexagon head bolt, DIN 933
1x AM22 M6-316	channel nut, A 41, KHA 41, KHAL 41

Stainless steel, according to ASTM 31 Ti / AISI 316 L, BS 320S17 / BS 316S11

Product	G
WPF-C-316	0,52 kg



Product

G

incl.:

1x KLS 10X20-316  
1x AM22 M6-316

clamp fastening set  
channel nut, A 41, KHA 41, KHAL 41

**G:** weight

## DETAILS / APPLICATIONS

