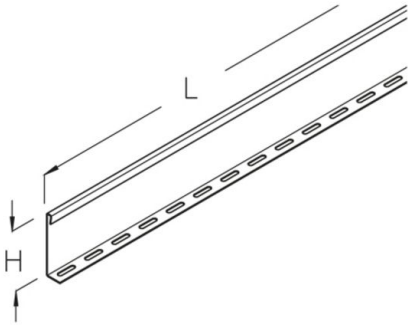


WPS 100

wide-span separating strip, height = 50 mm



Hot-dip galvanized, according to BS 729 (DIN EN ISO 1461)

Product	H	L	G
WPS10-HDG	50 mm	3000 mm	2,12 kg
incl.:			
3x FRSV 6X12-304	round-head screw with short square, DIN 603		
3x SEMS 6-304	hexagon-nut with flange, DIN EN 1661		

Stainless steel, according to ASTM 304 / BS 304 S 3

Product	H	L	G
WPS10-304	50 mm	3000 mm	1,96 kg
incl.:			
3x FRSV 6X12-304	round-head screw with short square, DIN 603		
3x SEMS 6-304	hexagon-nut with flange, DIN EN 1661		

Stainless steel, according to ASTM 31 Ti / AISI 316 L, BS 320S17 / BS 316S11

Product	H	L	G
WPS10-316	50 mm	3000 mm	1,96 kg
incl.:			
3x FRSV 6X12-316	round-head screw with short square, DIN 603		
3x SEM 6-316	hexagon-nut, DIN 934		



H: height
L: length
G: weight

DETAILS / APPLICATIONS

