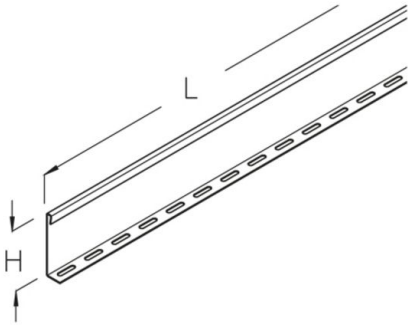


## WPS 150

wide-span separating strip, height = 100 mm



### Hot-dip galvanized, according to BS 729 (DIN EN ISO 1461)

| Product          | H   | L       | G       |
|------------------|---|---------|---------|
| WPS15-HDG        | 100 mm                                      | 3000 mm | 3,52 kg |
| incl.:           |   |         |         |
| 3x FRSV 6X12-304 | round-head screw with short square, DIN 603 |         |         |
| 3x SEMS 6-304    | hexagon-nut with flange, DIN EN 1661        |         |         |

### Stainless steel, according to ASTM 304 / BS 304 S 3

| Product          | H   | L       | G       |
|------------------|---|---------|---------|
| WPS15-304        | 100 mm                                      | 3000 mm | 3,58 kg |
| incl.:           |   |         |         |
| 3x FRSV 6X12-304 | round-head screw with short square, DIN 603 |         |         |
| 3x SEMS 6-304    | hexagon-nut with flange, DIN EN 1661        |         |         |

### Stainless steel, according to ASTM 31 Ti / AISI 316 L, BS 320S17 / BS 316S11

| Product          | H   | L       | G       |
|------------------|---|---------|---------|
| WPS15-316        | 100 mm                                      | 3000 mm | 3,60 kg |
| incl.:           |   |         |         |
| 3x FRSV 6X12-316 | round-head screw with short square, DIN 603 |         |         |
| 3x SEM 6-316     | hexagon-nut, DIN 934                        |         |         |



**H:** height  
**L:** length  
**G:** weight

## DETAILS / APPLICATIONS

