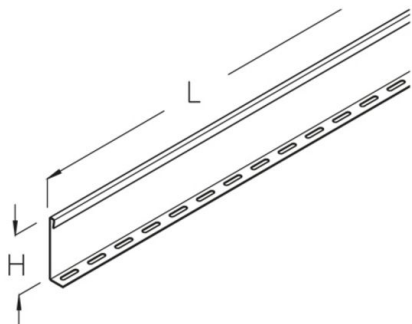


WPS 60

wide-span separating strip, height = 33 mm



Hot-dip galvanized, according to BS 729 (DIN EN ISO 1461)

Product	H	L	G
WPS06-HDG	33 mm	3000 mm	1,70 kg
incl.:			
3x FRSV 6X12-304	round-head screw with short square, DIN 603		
3x SEMS 6-304	hexagon-nut with flange, DIN EN 1661		

H: height

L: length

G: weight

