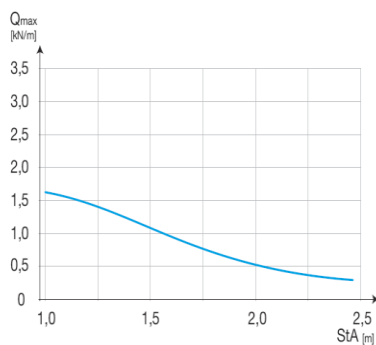
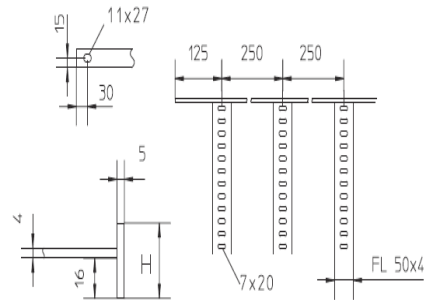
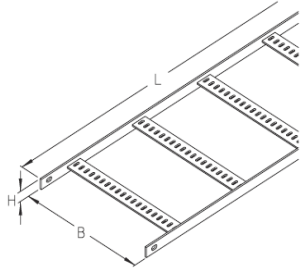


Ship ladder type SKL is specifically designed for the support of cables in chemical and petrochemical plants, in industrial buildings, in ships and platforms.

Height 30 mm – Hot dip galvanised



The ship ladder is standard made as a welded construction. After manufacturing the galvanizing takes place according to ISO 1461.

The beams of the ship ladder are made of strip 30 mm x 5 mm and the rungs 50 mm x 4 mm. The flat rungs are perforated with holes 20 mm x 7 mm. Rung distance is 250 mm. The straight length is connected by spliceplates with a length of 120mm. The splice plate will be delivered with bolts, nuts and washers M10. In case of changes of direction, a vertical connector with a length of 180mm is applicable. The ship ladder program is completed with the necessary fittings. The fittings have the same material and dimensions as the ship ladder.

Both, ship ladder and fittings are marked with the manufacturers trademark.

Standard Width

- 75, 100, 150, 200, 250, 300, 400, 500mm, standard length 3000 mm.

Safe working load support distance:

Equally divided loading capacity

0,3	kN/m	supportdistance	2500 mm
0,5	kN/m	supportdistance	2000 mm
1,1	kN/m	supportdistance	1500 mm
1,6	kN/m	supportdistance	1000 mm

Bracketclamp

The ship ladder according to this specification will be mounted with a bracketclamp. This bracketclamp has the dimension H27xB31xL40 and is provided with a hole of 7 or 11mm.

The shipladder is GL listed (certificate number 61065-13HH)



Wide span cable ladders are never to be used as walkways.



Fittings have to be supported on all sides in order to guarantee the load capacity of the system.