

Cable trays

| | |
|-----------------------------------------|---------|
| Cable trays | B03-B16 |
| Fittings | B17-B40 |
| Accessories of cable trays | B41-B50 |
| Accessories of cable installation trays | B51-B53 |
| Cover | B54-B64 |



B

Numeric index

Cable trays

A

AHB suspension-bow [B52](#)
KSB edge protection strip [B50](#)
KSR cable protection ring [B52](#)

K

KZF cold zinc paint [B50](#)
KZS cold zinc spray [B50](#)

M

MKB adhesive metal strip [B64](#)
MP-RG assembly plate [B50](#)

R

R 110 cable tray [B11](#)
R 35 cable tray [B03](#)
R 60 cable tray [B04](#)
R 85 cable tray [B09](#)
RA 110 cable tray branch-piece, height=110 mm [B31](#)
RA 35 cable tray branch-piece, height=35 mm [B30](#)
RA 60 cable tray branch-piece, height=60 mm [B29](#)
RA 85 cable tray branch-piece, height=85 mm [B30](#)
RAA 110 cable tray attachment branch-piece, height=110 mm [B28](#)
RAA 35 cable tray attachment branch-piece, height=35 mm [B27](#)
RAA 60 cable tray attachment branch-piece, height=60 mm [B27](#)
RAA 85 cable tray attachment branch-piece, height=85 mm [B28](#)
RAAD cable tray attachment branch-piece cover [B60](#)
RAADR cable tray attachment branch-piece cover with bar lock [B60](#)
RAB 110 cable tray closing panel, height=110 mm [B43](#)
RAB 35 cable tray closing panel, height=35 mm [B41](#)
RAB 60 cable tray closing panel, height=60 mm [B41](#)
RAB 85 cable tray closing panel, height=85 mm [B42](#)
RAD cable tray branch-piece cover [B61](#)
RADR cable tray branch-piece cover with bar lock [B61](#)
RAE 110 cable tray attachment corner, height=110 mm [B26](#)
RAE 60 cable tray attachment corner, height=60 mm [B26](#)
RAED cable tray attachment corner cover [B58](#)
RB 110 cable tray bend, height=110 mm [B20](#)
RB 35 cable tray bend, height=35 mm [B17](#)
RB 60 cable tray bend, height=60 mm [B18](#)
RB 85 cable tray bend, height=85 mm [B19](#)
RB45 110 cable tray bend, height=110 mm [B25](#)
RB45 60 cable tray bend, height=60 mm [B24](#)
RB45 85 cable tray bend, height=85 mm [B25](#)
RBD cable tray bend cover [B57](#)
RBD45 cable tray bend cover [B59](#)
RBDR cable tray bend cover with bar lock [B58](#)
RBDR45 cable tray bend cover with bar lock [B59](#)
RBV 35 cable tray bend, variable, height=35 mm [B21](#)
RBV 60 cable tray bend, variable, height=60 mm [B22](#)
RBV 85 cable tray bend, variable, height=85 mm [B22](#)
RD cable tray cover [B54](#)
RDKL 110 cable tray cover clamp [B57](#)
RDKL 60 cable tray cover clamp [B56](#)
RDR cable tray cover with bar lock [B55](#)
RDS cable tray, heavy [B56](#)
RDSR cable tray cover with bar lock, heavy [B56](#)
RD-SW cable tray storm protection angle [B57](#)
REB cable tray end-plate [B36](#), [B44](#)
RG 110 cable tray [B13](#)
RG 35 cable tray [B03](#)
RG 60 cable tray [B07](#)
RG 85 cable tray [B09](#)
RGL 60 cable tray [B06](#)
RGS 110 cable tray [B14](#)
RGS 60 cable tray [B08](#)
RGS 85 cable tray [B10](#)
RGV 110 cable tray coupler, height=110 mm [B46](#)

RGV 35 cable tray coupler, height=35 mm [B45](#)
RGV 60 cable tray coupler, height=60 mm [B45](#)
RGV 85 cable tray coupler, height=85 mm [B46](#)
RGVS cable tray snap coupler [B46](#)
RGVST RGVS assembly tool [B47](#)
RI 60 cable installation tray, height=60 mm [B15](#)
RIA 60 cable installation tray branch, height=60 mm [B32](#)
RIADS cable installation tray branch cover, heavy [B32](#)
RIB 60 cable installation tray bend, height=60 mm [B32](#)
RIBDS cable installation tray bend cover, heavy [B33](#)
RID cable installation tray cover [B51](#)
RIDR cable installation tray cover with bar lock [B52](#)
RIS 60 cable installation tray heavy, height=60 mm [B16](#)
RIV 60 cable tray coupler, height=60 mm [B51](#)
RK 110 cable tray crossover, height=110 mm [B35](#)
RK 35 cable tray crossover, height=35 mm [B33](#)
RK 60 cable tray crossover, height=60 mm [B34](#)
RK 85 cable tray crossover, height=85 mm [B34](#)
RKD cable tray cross-piece cover [B62](#)
RKDR cable tray cross-piece cover with bar lock [B62](#)
RR 110 cable tray reducer, height=110 mm [B39](#)
RR 35 cable tray reducer, height=35 mm [B38](#)
RR 60 cable tray reducer, height=60 mm [B38](#)
RR 85 cable tray reducer, height=85 mm [B39](#)
RRD cable tray reducer cover [B63](#)
RRDR cable tray reducer cover with bar lock [B63](#)
RS 110 cable tray [B12](#)
RS 60 cable tray [B05](#)
RTR 110 cable tray barrier strip, height=110 mm [B49](#)
RTR 35 cable tray barrier strip, height=35 mm [B48](#)
RTR 60 cable tray barrier strip, height=60 mm [B48](#)
RTR 85 cable tray barrier strip, height=85 mm [B49](#)
RVB 110 cable tray vertical bend, height=110 mm [B37](#)
RVB 35 cable tray vertical bend, height=35 mm [B36](#)
RVB 60 cable tray vertical bend, height=60 mm [B36](#)
RVB 85 cable tray vertical bend, height=85 mm [B37](#)

S

SRI 60 protection end cap [B53](#)

V

VB connectio [B47](#)

Cable trays

R 35 cable tray, not perforated, height=35 mm

For a load diagram, see the chapter planning.
For assembly instructions, see the chapter assembly.

| article number | H mm | B mm | L mm | A cm ² | Q _{sk} kN/m | G kg |
|----------------|---------|---------|---------|----------------------|-------------------------|---------|
| S | | | | | | |
| R 35-05S | 35 | 50 | 3000 | 15 | 0,02 | 2,90 |
| R 35-10S | 35 | 100 | 3000 | 31 | 0,05 | 3,70 |
| R 35-20S | 35 | 200 | 3000 | 63 | 0,10 | 5,50 |
| R 35-30S | 35 | 300 | 3000 | 96 | 0,15 | 7,30 |
| F | | | | | | |
| R 35-05F | 35 | 50 | 3000 | 15 | 0,02 | 3,20 |
| R 35-10F | 35 | 100 | 3000 | 31 | 0,05 | 4,20 |
| R 35-20F | 35 | 200 | 3000 | 63 | 0,10 | 6,20 |
| R 35-30F | 35 | 300 | 3000 | 96 | 0,15 | 8,10 |

accessories optional:

| | | |
|---------------|--------------------------------------------------|------------|
| RB 35 | cable tray bend, height=35 mm | (page B17) |
| RAA 35 | cable tray attachment branch-piece, height=35 mm | (page B27) |
| RA 35 | cable tray branch-piece, height=35 mm | (page B30) |
| RK 35 | cable tray crossover, height=35 mm | (page B33) |
| RVB 35 | cable tray vertical bend, height=35 mm | (page B36) |
| RR 35 | cable tray reducer, height=35 mm | (page B38) |
| RAB 35 | cable tray closing panel, height=35 mm | (page B41) |
| REB | cable tray end-plate | (page B44) |
| RGV 35 | cable tray coupler, height=35 mm | (page B45) |
| VB | connection plate | (page B47) |
| RTR 35 | cable tray barrier strip, height=35 mm | (page B48) |
| KLR | fixing set | (page H33) |

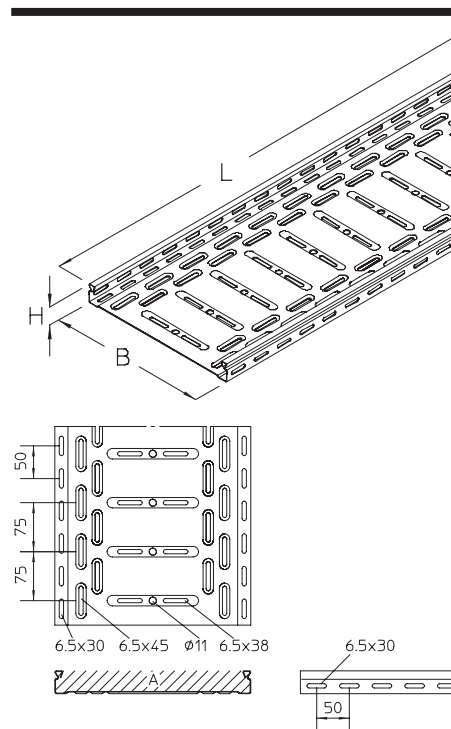
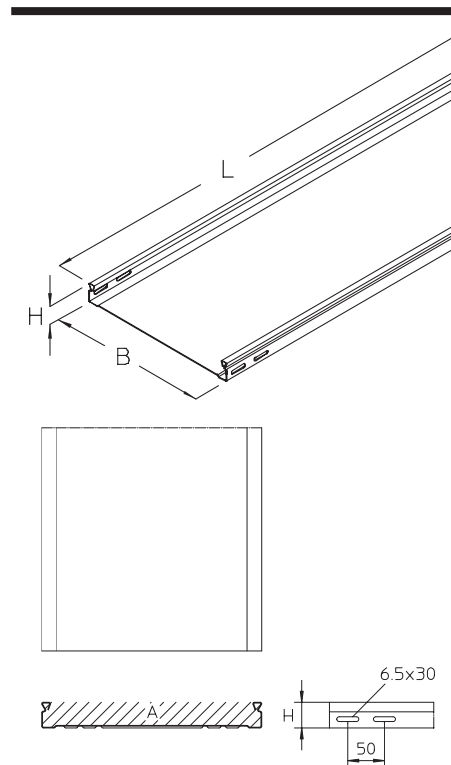
RG 35 cable tray, perforated, height=35 mm

For a load diagram, see the chapter planning.
For assembly instructions, see the chapter assembly.

| article number | H mm | B mm | L mm | A cm ² | Q _{sk} kN/m | G kg |
|----------------|---------|---------|---------|----------------------|-------------------------|---------|
| S | | | | | | |
| RG 35-05S | 35 | 50 | 3000 | 15 | 0,02 | 2,60 |
| RG 35-10S | 35 | 100 | 3000 | 31 | 0,05 | 3,30 |
| RG 35-20S | 35 | 200 | 3000 | 63 | 0,10 | 5,10 |
| RG 35-30S | 35 | 300 | 3000 | 96 | 0,15 | 6,70 |
| F | | | | | | |
| RG 35-05F | 35 | 50 | 3000 | 15 | 0,02 | 2,90 |
| RG 35-10F | 35 | 100 | 3000 | 31 | 0,05 | 3,50 |
| RG 35-20F | 35 | 200 | 3000 | 63 | 0,10 | 5,50 |
| RG 35-30F | 35 | 300 | 3000 | 96 | 0,15 | 7,20 |

accessories optional:

| | | |
|---------------|--------------------------------------------------|------------|
| RB 35 | cable tray bend, height=35 mm | (page B17) |
| RAA 35 | cable tray attachment branch-piece, height=35 mm | (page B27) |
| RA 35 | cable tray branch-piece, height=35 mm | (page B30) |
| RK 35 | cable tray crossover, height=35 mm | (page B33) |
| RVB 35 | cable tray vertical bend, height=35 mm | (page B36) |
| RR 35 | cable tray reducer, height=35 mm | (page B38) |
| RAB 35 | cable tray closing panel, height=35 mm | (page B41) |
| REB | cable tray end-plate | (page B44) |
| RGV 35 | cable tray coupler, height=35 mm | (page B45) |
| VB | connection plate | (page B47) |
| RTR 35 | cable tray barrier strip, height=35 mm | (page B48) |
| KLR | fixing set | (page H33) |



Cable trays

R 60 cable tray, not perforated, height=60 mm

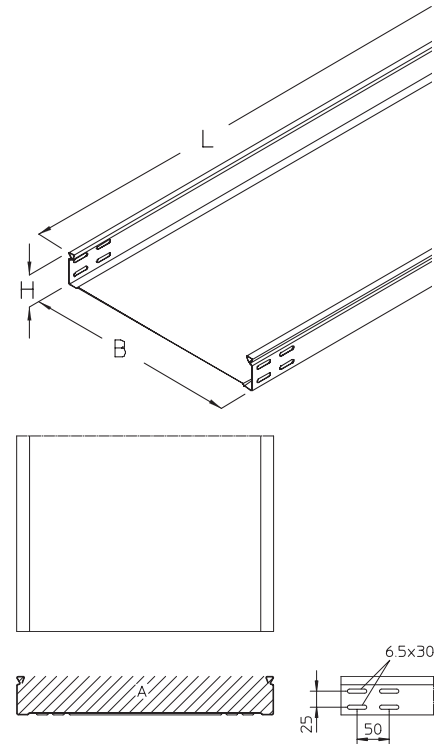
This article is also available made in stainless steel finish, material No. 1.4571 / 1.4404 (V4A).
For a load diagram, see the chapter planning.
For assembly instructions, see the chapter assembly.



| article number | H mm | B mm | L mm | A cm ² | Q _{sk} kN/m | G kg |
|----------------|---------|---------|---------|----------------------|-------------------------|---------|
| S | | | | | | |
| R 60-05S | 60 | 50 | 3000 | 27 | 0,04 | 3,70 |
| R 60-10S | 60 | 100 | 3000 | 56 | 0,09 | 4,60 |
| R 60-20S | 60 | 200 | 3000 | 113 | 0,17 | 6,40 |
| R 60-30S | 60 | 300 | 3000 | 171 | 0,26 | 8,10 |
| R 60-40S | 60 | 400 | 3000 | 228 | 0,34 | 11,60 |
| R 60-50S | 60 | 500 | 3000 | 286 | 0,43 | 15,50 |
| R 60-60S | 60 | 600 | 3000 | 343 | 0,52 | 17,90 |
| F | | | | | | |
| R 60-05F | 60 | 50 | 3000 | 27 | 0,04 | 4,20 |
| R 60-10F | 60 | 100 | 3000 | 56 | 0,09 | 5,20 |
| R 60-20F | 60 | 200 | 3000 | 113 | 0,17 | 7,10 |
| R 60-30F | 60 | 300 | 3000 | 171 | 0,26 | 9,10 |
| R 60-40F | 60 | 400 | 3000 | 228 | 0,34 | 12,80 |
| R 60-50F | 60 | 500 | 3000 | 286 | 0,43 | 16,90 |
| R 60-60F | 60 | 600 | 3000 | 343 | 0,52 | 19,50 |
| E | | | | | | |
| R 60-05E | 60 | 50 | 3000 | 27 | 0,04 | 4,00 |
| R 60-10E | 60 | 100 | 3000 | 56 | 0,09 | 4,90 |
| R 60-20E | 60 | 200 | 3000 | 113 | 0,17 | 6,80 |
| R 60-30E | 60 | 300 | 3000 | 171 | 0,26 | 8,70 |
| R 60-40E | 60 | 400 | 3000 | 228 | 0,34 | 10,60 |
| R 60-50E | 60 | 500 | 3000 | 286 | 0,43 | 15,60 |
| R 60-60E | 60 | 600 | 3000 | 343 | 0,52 | 18,00 |

accessories optional:

| | | |
|----------------|--------------------------------------------------|------------|
| RB 60 | cable tray bend, height=60 mm | (page B18) |
| RB45 60 | cable tray bend, height=60 mm | (page B24) |
| RAE 60 | cable tray attachment corner, height=60 mm | (page B26) |
| RAA 60 | cable tray attachment branch-piece, height=60 mm | (page B27) |
| RA 60 | cable tray branch-piece, height=60 mm | (page B29) |
| RK 60 | cable tray crossover, height=60 mm | (page B34) |
| RVB 60 | cable tray vertical bend, height=60 mm | (page B36) |
| RR 60 | cable tray reducer, height=60 mm | (page B38) |
| RAB 60 | cable tray closing panel, height=60 mm | (page B41) |
| REB | cable tray end-plate | (page B44) |
| RGV 60 | cable tray coupler, height=60 mm | (page B45) |
| RGVS | cable tray snap coupler | (page B46) |
| VB | connection plate | (page B47) |
| RTR 60 | cable tray barrier strip, height=60 mm | (page B48) |
| KLR | fixing set | (page H33) |



Cable trays

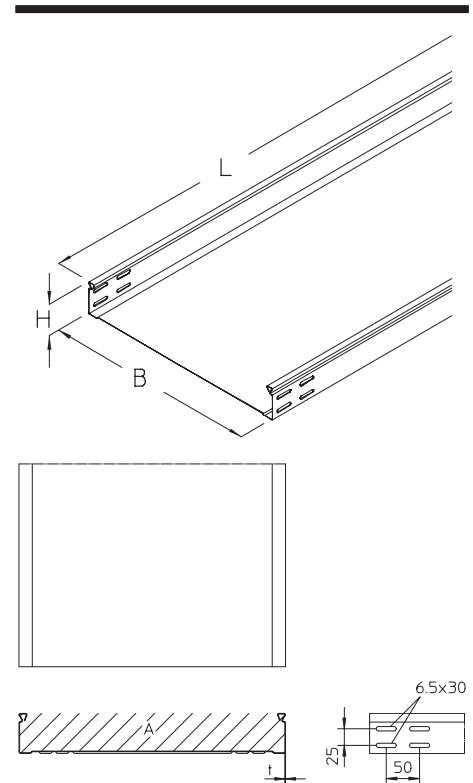
RS 60 cable tray, heavy, not perforated, height=60 mm

For a load diagram, see the chapter planning.
For assembly instructions, see the chapter assembly.

| article number | H mm | B mm | L mm | t mm | A cm ² | Q _{SK} kN/m | G kg |
|----------------|---------|---------|---------|---------|----------------------|-------------------------|---------|
| S | | | | | | | |
| RS 60-10S | 60 | 100 | 3000 | 1,5 | 56 | 0,09 | 9,00 |
| RS 60-20S | 60 | 200 | 3000 | 1,5 | 113 | 0,17 | 12,60 |
| RS 60-30S | 60 | 300 | 3000 | 1,5 | 171 | 0,26 | 16,10 |
| RS 60-40S | 60 | 400 | 3000 | 1,5 | 228 | 0,34 | 19,60 |
| RS 60-50S | 60 | 500 | 3000 | 1,5 | 286 | 0,43 | 23,20 |
| RS 60-60S | 60 | 600 | 3000 | 1,5 | 343 | 0,52 | 26,70 |
| F | | | | | | | |
| RS 60-10F | 60 | 100 | 3000 | 1,5 | 56 | 0,09 | 9,60 |
| RS 60-20F | 60 | 200 | 3000 | 1,5 | 113 | 0,17 | 13,30 |
| RS 60-30F | 60 | 300 | 3000 | 1,5 | 171 | 0,26 | 17,10 |
| RS 60-40F | 60 | 400 | 3000 | 1,5 | 228 | 0,34 | 20,80 |
| RS 60-50F | 60 | 500 | 3000 | 1,5 | 286 | 0,43 | 24,60 |
| RS 60-60F | 60 | 600 | 3000 | 1,5 | 343 | 0,52 | 28,30 |

accessories optional:

| | | |
|----------------|--------------------------------------------------|------------|
| RB 60 | cable tray bend, height=60 mm | (page B18) |
| RB45 60 | cable tray bend, height=60 mm | (page B24) |
| RAE 60 | cable tray attachment corner, height=60 mm | (page B26) |
| RAA 60 | cable tray attachment branch-piece, height=60 mm | (page B27) |
| RA 60 | cable tray branch-piece, height=60 mm | (page B29) |
| RK 60 | cable tray crossover, height=60 mm | (page B34) |
| RVB 60 | cable tray vertical bend, height=60 mm | (page B36) |
| RR 60 | cable tray reducer, height=60 mm | (page B38) |
| RAB 60 | cable tray closing panel, height=60 mm | (page B41) |
| REB | cable tray end-plate | (page B44) |
| RGV 60 | cable tray coupler, height=60 mm | (page B45) |
| VB | connection plate | (page B47) |
| RTR 60 | cable tray barrier strip, height=60 mm | (page B48) |
| KLR | fixing set | (page H33) |



Cable trays

RGL 60 cable tray, perforated, light, height=60mm

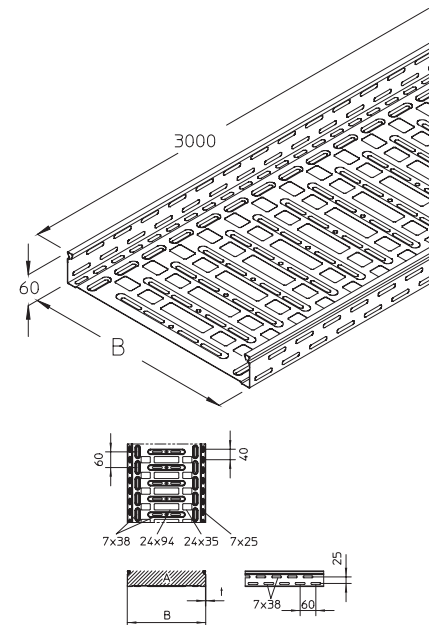
This article is also available made in stainless steel finish, material No. 1.4571 / 1.4404 (V4A).
 For an application example, see the chapter assembly.
 For assembly instructions, see the chapter assembly.



| article number | H mm | B mm | L mm | A cm ² | Q _{SK} kN/m | G kg |
|----------------|---------|---------|---------|----------------------|-------------------------|---------|
| S | | | | | | |
| RGL 60-20S | 60 | 200 | 3000 | 113 | 0,17 | 4,60 |
| RGL 60-30S | 60 | 300 | 3000 | 171 | 0,26 | 5,80 |
| RGL 60-40S | 60 | 400 | 3000 | 228 | 0,34 | 8,68 |
| RGL 60-50S | 60 | 500 | 3000 | 286 | 0,43 | 10,40 |
| RGL 60-60S | 60 | 600 | 3000 | 343 | 0,52 | 11,80 |
| F | | | | | | |
| RGL 60-20F | 60 | 200 | 3000 | 113 | 0,17 | 5,80 |
| RGL 60-30F | 60 | 300 | 3000 | 171 | 0,26 | 6,80 |
| RGL 60-40F | 60 | 400 | 3000 | 228 | 0,34 | 9,05 |
| RGL 60-50F | 60 | 500 | 3000 | 286 | 0,43 | 11,50 |
| RGL 60-60F | 60 | 600 | 3000 | 343 | 0,52 | 12,80 |

accessories optional:

| | | |
|----------------|--------------------------------------------------|------------|
| RB 60 | cable tray bend, height=60 mm | (page B18) |
| RB45 60 | cable tray bend, height=60 mm | (page B24) |
| RAE 60 | cable tray attachment corner, height=60 mm | (page B26) |
| RAA 60 | cable tray attachment branch-piece, height=60 mm | (page B27) |
| RA 60 | cable tray branch-piece, height=60 mm | (page B29) |
| RK 60 | cable tray crossover, height=60 mm | (page B34) |
| RVB 60 | cable tray vertical bend, height=60 mm | (page B36) |
| RR 60 | cable tray reducer, height=60 mm | (page B38) |
| RAB 60 | cable tray closing panel, height=60 mm | (page B41) |
| REB | cable tray end-plate | (page B44) |
| RGV 60 | cable tray coupler, height=60 mm | (page B45) |
| RGVS | cable tray snap coupler | (page B46) |
| VB | connection plate | (page B47) |
| RTR 60 | cable tray barrier strip, height=60 mm | (page B48) |
| KLR | fixing set | (page H33) |



Cable trays

RG 60 cable tray, perforated, height=60 mm

This article is also available made in stainless steel finish, material No. 1.4571 / 1.4404 (V4A).

For a load diagram, see the chapter planning.

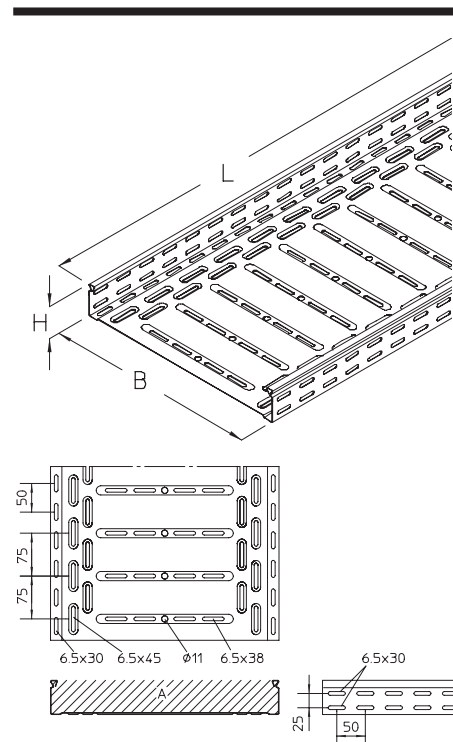
For an application example, see the chapter assembly.

For assembly instructions, see the chapter assembly.

| article number | H mm | B mm | L mm | A cm ² | Q _{SK} kN/m | G kg |
|----------------|---------|---------|---------|----------------------|-------------------------|---------|
| S | | | | | | |
| RG 60-05S | 60 | 50 | 3000 | 27 | 0,04 | 3,40 |
| RG 60-10S | 60 | 100 | 3000 | 56 | 0,09 | 4,50 |
| RG 60-20S | 60 | 200 | 3000 | 113 | 0,17 | 5,80 |
| RG 60-30S | 60 | 300 | 3000 | 171 | 0,26 | 7,50 |
| RG 60-40S | 60 | 400 | 3000 | 228 | 0,34 | 10,70 |
| RG 60-50S | 60 | 500 | 3000 | 286 | 0,43 | 14,30 |
| RG 60-60S | 60 | 600 | 3000 | 343 | 0,52 | 16,50 |
| F | | | | | | |
| RG 60-05F | 60 | 50 | 3000 | 27 | 0,04 | 3,80 |
| RG 60-10F | 60 | 100 | 3000 | 56 | 0,09 | 4,80 |
| RG 60-20F | 60 | 200 | 3000 | 113 | 0,17 | 6,20 |
| RG 60-30F | 60 | 300 | 3000 | 171 | 0,26 | 8,00 |
| RG 60-40F | 60 | 400 | 3000 | 228 | 0,34 | 11,40 |
| RG 60-50F | 60 | 500 | 3000 | 286 | 0,43 | 15,30 |
| RG 60-60F | 60 | 600 | 3000 | 343 | 0,52 | 17,70 |
| E | | | | | | |
| RG 60-05E | 60 | 50 | 3000 | 27 | 0,04 | 3,60 |
| RG 60-10E | 60 | 100 | 3000 | 56 | 0,09 | 4,50 |
| RG 60-20E | 60 | 200 | 3000 | 113 | 0,17 | 5,80 |
| RG 60-30E | 60 | 300 | 3000 | 171 | 0,26 | 7,50 |
| RG 60-40E | 60 | 400 | 3000 | 228 | 0,34 | 9,50 |
| RG 60-50E | 60 | 500 | 3000 | 286 | 0,43 | 12,10 |
| RG 60-60E | 60 | 600 | 3000 | 343 | 0,52 | 13,90 |

accessories optional:

| | | |
|----------------|--------------------------------------------------|------------|
| RB 60 | cable tray bend, height=60 mm | (page B18) |
| RB45 60 | cable tray bend, height=60 mm | (page B24) |
| RAE 60 | cable tray attachment corner, height=60 mm | (page B26) |
| RAA 60 | cable tray attachment branch-piece, height=60 mm | (page B27) |
| RA 60 | cable tray branch-piece, height=60 mm | (page B29) |
| RK 60 | cable tray crossover, height=60 mm | (page B34) |
| RVB 60 | cable tray vertical bend, height=60 mm | (page B36) |
| RR 60 | cable tray reducer, height=60 mm | (page B38) |
| RAB 60 | cable tray closing panel, height=60 mm | (page B41) |
| REB | cable tray end-plate | (page B44) |
| RGV 60 | cable tray coupler, height=60 mm | (page B45) |
| RGVS | cable tray snap coupler | (page B46) |
| VB | connection plate | (page B47) |
| RTR 60 | cable tray barrier strip, height=60 mm | (page B48) |
| KLR | fixing set | (page H33) |



Cable trays

RGS 60 cable tray, heavy, perforated, height=60 mm

Only cable trays up to 300 mm wide are permissible for systems of function maintenance in fire protection as standard support structures according to DIN 4102-12. This article is also available made in stainless steel finish, material No. 1.4571 / 1.4404 (V4A).

For a load diagram, see the chapter planning.

For an application example, see the chapter assembly.

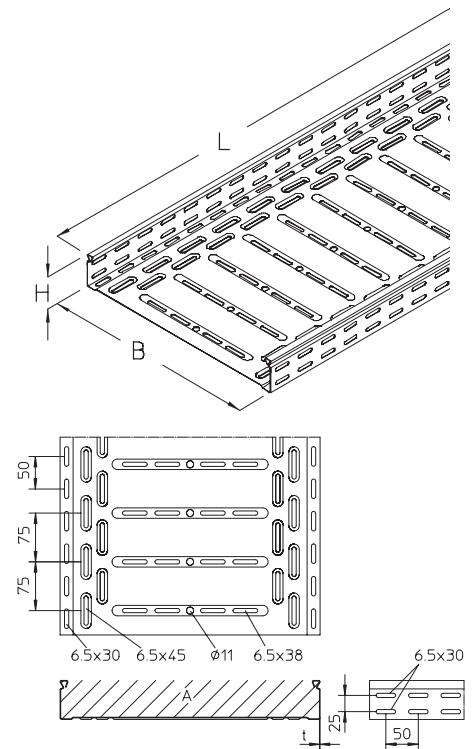
For assembly instructions, see the chapter assembly.



| article number | H mm | B mm | L mm | t mm | A cm ² | Q _{SK} kN/m | G kg |
|----------------|---------|---------|---------|---------|----------------------|-------------------------|---------|
| S | | | | | | | |
| RGS 60-10S | 60 | 100 | 3000 | 1,5 | 56 | 0,09 | 8,80 |
| RGS 60-20S | 60 | 200 | 3000 | 1,5 | 113 | 0,17 | 11,40 |
| RGS 60-30S | 60 | 300 | 3000 | 1,5 | 171 | 0,26 | 14,70 |
| RGS 60-40S | 60 | 400 | 3000 | 1,5 | 228 | 0,34 | 18,00 |
| RGS 60-50S | 60 | 500 | 3000 | 1,5 | 286 | 0,43 | 21,30 |
| RGS 60-60S | 60 | 600 | 3000 | 1,5 | 343 | 0,52 | 24,60 |
| F | | | | | | | |
| RGS 60-10F | 60 | 100 | 3000 | 1,5 | 56 | 0,09 | 9,40 |
| RGS 60-20F | 60 | 200 | 3000 | 1,5 | 113 | 0,17 | 12,20 |
| RGS 60-30F | 60 | 300 | 3000 | 1,5 | 171 | 0,26 | 15,70 |
| RGS 60-40F | 60 | 400 | 3000 | 1,5 | 228 | 0,34 | 19,30 |
| RGS 60-50F | 60 | 500 | 3000 | 1,5 | 286 | 0,43 | 22,80 |
| RGS 60-60F | 60 | 600 | 3000 | 1,5 | 343 | 0,52 | 26,30 |
| E | | | | | | | |
| RGS 60-10E | 60 | 100 | 3000 | 1,5 | 56 | 0,09 | 8,10 |
| RGS 60-20E | 60 | 200 | 3000 | 1,5 | 113 | 0,17 | 11,00 |
| RGS 60-30E | 60 | 300 | 3000 | 1,5 | 171 | 0,26 | 14,20 |
| RGS 60-40E | 60 | 400 | 3000 | 1,5 | 228 | 0,34 | 17,20 |
| RGS 60-50E | 60 | 500 | 3000 | 1,5 | 286 | 0,43 | 21,60 |
| RGS 60-60E | 60 | 600 | 3000 | 1,5 | 343 | 0,52 | 24,20 |

accessories optional:

| | | |
|----------------|--------------------------------------------------|------------|
| RB 60 | cable tray bend, height=60 mm | (page B18) |
| RB45 60 | cable tray bend, height=60 mm | (page B24) |
| RAE 60 | cable tray attachment corner, height=60 mm | (page B26) |
| RAA 60 | cable tray attachment branch-piece, height=60 mm | (page B27) |
| RA 60 | cable tray branch-piece, height=60 mm | (page B29) |
| RK 60 | cable tray crossover, height=60 mm | (page B34) |
| RVB 60 | cable tray vertical bend, height=60 mm | (page B36) |
| RR 60 | cable tray reducer, height=60 mm | (page B38) |
| RAB 60 | cable tray closing panel, height=60 mm | (page B41) |
| REB | cable tray end-plate | (page B44) |
| RGV 60 | cable tray coupler, height=60 mm | (page B45) |
| VB | connection plate | (page B47) |
| RTR 60 | cable tray barrier strip, height=60 mm | (page B48) |
| KLR | fixing set | (page H33) |



Cable trays

R 85 cable tray, not perforated, height=85 mm

For a load diagram, see the chapter planning.
For assembly instructions, see the chapter assembly.

| article number | H mm | B mm | L mm | A cm ² | Q _{SK} kN/m | G kg |
|----------------|---------|---------|---------|----------------------|-------------------------|---------|
| S | | | | | | |
| R 85-10S | 85 | 100 | 3000 | 81 | 0,12 | 5,50 |
| R 85-20S | 85 | 200 | 3000 | 163 | 0,25 | 7,20 |
| R 85-30S | 85 | 300 | 3000 | 246 | 0,37 | 10,50 |
| R 85-40S | 85 | 400 | 3000 | 328 | 0,49 | 12,60 |
| R 85-50S | 85 | 500 | 3000 | 411 | 0,62 | 16,70 |
| R 85-60S | 85 | 600 | 3000 | 493 | 0,74 | 19,00 |
| F | | | | | | |
| R 85-10F | 85 | 100 | 3000 | 81 | 0,12 | 6,10 |
| R 85-20F | 85 | 200 | 3000 | 163 | 0,25 | 8,10 |
| R 85-30F | 85 | 300 | 3000 | 246 | 0,37 | 11,60 |
| R 85-40F | 85 | 400 | 3000 | 328 | 0,49 | 13,90 |
| R 85-50F | 85 | 500 | 3000 | 411 | 0,62 | 18,20 |
| R 85-60F | 85 | 600 | 3000 | 493 | 0,74 | 20,80 |

accessories optional:

| | | |
|----------------|--------------------------------------------------|------------|
| RB 85 | cable tray bend, height=85 mm | (page B19) |
| RB45 85 | cable tray bend, height=85 mm | (page B25) |
| RAA 85 | cable tray attachment branch-piece, height=85 mm | (page B28) |
| RA 85 | cable tray branch-piece, height=85 mm | (page B30) |
| RK 85 | cable tray crossover, height=85 mm | (page B34) |
| RVB 85 | cable tray vertical bend, height=85 mm | (page B37) |
| RR 85 | cable tray reducer, height=85 mm | (page B39) |
| RAB 85 | cable tray closing panel, height=85 mm | (page B42) |
| REB | cable tray end-plate | (page B44) |
| RGV 85 | cable tray coupler, height=85 mm | (page B46) |
| VB | connection plate | (page B47) |
| RTR 85 | cable tray barrier strip, height=85 mm | (page B49) |
| KLR | fixing set | (page H33) |

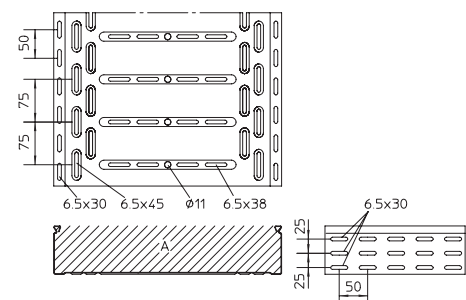
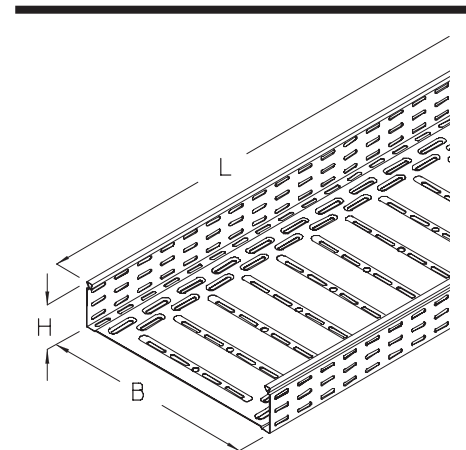
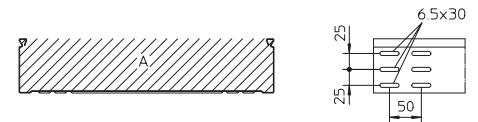
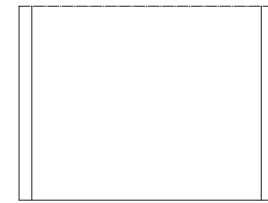
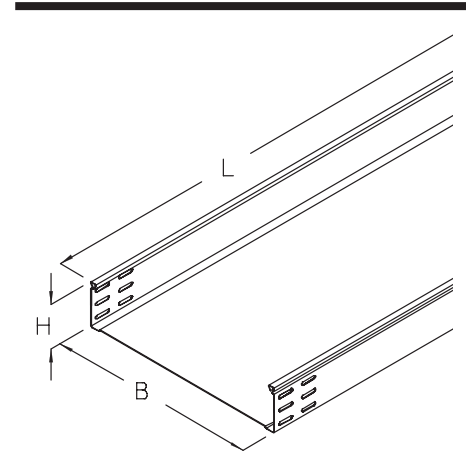
RG 85 cable tray, perforated, height=85 mm

For a load diagram, see the chapter planning.
For assembly instructions, see the chapter assembly.

| article number | H mm | B mm | L mm | A cm ² | Q _{SK} kN/m | G kg |
|----------------|---------|---------|---------|----------------------|-------------------------|---------|
| S | | | | | | |
| RG 85-10S | 85 | 100 | 3000 | 81 | 0,12 | 4,80 |
| RG 85-20S | 85 | 200 | 3000 | 163 | 0,25 | 6,60 |
| RG 85-30S | 85 | 300 | 3000 | 246 | 0,37 | 9,60 |
| RG 85-40S | 85 | 400 | 3000 | 328 | 0,49 | 11,60 |
| RG 85-50S | 85 | 500 | 3000 | 411 | 0,62 | 15,30 |
| RG 85-60S | 85 | 600 | 3000 | 493 | 0,74 | 17,50 |

accessories optional:

| | | |
|----------------|--------------------------------------------------|------------|
| RB 85 | cable tray bend, height=85 mm | (page B19) |
| RB45 85 | cable tray bend, height=85 mm | (page B25) |
| RAA 85 | cable tray attachment branch-piece, height=85 mm | (page B28) |
| RA 85 | cable tray branch-piece, height=85 mm | (page B30) |
| RK 85 | cable tray crossover, height=85 mm | (page B34) |
| RVB 85 | cable tray vertical bend, height=85 mm | (page B37) |
| RR 85 | cable tray reducer, height=85 mm | (page B39) |
| RAB 85 | cable tray closing panel, height=85 mm | (page B42) |
| REB | cable tray end-plate | (page B44) |
| RGV 85 | cable tray coupler, height=85 mm | (page B46) |
| VB | connection plate | (page B47) |
| RTR 85 | cable tray barrier strip, height=85 mm | (page B49) |
| KLR | fixing set | (page H33) |



Cable trays

RGS 85 cable tray, perforated, heavy, height=85mm

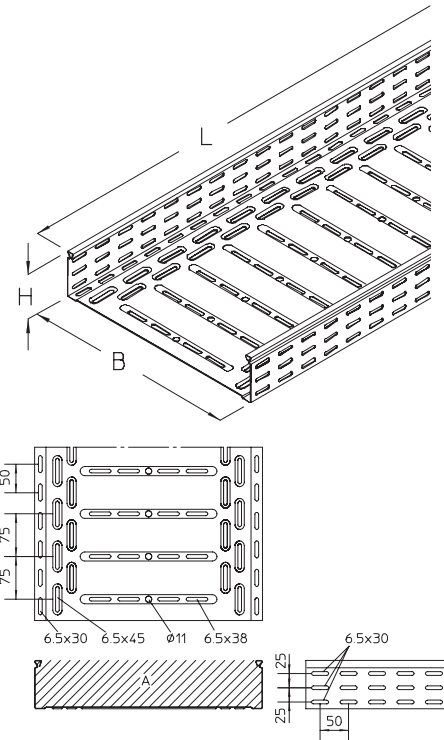
For assembly instructions, see the chapter assembly.



| article number | H mm | B mm | L mm | t mm | A cm ² | Q _{SK} kN/m | G kg |
|-------------------|---------|---------|---------|---------|----------------------|-------------------------|---------|
| S | | | | | | | |
| RGS 85-10S | 85 | 100 | 3000 | 1,5 | 81 | 0,12 | 9,84 |
| RGS 85-20S | 85 | 200 | 3000 | 1,5 | 163 | 0,25 | 12,84 |
| RGS 85-30S | 85 | 300 | 3000 | 1,5 | 246 | 0,37 | 16,14 |
| RGS 85-40S | 85 | 400 | 3000 | 1,5 | 328 | 0,49 | 19,45 |
| RGS 85-50S | 85 | 500 | 3000 | 1,5 | 411 | 0,62 | 22,75 |
| RGS 85-60S | 85 | 600 | 3000 | 1,5 | 493 | 0,74 | 26,07 |

accessories optional:

| | | |
|----------------|--------------------------------------------------|------------|
| RB 85 | cable tray bend, height=85 mm | (page B19) |
| RB45 85 | cable tray bend, height=85 mm | (page B25) |
| RAA 85 | cable tray attachment branch-piece, height=85 mm | (page B28) |
| RA 85 | cable tray branch-piece, height=85 mm | (page B30) |
| RK 85 | cable tray crossover, height=85 mm | (page B34) |
| RVB 85 | cable tray vertical bend, height=85 mm | (page B37) |
| RR 85 | cable tray reducer, height=85 mm | (page B39) |
| RAB 85 | cable tray closing panel, height=85 mm | (page B42) |
| REB | cable tray end-plate | (page B44) |
| RGV 85 | cable tray coupler, height=85 mm | (page B46) |
| VB | connection plate | (page B47) |
| RTR 85 | cable tray barrier strip, height=85 mm | (page B49) |
| KLR | fixing set | (page H33) |



Cable trays

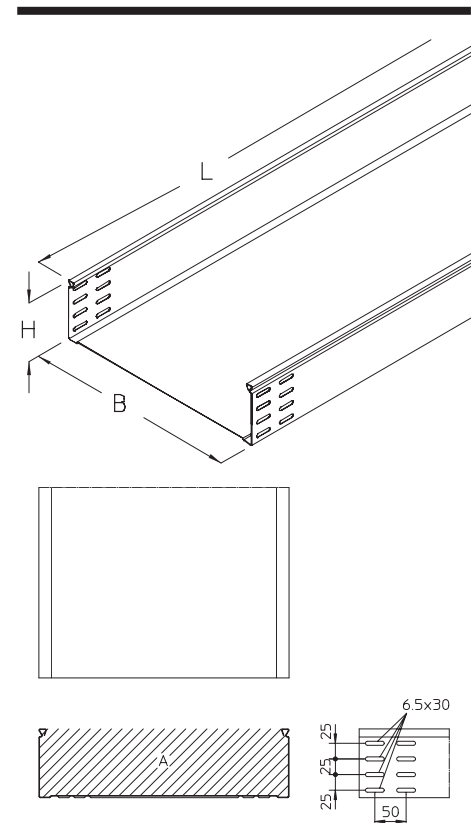
R 110 cable tray, not perforated, height=110 mm

This article is also available made in stainless steel finish, material No. 1.4571 / 1.4404 (V4A).
 For a load diagram, see the chapter planning.
 For assembly instructions, see the chapter assembly.

| article number | H mm | B mm | L mm | A cm ² | Q _{SK} kN/m | G kg |
|----------------|---------|---------|---------|----------------------|-------------------------|---------|
| S | | | | | | |
| R 110-10S | 110 | 100 | 3000 | 106 | 0,16 | 6,30 |
| R 110-20S | 110 | 200 | 3000 | 213 | 0,32 | 8,10 |
| R 110-30S | 110 | 300 | 3000 | 321 | 0,48 | 11,60 |
| R 110-40S | 110 | 400 | 3000 | 428 | 0,64 | 15,50 |
| R 110-50S | 110 | 500 | 3000 | 536 | 0,81 | 17,80 |
| R 110-60S | 110 | 600 | 3000 | 643 | 0,97 | 20,20 |
| F | | | | | | |
| R 110-10F | 110 | 100 | 3000 | 106 | 0,16 | 7,10 |
| R 110-20F | 110 | 200 | 3000 | 213 | 0,32 | 9,10 |
| R 110-30F | 110 | 300 | 3000 | 321 | 0,48 | 12,80 |
| R 110-40F | 110 | 400 | 3000 | 428 | 0,64 | 16,90 |
| R 110-50F | 110 | 500 | 3000 | 536 | 0,81 | 19,40 |
| R 110-60F | 110 | 600 | 3000 | 643 | 0,97 | 22,00 |
| E | | | | | | |
| R 110-10E | 110 | 100 | 3000 | 106 | 0,16 | 6,80 |
| R 110-20E | 110 | 200 | 3000 | 213 | 0,32 | 8,70 |
| R 110-30E | 110 | 300 | 3000 | 321 | 0,48 | 10,60 |
| R 110-40E | 110 | 400 | 3000 | 428 | 0,64 | 15,60 |
| R 110-50E | 110 | 500 | 3000 | 536 | 0,81 | 17,90 |
| R 110-60E | 110 | 600 | 3000 | 643 | 0,97 | 20,30 |

accessories optional:

| | | |
|-----------------|---------------------------------------------------|------------|
| RB 110 | cable tray bend, height=110 mm | (page B20) |
| RB45 110 | cable tray bend, height=110 mm | (page B25) |
| RAE 110 | cable tray attachment corner, height=110 mm | (page B26) |
| RAA 110 | cable tray attachment branch-piece, height=110 mm | (page B28) |
| RA 110 | cable tray branch-piece, height=110 mm | (page B31) |
| RK 110 | cable tray crossover, height=110 mm | (page B35) |
| RVB 110 | cable tray vertical bend, height=110 mm | (page B37) |
| RR 110 | cable tray reducer, height=110 mm | (page B39) |
| RAB 110 | cable tray closing panel, height=110 mm | (page B43) |
| REB | cable tray end-plate | (page B44) |
| RGV 110 | cable tray coupler, height=110 mm | (page B46) |
| VB | connection plate | (page B47) |
| RTR 110 | cable tray barrier strip, height=110 mm | (page B49) |
| KLR | fixing set | (page H33) |



Cable trays

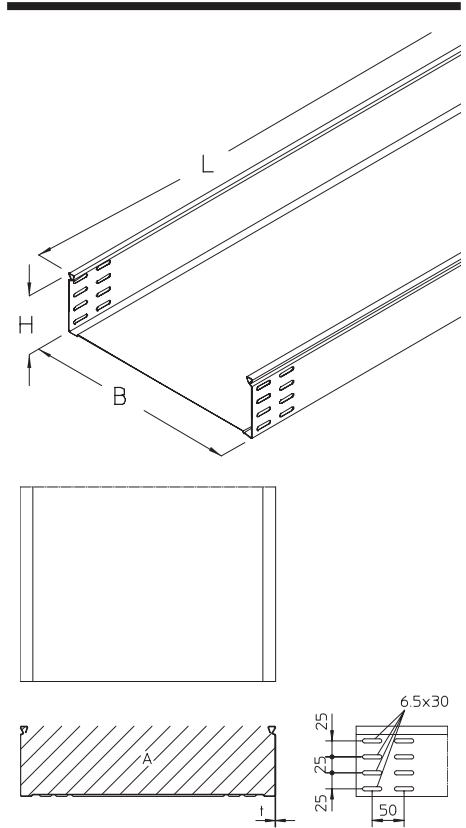
RS 110 cable tray, heavy, not perforated, height=110 mm

For a load diagram, see the chapter planning.
For assembly instructions, see the chapter assembly.

| article number | H mm | B mm | L mm | t mm | A cm ² | Q _{SK} kN/m | G kg |
|----------------|---------|---------|---------|---------|----------------------|-------------------------|---------|
| S | | | | | | | |
| RS 110-10S | 110 | 100 | 3000 | 1,5 | 106 | 0,16 | 12,60 |
| RS 110-20S | 110 | 200 | 3000 | 1,5 | 213 | 0,32 | 16,00 |
| RS 110-30S | 110 | 300 | 3000 | 1,5 | 321 | 0,48 | 19,60 |
| RS 110-40S | 110 | 400 | 3000 | 1,5 | 428 | 0,64 | 23,10 |
| RS 110-50S | 110 | 500 | 3000 | 1,5 | 536 | 0,81 | 26,60 |
| RS 110-60S | 110 | 600 | 3000 | 1,5 | 643 | 0,97 | 30,20 |
| F | | | | | | | |
| RS 110-10F | 110 | 100 | 3000 | 1,5 | 106 | 0,16 | 13,30 |
| RS 110-20F | 110 | 200 | 3000 | 1,5 | 213 | 0,32 | 17,00 |
| RS 110-30F | 110 | 300 | 3000 | 1,5 | 321 | 0,48 | 20,80 |
| RS 110-40F | 110 | 400 | 3000 | 1,5 | 428 | 0,64 | 24,50 |
| RS 110-50F | 110 | 500 | 3000 | 1,5 | 536 | 0,81 | 28,20 |
| RS 110-60F | 110 | 600 | 3000 | 1,5 | 643 | 0,97 | 32,00 |

accessories optional:

| | | |
|-----------------|---------------------------------------------------|------------|
| RB 110 | cable tray bend, height=110 mm | (page B20) |
| RB45 110 | cable tray bend, height=110 mm | (page B25) |
| RAE 110 | cable tray attachment corner, height=110 mm | (page B26) |
| RAA 110 | cable tray attachment branch-piece, height=110 mm | (page B28) |
| RA 110 | cable tray branch-piece, height=110 mm | (page B31) |
| RK 110 | cable tray crossover, height=110 mm | (page B35) |
| RVB 110 | cable tray vertical bend, height=110 mm | (page B37) |
| RR 110 | cable tray reducer, height=110 mm | (page B39) |
| RAB 110 | cable tray closing panel, height=110 mm | (page B43) |
| REB | cable tray end-plate | (page B44) |
| RGV 110 | cable tray coupler, height=110 mm | (page B46) |
| VB | connection plate | (page B47) |
| RTR 110 | cable tray barrier strip, height=110 mm | (page B49) |
| KLR | fixing set | (page H33) |



Cable trays

RG 110 cable tray, perforated, height=110 mm

This article is also available made in stainless steel finish, material No. 1.4571 / 1.4404 (V4A).

For a load diagram, see the chapter planning.

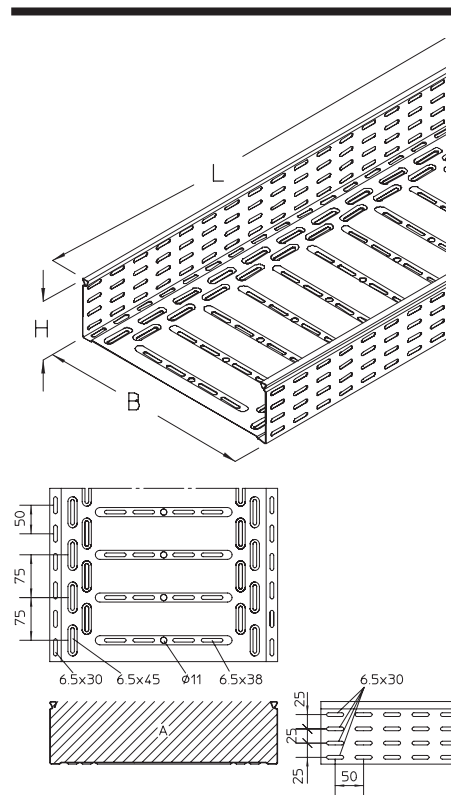
For an application example, see the chapter assembly.

For assembly instructions, see the chapter assembly.

| article number | H mm | B mm | L mm | A cm ² | Q _{SK} kN/m | G kg |
|----------------|---------|---------|---------|----------------------|-------------------------|---------|
| S | | | | | | |
| RG 110-10S | 110 | 100 | 3000 | 106 | 0,16 | 5,60 |
| RG 110-20S | 110 | 200 | 3000 | 213 | 0,32 | 7,30 |
| RG 110-30S | 110 | 300 | 3000 | 321 | 0,48 | 10,50 |
| RG 110-40S | 110 | 400 | 3000 | 428 | 0,64 | 14,10 |
| RG 110-50S | 110 | 500 | 3000 | 536 | 0,81 | 16,30 |
| RG 110-60S | 110 | 600 | 3000 | 643 | 0,97 | 18,50 |
| F | | | | | | |
| RG 110-10F | 110 | 100 | 3000 | 106 | 0,16 | 6,00 |
| RG 110-20F | 110 | 200 | 3000 | 213 | 0,32 | 7,80 |
| RG 110-30F | 110 | 300 | 3000 | 321 | 0,48 | 11,20 |
| RG 110-40F | 110 | 400 | 3000 | 428 | 0,64 | 15,10 |
| RG 110-50F | 110 | 500 | 3000 | 536 | 0,81 | 17,40 |
| RG 110-60F | 110 | 600 | 3000 | 643 | 0,97 | 19,80 |
| E | | | | | | |
| RG 110-10E | 110 | 100 | 3000 | 106 | 0,16 | 5,80 |
| RG 110-20E | 110 | 200 | 3000 | 213 | 0,32 | 7,50 |
| RG 110-30E | 110 | 300 | 3000 | 321 | 0,48 | 9,20 |
| RG 110-40E | 110 | 400 | 3000 | 428 | 0,64 | 12,10 |
| RG 110-50E | 110 | 500 | 3000 | 536 | 0,81 | 13,90 |
| RG 110-60E | 110 | 600 | 3000 | 643 | 0,97 | 15,80 |

accessories optional:

| | | |
|-----------------|---------------------------------------------------|------------|
| RB 110 | cable tray bend, height=110 mm | (page B20) |
| RB45 110 | cable tray bend, height=110 mm | (page B25) |
| RAE 110 | cable tray attachment corner, height=110 mm | (page B26) |
| RAA 110 | cable tray attachment branch-piece, height=110 mm | (page B28) |
| RA 110 | cable tray branch-piece, height=110 mm | (page B31) |
| RK 110 | cable tray crossover, height=110 mm | (page B35) |
| RVB 110 | cable tray vertical bend, height=110 mm | (page B37) |
| RR 110 | cable tray reducer, height=110 mm | (page B39) |
| RAB 110 | cable tray closing panel, height=110 mm | (page B43) |
| REB | cable tray end-plate | (page B44) |
| RGV 110 | cable tray coupler, height=110 mm | (page B46) |
| VB | connection plate | (page B47) |
| RTR 110 | cable tray barrier strip, height=110 mm | (page B49) |
| KLR | fixing set | (page H33) |



Cable trays

RGS 110 cable tray, heavy, perforated, height=110 mm

For a load diagram, see the chapter planning.

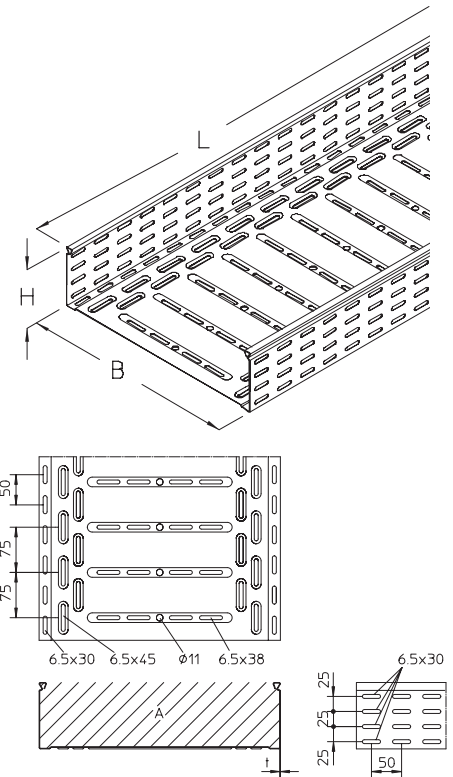
For an application example, see the chapter assembly.

For assembly instructions, see the chapter assembly.

| article number | H mm | B mm | L mm | t mm | A cm ² | Q _{SK} kN/m | G kg |
|----------------|---------|---------|---------|---------|----------------------|-------------------------|---------|
| S | | | | | | | |
| RGS 110-10S | 110 | 100 | 3000 | 1,5 | 106 | 0,16 | 10,90 |
| RGS 110-20S | 110 | 200 | 3000 | 1,5 | 213 | 0,32 | 14,50 |
| RGS 110-30S | 110 | 300 | 3000 | 1,5 | 321 | 0,48 | 17,80 |
| RGS 110-40S | 110 | 400 | 3000 | 1,5 | 428 | 0,64 | 21,10 |
| RGS 110-50S | 110 | 500 | 3000 | 1,5 | 536 | 0,81 | 24,40 |
| RGS 110-60S | 110 | 600 | 3000 | 1,5 | 643 | 0,97 | 27,70 |
| F | | | | | | | |
| RGS 110-10F | 110 | 100 | 3000 | 1,5 | 106 | 0,16 | 11,70 |
| RGS 110-20F | 110 | 200 | 3000 | 1,5 | 213 | 0,32 | 15,50 |
| RGS 110-30F | 110 | 300 | 3000 | 1,5 | 321 | 0,48 | 19,00 |
| RGS 110-40F | 110 | 400 | 3000 | 1,5 | 428 | 0,64 | 22,60 |
| RGS 110-50F | 110 | 500 | 3000 | 1,5 | 536 | 0,81 | 26,10 |
| RGS 110-60F | 110 | 600 | 3000 | 1,5 | 643 | 0,97 | 29,60 |

accessories optional:

| | | |
|-----------------|---------------------------------------------------|------------|
| RB 110 | cable tray bend, height=110 mm | (page B20) |
| RB45 110 | cable tray bend, height=110 mm | (page B25) |
| RAE 110 | cable tray attachment corner, height=110 mm | (page B26) |
| RAA 110 | cable tray attachment branch-piece, height=110 mm | (page B28) |
| RA 110 | cable tray branch-piece, height=110 mm | (page B31) |
| RK 110 | cable tray crossover, height=110 mm | (page B35) |
| RVB 110 | cable tray vertical bend, height=110 mm | (page B37) |
| RR 110 | cable tray reducer, height=110 mm | (page B39) |
| RAB 110 | cable tray closing panel, height=110 mm | (page B43) |
| REB | cable tray end-plate | (page B44) |
| RGV 110 | cable tray coupler, height=110 mm | (page B46) |
| VB | connection plate | (page B47) |
| RTR 110 | cable tray barrier strip, height=110 mm | (page B49) |
| KLR | fixing set | (page H33) |



Cable trays

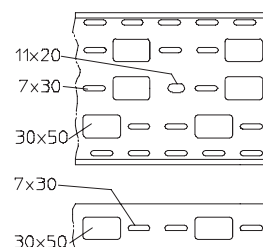
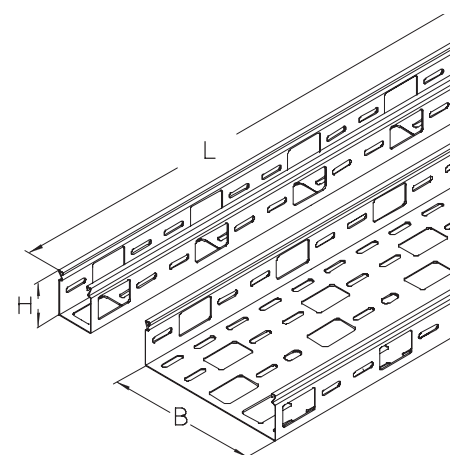
RI 60 cable installation tray, height=60 mm

For a load diagram, see the chapter planning.
For an application example, see the chapter assembly.

| article number | H mm | B mm | L mm | t mm | G kg |
|----------------|---------|---------|---------|---------|---------|
| S | | | | | |
| RI 60-05S | 60 | 50 | 3000 | 1,0 | 3,50 |
| RI 60-10S | 60 | 100 | 3000 | 1,0 | 4,50 |
| RI 60-15S | 60 | 150 | 3000 | 1,0 | 5,70 |
| RI 60-20S | 60 | 200 | 3000 | 1,0 | 6,30 |
| RI 60-30S | 60 | 300 | 3000 | 1,0 | 8,00 |
| F | | | | | |
| RI 60-05F | 60 | 50 | 3000 | 1,0 | 3,80 |
| RI 60-10F | 60 | 100 | 3000 | 1,0 | 4,80 |
| RI 60-15F | 60 | 150 | 3000 | 1,0 | 6,10 |
| RI 60-20F | 60 | 200 | 3000 | 1,0 | 6,70 |
| RI 60-30F | 60 | 300 | 3000 | 1,0 | 8,60 |
| E | | | | | |
| RI 60-05E | 60 | 50 | 3000 | 1,0 | 3,49 |
| RI 60-10E | 60 | 100 | 3000 | 1,0 | 4,51 |
| RI 60-15E | 60 | 150 | 3000 | 1,0 | 5,78 |
| RI 60-20E | 60 | 200 | 3000 | 1,0 | 6,20 |
| RI 60-30E | 60 | 300 | 3000 | 1,0 | 8,70 |

accessories optional:

| | | |
|---------------|---------------------------------------------|------------|
| RIV 60 | cable tray coupler, height=60 mm | (page B51) |
| VB | connection plate | (page B47) |
| REB | cable tray end-plate | (page B44) |
| KSR | cable protection ring | (page B52) |
| AHB | suspension-bow | (page B52) |
| KLR | fixing set | (page H33) |
| RID | cable installation tray cover | (page B51) |
| RIDR | cable installation tray cover with bar lock | (page B52) |



Cable trays

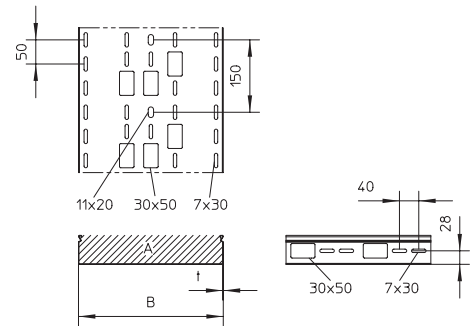
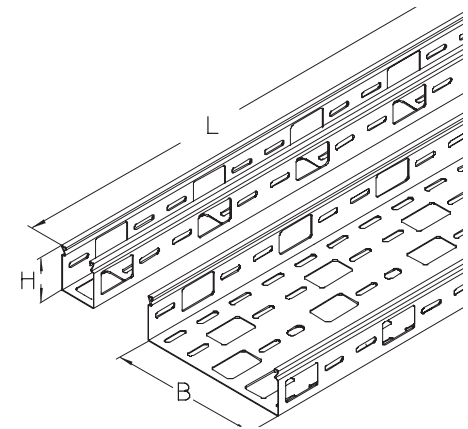
RIS 60 cable installation tray heavy, height=60 mm

Cable installation tray with big side and bottom perforation for leading cables out, head shape suitable for positive locking covers, certified including electrical conductivity according to din en 61537.

| article number | H mm | B mm | L mm | t mm | A cm ² | Q _{ex} kN/m | G kg |
|----------------|---------|---------|---------|---------|----------------------|-------------------------|---------|
| S | | | | | | | |
| RIS 60-05S | 60 | 50 | 3000 | 1.50 | 27 | 0.04 | 5.00 |
| RIS 60-10S | 60 | 100 | 3000 | 1.50 | 56 | 0.09 | 6.80 |
| RIS 60-15S | 60 | 150 | 3000 | 1.50 | 85 | 0.13 | 8.40 |
| RIS 60-20S | 60 | 200 | 3000 | 1.50 | 113 | 0.17 | 9.10 |
| RIS 60-30S | 60 | 300 | 3000 | 1.50 | 171 | 0.26 | 13.00 |
| F | | | | | | | |
| RIS 60-05F | 60 | 50 | 3000 | 1.50 | 27 | 0.04 | 5.64 |
| RIS 60-10F | 60 | 100 | 3000 | 1.50 | 56 | 0.09 | 7.23 |
| RIS 60-15F | 60 | 150 | 3000 | 1.50 | 85 | 0.13 | 9.12 |
| RIS 60-20F | 60 | 200 | 3000 | 1.50 | 113 | 0.17 | 10.06 |
| RIS 60-30F | 60 | 300 | 3000 | 1.50 | 171 | 0.26 | 13.84 |

accessories optional:

| | | |
|---------------|-------------------------------------------------|------------|
| RDS | cable tray, heavy | (page B56) |
| RDSR | cable tray cover with bar lock, heavy | (page B56) |
| RIB 60 | cable installation tray bend, height=60 mm | (page B32) |
| RIBDS | cable installation tray bend cover, heavy | (page B33) |
| RIA 60 | cable installation tray branch, height=60 mm | (page B32) |
| RIADS | cable installation tray branch cover, heavy | (page B32) |
| RIV 60 | cable installation tray connector, height=45 mm | (page B51) |
| VB | connection plate | (page B47) |
| REB | cable tray end-plate | (page B44) |
| SRI 60 | protection end cap | (page B53) |
| KSR | cable protection ring | (page B52) |
| AHB | suspension-bow | (page B52) |
| KLR | fixing set | (page H33) |



Cable trays

Fittings

RB 35 cable tray bend, height=35 mm

For an application example, see the chapter assembly.

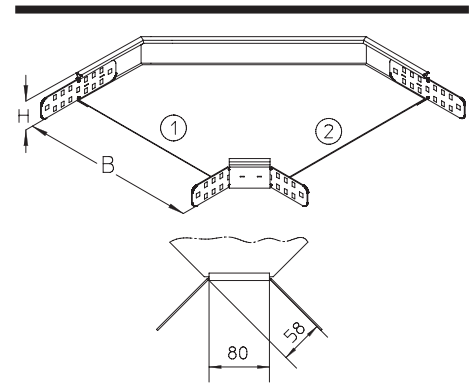
| article number | H mm | B mm | G kg |
|------------------|---------|---------|---------|
| S | | | |
| RB 35-10S | 35 | 100 | 0,40 |
| RB 35-20S | 35 | 200 | 0,70 |
| RB 35-30S | 35 | 300 | 1,20 |

accessories included:
2 x **KLR** fixing set (page H33)

| article number | H mm | B mm | G kg |
|------------------|---------|---------|---------|
| F | | | |
| RB 35-10F | 35 | 100 | 0,40 |
| RB 35-20F | 35 | 200 | 0,70 |
| RB 35-30F | 35 | 300 | 1,30 |

accessories included:
2 x **KLR E** fixing set (page H33)

accessories optional:
VB connection plate (page B47)



Cable trays

Fittings

RB 60 cable tray bend, height=60 mm

This article is also available made in stainless steel finish, material No. 1.4571 / 1.4404 (V4A).
For an application example, see the chapter assembly.

| article number | H mm | B mm | G kg |
|----------------|---------|---------|---------|
| S | | | |
| RB 60-05S | 60 | 50 | 0,70 |
| RB 60-10S | 60 | 100 | 0,80 |
| RB 60-20S | 60 | 200 | 1,10 |
| RB 60-30S | 60 | 300 | 1,60 |
| RB 60-40S | 60 | 400 | 2,20 |
| RB 60-50S | 60 | 500 | 3,10 |
| RB 60-60S | 60 | 600 | 4,00 |

accessories included:
2 x **KLR** fixing set (page H33)

| article number | H mm | B mm | G kg |
|----------------|---------|---------|---------|
| F | | | |
| RB 60-05F | 60 | 50 | 0,80 |
| RB 60-10F | 60 | 100 | 0,90 |
| RB 60-20F | 60 | 200 | 1,20 |
| RB 60-30F | 60 | 300 | 1,70 |
| RB 60-40F | 60 | 400 | 2,40 |
| RB 60-50F | 60 | 500 | 3,30 |
| RB 60-60F | 60 | 600 | 4,30 |

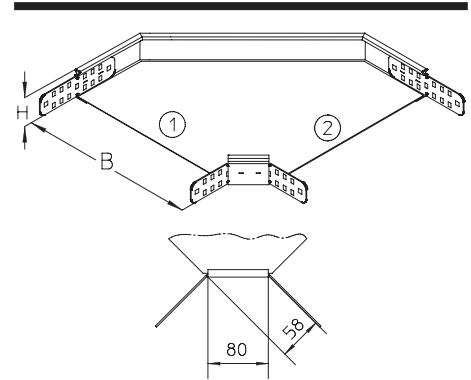
accessories included:
2 x **KLR E** fixing set (page H33)

accessories optional:
VB connection plate (page B47)

| article number | H mm | B mm | G kg |
|----------------|---------|---------|---------|
| E | | | |
| RB 60-05E | 60 | 50 | 0,60 |
| RB 60-10E | 60 | 100 | 0,70 |
| RB 60-20E | 60 | 200 | 1,00 |
| RB 60-30E | 60 | 300 | 1,50 |
| RB 60-40E | 60 | 400 | 2,10 |
| RB 60-50E | 60 | 500 | 2,90 |
| RB 60-60E | 60 | 600 | 3,90 |

accessories included:
2 x **KLR E** fixing set (page H33)

accessories optional:
VB connection plate (page B47)



Cable trays

Fittings

RB 85 cable tray bend, height=85 mm

For an application example, see the chapter assembly.

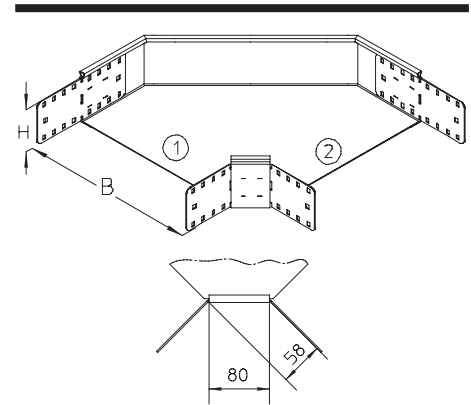
| article number | H mm | B mm | G kg |
|------------------|---------|---------|---------|
| S | | | |
| RB 85-10S | 85 | 100 | 1,20 |
| RB 85-20S | 85 | 200 | 1,50 |
| RB 85-30S | 85 | 300 | 2,00 |
| RB 85-40S | 85 | 400 | 2,60 |
| RB 85-50S | 85 | 500 | 3,40 |
| RB 85-60S | 85 | 600 | 4,40 |

accessories included:
4 x **KLR** fixing set (page H33)

| article number | H mm | B mm | G kg |
|------------------|---------|---------|---------|
| F | | | |
| RB 85-10F | 85 | 100 | 1,20 |
| RB 85-20F | 85 | 200 | 1,60 |
| RB 85-30F | 85 | 300 | 2,10 |
| RB 85-40F | 85 | 400 | 2,80 |
| RB 85-50F | 85 | 500 | 3,60 |
| RB 85-60F | 85 | 600 | 4,70 |

accessories included:
4 x **KLR E** fixing set (page H33)

accessories optional:
VB connection plate (page B47)



Cable trays

Fittings

RB 110 cable tray bend, height=110 mm

This article is also available made in stainless steel finish, material No. 1.4571 / 1.4404 (V4A).
For an application example, see the chapter assembly.

| article number | H mm | B mm | G kg |
|----------------|---------|---------|---------|
| S | | | |
| RB 110-10S | 110 | 100 | 1,60 |
| RB 110-20S | 110 | 200 | 1,90 |
| RB 110-30S | 110 | 300 | 2,40 |
| RB 110-40S | 110 | 400 | 3,00 |
| RB 110-50S | 110 | 500 | 3,80 |
| RB 110-60S | 110 | 600 | 4,80 |

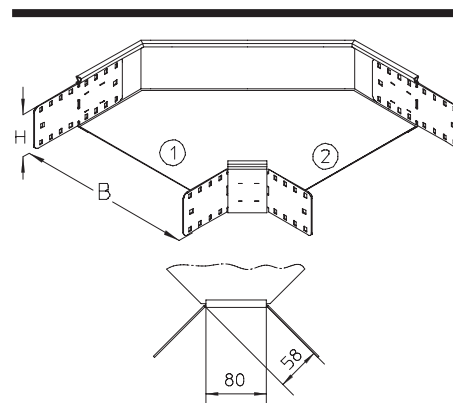
accessories included:
4 x **KLR** fixing set (page H33)

| article number | H mm | B mm | G kg |
|----------------|---------|---------|---------|
| F | | | |
| RB 110-10F | 110 | 100 | 1,70 |
| RB 110-20F | 110 | 200 | 2,00 |
| RB 110-30F | 110 | 300 | 2,50 |
| RB 110-40F | 110 | 400 | 3,20 |
| RB 110-50F | 110 | 500 | 4,10 |
| RB 110-60F | 110 | 600 | 5,10 |

| article number | H mm | B mm | G kg |
|----------------|---------|---------|---------|
| E | | | |
| RB 110-10E | 110 | 100 | 1,20 |
| RB 110-20E | 110 | 200 | 1,50 |
| RB 110-30E | 110 | 300 | 2,00 |
| RB 110-40E | 110 | 400 | 2,70 |
| RB 110-50E | 110 | 500 | 3,50 |
| RB 110-60E | 110 | 600 | 4,40 |

accessories included:
4 x **KLR E** fixing set (page H33)

accessories optional:
VB connection plate (page B47)



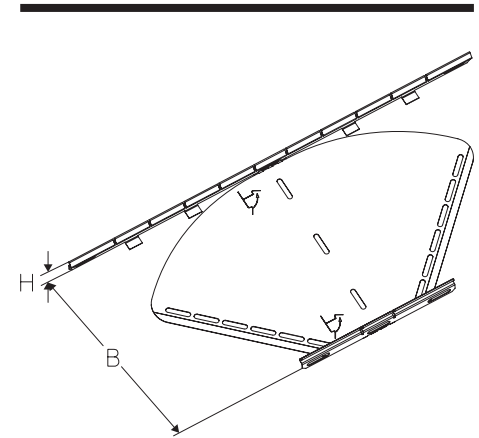
Cable trays

Fittings

RBV 35 cable tray bend, variable, height=35 mm

Variable cable tray bend 0 - 90° for horizontal change of direction with integrated connectors. With elongated holes for fastening separating strips or brackets. To obtain more stability at larger angles, the outer side can be connected to the bottom from a width of 200 mm. For cable protection, the edges at the head of the variable cable tray bend are folded over. The variable cable tray bend is in a flat condition on delivery. For assembly, the inner and outer sides must be bent up. Attention must be paid to the correct alignment of the head shape.

| article number | | H mm | B mm | G kg |
|-----------------------|------------|---------|------------|---------|
| S | | | | |
| RBV 35-05S | | 35 | 50 | 0.15 |
| accessories included: | | | | |
| 2x KLR | fixing set | | (page H33) | |
| S | | | | |
| RBV 35-10S | | 35 | 100 | 0.24 |
| accessories optional: | | | | |
| 2x KLR | fixing set | | (page H33) | |
| S | | | | |
| RBV 35-20S | | 35 | 200 | 0.48 |
| accessories included: | | | | |
| 2x KLR | fixing set | | (page H33) | |
| S | | | | |
| RBV 35-30S | | 35 | 300 | 1.08 |
| accessories included: | | | | |
| 3x KLR | fixing set | | (page H33) | |



Cable trays

Fittings

RBV 60 cable tray bend, variable, height=60 mm

Variable cable tray bend 0 - 90° for horizontal change of direction with integrated connectors. With elongated holes for fastening separating strips or brackets. To obtain more stability at larger angles, the outer side can be connected to the bottom from a width of 200 mm. For cable protection, the edges at the head of the variable cable tray bend are folded over. This article is available made in material No. 1.4571/1.4404 (V4A) stainless steel finish.

The variable cable tray bend is in a flat condition on delivery. For assembly, the inner and outer sides must be bent up. Attention must be paid to the correct alignment of the head shape.

| article number | H mm | B mm | G kg |
|-------------------|---------|---------|---------|
| S | | | |
| RBV 60-05S | 60 | 50 | 0.25 |
| RBV 60-10S | 60 | 100 | 0.34 |
| RBV 60-20S | 60 | 200 | 0.61 |

accessories included:
4x **KLR** fixing set (page H33)

| | | | |
|-------------------|----|-----|------|
| S | | | |
| RBV 60-30S | 60 | 300 | 1.27 |
| RBV 60-40S | 60 | 400 | 1.87 |

accessories included:
5x **KLR** fixing set (page H33)

| | | | |
|-------------------|----|-----|------|
| S | | | |
| RBV 60-50S | 60 | 500 | 3.22 |
| RBV 60-60S | 60 | 600 | 4.31 |

accessories included:
6x **KLR** fixing set (page H33)

| article number | H mm | B mm | G kg |
|-------------------|---------|---------|---------|
| E | | | |
| RBV 60-05E | 60 | 50 | 0.27 |
| RBV 60-10E | 60 | 100 | 0.37 |
| RBV 60-20E | 60 | 200 | 0.67 |

accessories included:
4x **KLR E** fixing set (page H33)

| | | | |
|-------------------|----|-----|------|
| E | | | |
| RBV 60-30E | 60 | 300 | 1.30 |
| RBV 60-40E | 60 | 400 | 1.92 |

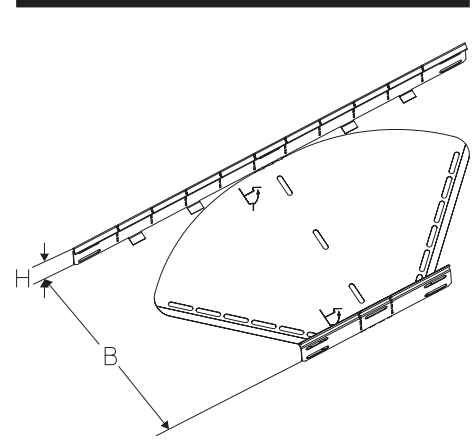
accessories included:
5x **KLR E** fixing set (page H33)

| | | | |
|-------------------|----|-----|------|
| E | | | |
| RBV 60-50E | 60 | 500 | 3.29 |
| RBV 60-60E | 60 | 600 | 4.41 |

accessories included:
6x **KLR E** fixing set (page H33)

| article number | H mm | B mm | G kg |
|--------------------|---------|---------|---------|
| E4 | | | |
| RBV 60-05E4 | 60 | 50 | 0.27 |
| RBV 60-10E4 | 60 | 100 | 0.37 |
| RBV 60-20E4 | 60 | 200 | 0.67 |

accessories included:
4x **KLR E4** fixing set (page H33)



Cable trays

Fittings

RBV 60 cable tray bend, variable, height=60 mm

Variable cable tray bend 0 - 90° for horizontal change of direction with integrated connectors. With elongated holes for fastening separating strips or brackets. To obtain more stability at larger angles, the outer side can be connected to the bottom from a width of 200 mm. For cable protection, the edges at the head of the variable cable tray bend are folded over. This article is available made in material No. 1.4571/1.4404 (V4A) stainless steel finish.

The variable cable tray bend is in a flat condition on delivery. For assembly, the inner and outer sides must be bent up. Attention must be paid to the correct alignment of the head shape.

| article number | H mm | B mm | G kg |
|--------------------|---------|---------|---------|
| E4 | | | |
| RBV 60-30E4 | 60 | 300 | 1.30 |
| RBV 60-40E4 | 60 | 400 | 1.92 |

accessories included:
5x **KLR E4** fixing set (page H33)

| | | | |
|--------------------|----|-----|------|
| E4 | | | |
| RBV 60-50E4 | 60 | 500 | 3.29 |
| RBV 60-60E4 | 60 | 600 | 4.41 |

accessories included:
6x **KLR E4** fixing set (page H33)

RBV 85 cable tray bend, variable, height=85 mm

Variable cable tray bend 0 - 90° for horizontal change of direction with integrated connectors. With elongated holes for fastening separating strips or brackets. To obtain more stability at larger angles, the outer side can be connected to the bottom from a width of 200 mm. For cable protection, the edges at the head of the variable cable tray bend are folded over.

The variable cable tray bend is in a flat condition on delivery. For assembly, the inner and outer sides must be bent up. Attention must be paid to the correct alignment of the head shape.

| article number | H mm | B mm | G kg |
|-------------------|---------|---------|---------|
| S | | | |
| RBV 85-10S | 85 | 100 | 0.44 |
| RBV 85-20S | 85 | 200 | 0.74 |

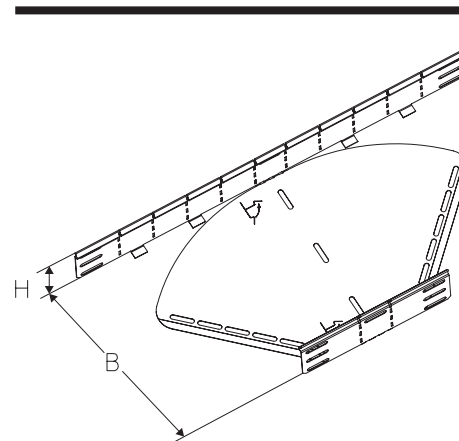
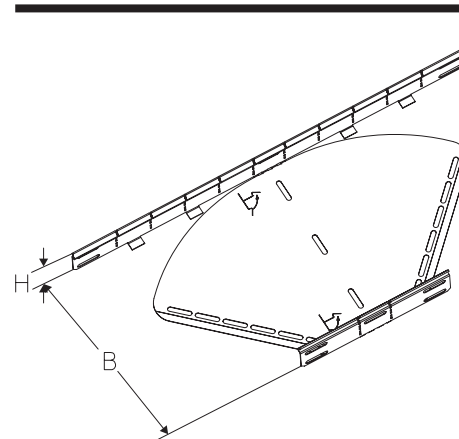
accessories included:
6x **KLR** fixing set (page H33)

| | | | |
|-------------------|----|-----|------|
| S | | | |
| RBV 85-30S | 85 | 300 | 1.46 |
| RBV 85-40S | 85 | 400 | 2.09 |

accessories included:
7x **KLR** fixing set (page H33)

| | | | |
|-------------------|----|-----|------|
| S | | | |
| RBV 85-50S | 85 | 500 | 3.53 |
| RBV 85-60S | 85 | 600 | 4.69 |

accessories included:
8x **KLR** fixing set (page H33)



Cable trays

Fittings

RB45 60 cable tray bend, height=60 mm

This article is also available made in stainless steel finish, material No. 1.4571 / 1.4404 (V4A).
For an application example, see the chapter assembly.

| article number | H mm | B mm | G kg |
|----------------|---------|---------|---------|
| S | | | |
| RB45 60-10S | 60 | 100 | 0,50 |
| RB45 60-20S | 60 | 200 | 0,80 |
| RB45 60-30S | 60 | 300 | 1,20 |
| RB45 60-40S | 60 | 400 | 1,60 |
| RB45 60-50S | 60 | 500 | 2,50 |
| RB45 60-60S | 60 | 600 | 3,20 |

accessories included:
2 x **KLR** fixing set (page H33)

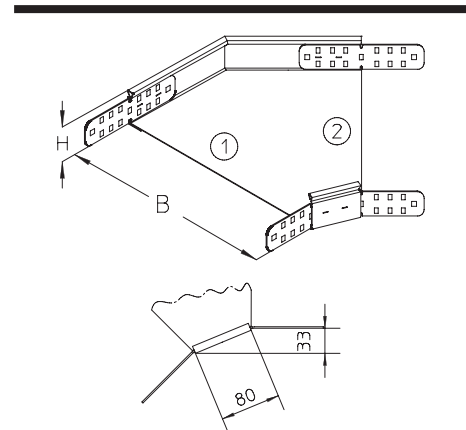
accessories optional:
VB connection plate (page B47)

| article number | H mm | B mm | G kg |
|----------------|---------|---------|---------|
| F | | | |
| RB45 60-10F | 60 | 100 | 0,60 |
| RB45 60-20F | 60 | 200 | 0,80 |
| RB45 60-30F | 60 | 300 | 1,30 |
| RB45 60-40F | 60 | 400 | 1,80 |
| RB45 60-50F | 60 | 500 | 2,70 |
| RB45 60-60F | 60 | 600 | 3,50 |

| article number | H mm | B mm | G kg |
|----------------|---------|---------|---------|
| E | | | |
| RB45 60-10E | 60 | 100 | 0,40 |
| RB45 60-20E | 60 | 200 | 0,70 |
| RB45 60-30E | 60 | 300 | 1,10 |
| RB45 60-40E | 60 | 400 | 1,50 |
| RB45 60-50E | 60 | 500 | 2,40 |
| RB45 60-60E | 60 | 600 | 3,10 |

accessories included:
2 x **KLR E** fixing set (page H33)

accessories optional:
VB connection plate (page B47)



Cable trays

Fittings

RB45 85 cable tray bend, height=85 mm

For an application example, see the chapter assembly.

| article number | H mm | B mm | G kg |
|----------------|---------|---------|---------|
| S | | | |
| RB45 85-10S | 85 | 100 | 0,70 |
| RB45 85-20S | 85 | 200 | 1,00 |
| RB45 85-30S | 85 | 300 | 1,40 |
| RB45 85-40S | 85 | 400 | 1,90 |
| RB45 85-50S | 85 | 500 | 2,70 |
| RB45 85-60S | 85 | 600 | 3,50 |

accessories included:
4 x **KLR** fixing set (page H33)

| article number | H mm | B mm | G kg |
|----------------|---------|---------|---------|
| F | | | |
| RB45 85-10F | 85 | 100 | 0,80 |
| RB45 85-20F | 85 | 200 | 1,10 |
| RB45 85-30F | 85 | 300 | 1,50 |
| RB45 85-40F | 85 | 400 | 2,10 |
| RB45 85-50F | 85 | 500 | 3,00 |
| RB45 85-60F | 85 | 600 | 3,80 |

accessories included:
4 x **KLR E** fixing set (page H33)

accessories optional:
VB connection plate (page B47)

RB45 110 cable tray bend, height=110 mm

This article is also available made in stainless steel finish, material No. 1.4571 / 1.4404 (V4A).
For an application example, see the chapter assembly.

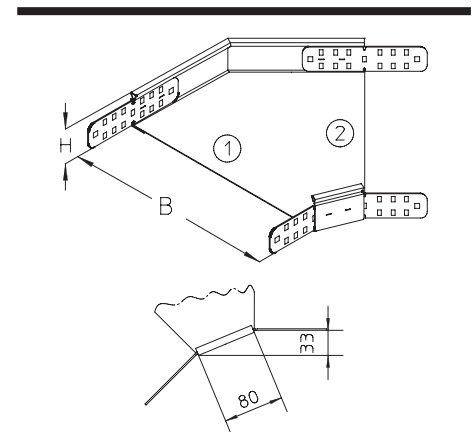
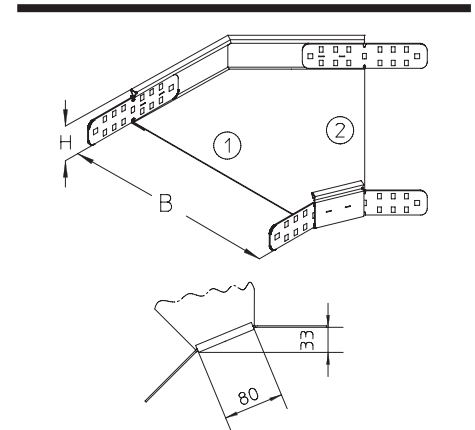
| article number | H mm | B mm | G kg |
|----------------|---------|---------|---------|
| S | | | |
| RB45 110-10S | 110 | 100 | 0,90 |
| RB45 110-20S | 110 | 200 | 1,10 |
| RB45 110-30S | 110 | 300 | 1,60 |
| RB45 110-40S | 110 | 400 | 2,10 |
| RB45 110-50S | 110 | 500 | 2,90 |
| RB45 110-60S | 110 | 600 | 3,70 |

accessories included:
4 x **KLR** fixing set (page H33)

| article number | H mm | B mm | G kg |
|----------------|---------|---------|---------|
| F | | | |
| RB45 110-10F | 110 | 100 | 1,00 |
| RB45 110-20F | 110 | 200 | 1,30 |
| RB45 110-30F | 110 | 300 | 1,80 |
| RB45 110-40F | 110 | 400 | 2,30 |
| RB45 110-50F | 110 | 500 | 3,20 |
| RB45 110-60F | 110 | 600 | 4,10 |

accessories included:
4 x **KLR E** fixing set (page H33)

accessories optional:
VB connection plate (page B47)



Cable trays

Fittings

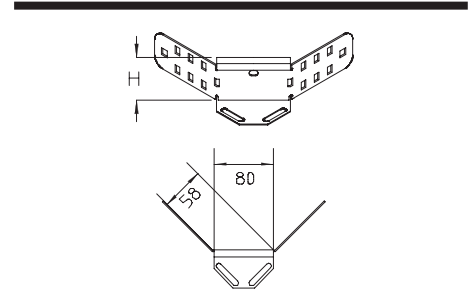
RAE 35 cable tray attachment corner, height=35 mm

For an application example, see the chapter assembly.

| article number | H mm | G kg |
|----------------|---------|---------|
| S | | |
| RAE 35S | 35 | 0,15 |
| F | | |
| RAE 35F | 35 | 0,17 |

accessories optional:

VB connection plate (page B47)



RAE 60 cable tray attachment corner, height=60 mm

For an application example, see the chapter assembly.

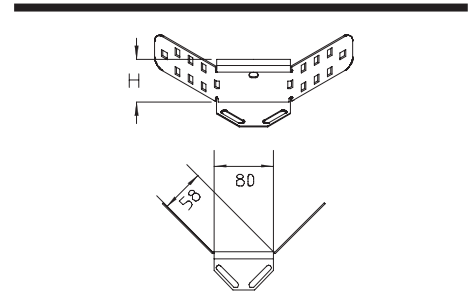
| article number | H mm | G kg |
|----------------|---------|---------|
| S | | |
| RAE 60S | 60 | 0,30 |
| F | | |
| RAE 60F | 60 | 0,30 |
| E | | |
| RAE 60E | 60 | 0,30 |

accessories included:

3 x **KLR** fixing set (page H33)

accessories optional:

VB connection plate (page B47)



RAE 110 cable tray attachment corner, height=110 mm

For an application example, see the chapter assembly.

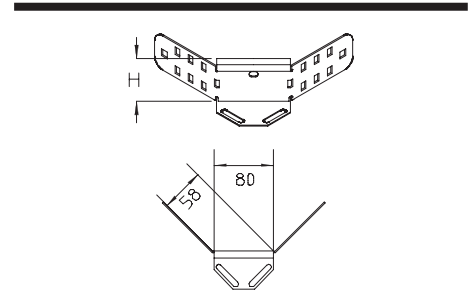
| article number | H mm | G kg |
|-----------------|---------|---------|
| S | | |
| RAE 110S | 110 | 0,60 |
| F | | |
| RAE 110F | 110 | 0,60 |
| E | | |
| RAE 110E | 110 | 0,60 |

accessories included:

3 x **KLR** fixing set (page H33)

accessories optional:

VB connection plate (page B47)



Cable trays

Fittings

RAA 35 cable tray attachment branch-piece, height=35 mm

For an application example, see the chapter assembly.

| article number | H mm | B mm | G kg |
|----------------|---------|---------|---------|
| S | | | |
| RAA 35-10S | 35 | 100 | 0,50 |
| RAA 35-20S | 35 | 200 | 0,60 |
| RAA 35-30S | 35 | 300 | 0,80 |

accessories included:
2 x **KLR** fixing set (page H33)

| article number | H mm | B mm | G kg |
|----------------|---------|---------|---------|
| F | | | |
| RAA 35-10F | 35 | 100 | 0,50 |
| RAA 35-20F | 35 | 200 | 0,70 |
| RAA 35-30F | 35 | 300 | 0,80 |

accessories included:
2 x **KLR E** fixing set (page H33)

accessories optional:
VB connection plate (page B47)

RAA 60 cable tray attachment branch-piece, height=60 mm

This article is also available made in stainless steel finish, material No. 1.4571 / 1.4404 (V4A).
For an application example, see the chapter assembly.

| article number | H mm | B mm | G kg |
|----------------|---------|---------|---------|
| S | | | |
| RAA 60-10S | 60 | 100 | 0,80 |
| RAA 60-20S | 60 | 200 | 0,90 |
| RAA 60-30S | 60 | 300 | 1,00 |
| RAA 60-40S | 60 | 400 | 1,20 |
| RAA 60-50S | 60 | 500 | 1,30 |
| RAA 60-60S | 60 | 600 | 1,40 |

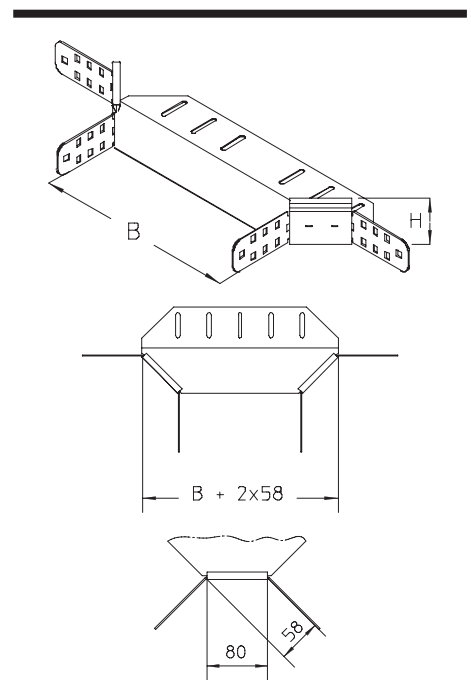
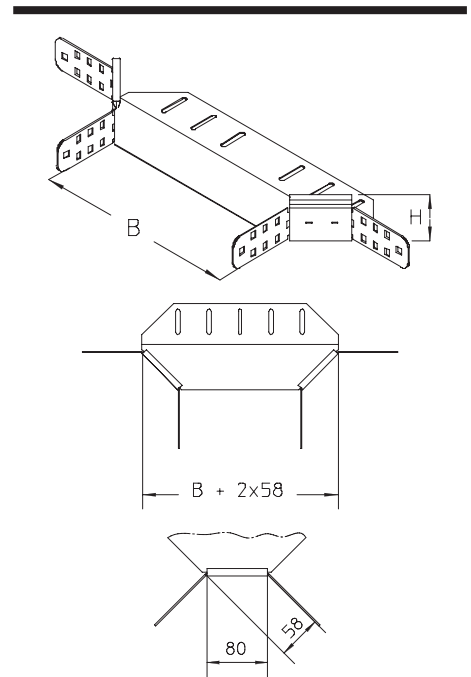
accessories included:
2 x **KLR** fixing set (page H33)

| article number | H mm | B mm | G kg |
|----------------|---------|---------|---------|
| F | | | |
| RAA 60-10F | 60 | 100 | 0,80 |
| RAA 60-20F | 60 | 200 | 1,00 |
| RAA 60-30F | 60 | 300 | 1,10 |
| RAA 60-40F | 60 | 400 | 1,30 |
| RAA 60-50F | 60 | 500 | 1,40 |
| RAA 60-60F | 60 | 600 | 1,50 |

| | | | |
|------------|----|-----|------|
| E | | | |
| RAA 60-10E | 60 | 100 | 0,70 |
| RAA 60-20E | 60 | 200 | 0,80 |
| RAA 60-30E | 60 | 300 | 1,00 |
| RAA 60-40E | 60 | 400 | 1,10 |
| RAA 60-50E | 60 | 500 | 1,20 |
| RAA 60-60E | 60 | 600 | 1,40 |

accessories included:
2 x **KLR E** fixing set (page H33)

accessories optional:
VB connection plate (page B47)



Cable trays

Fittings

RAA 85 cable tray attachment branch-piece, height=85 mm

For an application example, see the chapter assembly.

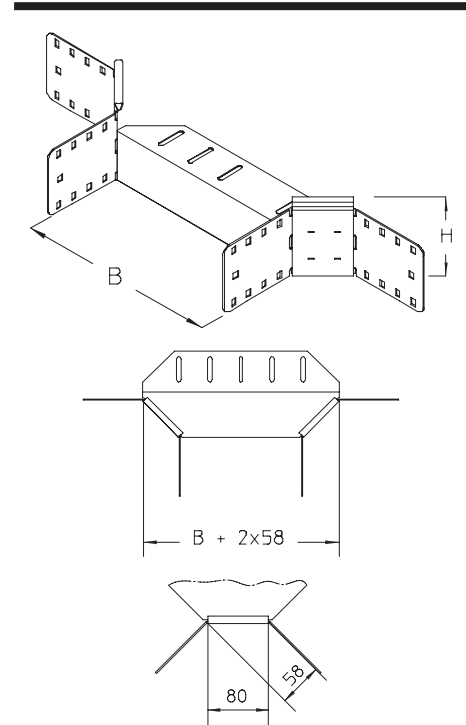
| article number | H mm | B mm | G kg |
|----------------|---------|---------|---------|
| S | | | |
| RAA 85-10S | 85 | 100 | 1,00 |
| RAA 85-20S | 85 | 200 | 1,20 |
| RAA 85-30S | 85 | 300 | 1,30 |
| RAA 85-40S | 85 | 400 | 1,40 |
| RAA 85-50S | 85 | 500 | 1,60 |
| RAA 85-60S | 85 | 600 | 1,70 |

accessories included:
4 x **KLR** fixing set (page H33)

| article number | H mm | B mm | G kg |
|----------------|---------|---------|---------|
| F | | | |
| RAA 85-10F | 85 | 100 | 1,10 |
| RAA 85-20F | 85 | 200 | 1,20 |
| RAA 85-30F | 85 | 300 | 1,40 |
| RAA 85-40F | 85 | 400 | 1,50 |
| RAA 85-50F | 85 | 500 | 1,70 |
| RAA 85-60F | 85 | 600 | 1,80 |

accessories included:
4 x **KLR E** fixing set (page H33)

accessories optional:
VB connection plate (page B47)



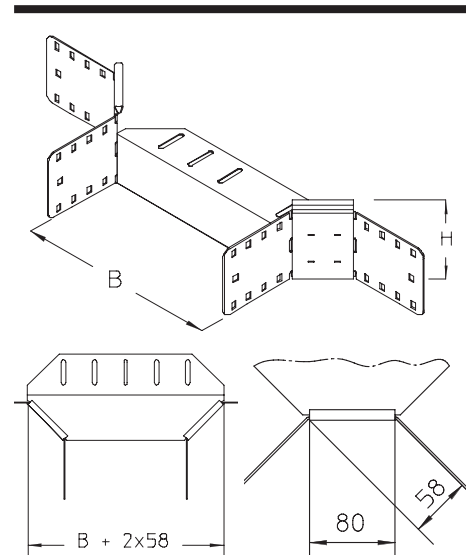
RAA 110 cable tray attachment branch-piece, height=110 mm

This article is also available made in stainless steel finish, material No. 1.4571 / 1.4404 (V4A).
For an application example, see the chapter assembly.

| article number | H mm | B mm | G kg |
|----------------|---------|---------|---------|
| S | | | |
| RAA 110-10S | 110 | 100 | 1,20 |
| RAA 110-20S | 110 | 200 | 1,40 |
| RAA 110-30S | 110 | 300 | 1,50 |
| RAA 110-40S | 110 | 400 | 1,70 |
| RAA 110-50S | 110 | 500 | 1,80 |
| RAA 110-60S | 110 | 600 | 1,90 |

accessories included:
4 x **KLR** fixing set (page H33)

accessories optional:
VB connection plate (page B47)



Cable trays

Fittings

RA 35 cable tray branch-piece, height=35 mm

For an application example, see the chapter assembly.

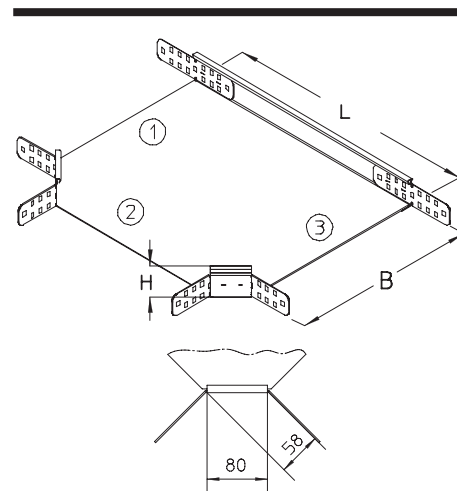
| article number | H mm | B mm | L mm | G kg |
|----------------|---------|---------|---------|---------|
| S | | | | |
| RA 35-10S | 35 | 100 | 214 | 0,80 |
| RA 35-20S | 35 | 200 | 314 | 1,30 |
| RA 35-30S | 35 | 300 | 414 | 2,00 |

accessories included:
3 x **KLR** fixing set (page H33)

| article number | H mm | B mm | L mm | G kg |
|----------------|---------|---------|---------|---------|
| F | | | | |
| RA 35-10F | 35 | 100 | 214 | 0,80 |
| RA 35-20F | 35 | 200 | 314 | 1,40 |
| RA 35-30F | 35 | 300 | 414 | 2,20 |

accessories included:
3 x **KLR E** fixing set (page H33)

accessories optional:
VB connection plate (page B47)



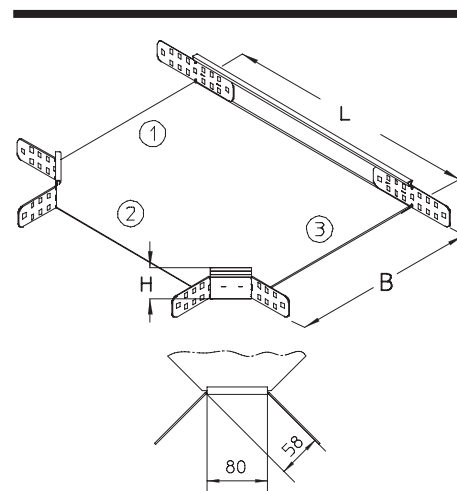
RA 60 cable tray branch-piece, height=60 mm

This article is also available made in stainless steel finish, material No. 1.4571 / 1.4404 (V4A).
For an application example, see the chapter assembly.

| article number | H mm | B mm | L mm | G kg |
|----------------|---------|---------|---------|---------|
| S | | | | |
| RA 60-10S | 60 | 100 | 214 | 1,30 |
| RA 60-20S | 60 | 200 | 314 | 1,80 |
| RA 60-30S | 60 | 300 | 414 | 2,60 |
| RA 60-40S | 60 | 400 | 514 | 3,50 |
| RA 60-50S | 60 | 500 | 614 | 5,30 |
| RA 60-60S | 60 | 600 | 714 | 6,90 |

accessories included:
3 x **KLR** fixing set (page H33)

| article number | H mm | B mm | L mm | G kg |
|----------------|---------|---------|---------|---------|
| F | | | | |
| RA 60-10F | 60 | 100 | 214 | 1,40 |
| RA 60-20F | 60 | 200 | 314 | 1,90 |
| RA 60-30F | 60 | 300 | 414 | 2,80 |
| RA 60-40F | 60 | 400 | 514 | 3,70 |
| RA 60-50F | 60 | 500 | 614 | 5,70 |
| RA 60-60F | 60 | 600 | 714 | 7,40 |



Cable trays

Fittings

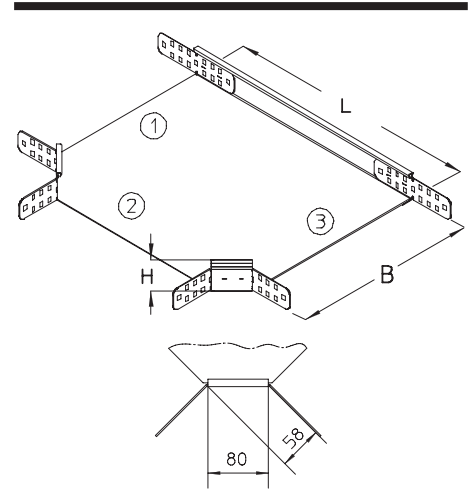
RA 60 cable tray branch-piece, height=60 mm

This article is also available made in stainless steel finish, material No. 1.4571 / 1.4404 (V4A).
For an application example, see the chapter assembly.

| article number | H mm | B mm | L mm | G kg |
|----------------|---------|---------|---------|---------|
| E | | | | |
| RA 60-10E | 60 | 100 | 214 | 1,10 |
| RA 60-20E | 60 | 200 | 314 | 1,60 |
| RA 60-30E | 60 | 300 | 414 | 2,50 |
| RA 60-40E | 60 | 400 | 514 | 3,40 |
| RA 60-50E | 60 | 500 | 614 | 5,20 |
| RA 60-60E | 60 | 600 | 714 | 6,80 |

accessories included:
3 x **KLR E** fixing set (page H33)

accessories optional:
VB connection plate (page B47)



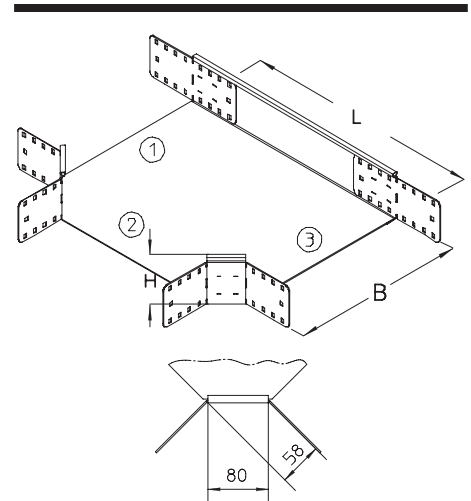
RA 85 cable tray branch-piece, height=85 mm

For an application example, see the chapter assembly.

| article number | H mm | B mm | L mm | G kg |
|----------------|---------|---------|---------|---------|
| S | | | | |
| RA 85-10S | 85 | 100 | 214 | 1,70 |
| RA 85-20S | 85 | 200 | 314 | 2,30 |
| RA 85-30S | 85 | 300 | 414 | 3,10 |
| RA 85-40S | 85 | 400 | 514 | 4,10 |
| RA 85-50S | 85 | 500 | 614 | 5,80 |
| RA 85-60S | 85 | 600 | 714 | 7,40 |

accessories included:
6 x **KLR** fixing set (page H33)

accessories optional:
VB connection plate (page B47)



| article number | H mm | B mm | L mm | G kg |
|----------------|---------|---------|---------|---------|
| F | | | | |
| RA 85-10F | 85 | 100 | 214 | 1,90 |
| RA 85-20F | 85 | 200 | 314 | 2,50 |
| RA 85-30F | 85 | 300 | 414 | 3,30 |
| RA 85-40F | 85 | 400 | 514 | 4,40 |
| RA 85-50F | 85 | 500 | 614 | 6,20 |
| RA 85-60F | 85 | 600 | 714 | 7,90 |

accessories included:
6 x **KLR E** fixing set (page H33)

accessories optional:
VB connection plate (page B47)

Cable trays

Fittings

RA 110 cable tray branch-piece, height=110 mm

This article is also available made in stainless steel finish, material No. 1.4571 / 1.4404 (V4A).
For an application example, see the chapter assembly.

| article number | H mm | B mm | L mm | G kg |
|----------------|---------|---------|---------|---------|
| S | | | | |
| RA 110-10S | 110 | 100 | 214 | 2,20 |
| RA 110-20S | 110 | 200 | 314 | 2,90 |
| RA 110-30S | 110 | 300 | 414 | 3,60 |
| RA 110-40S | 110 | 400 | 514 | 4,60 |
| RA 110-50S | 110 | 500 | 614 | 6,30 |
| RA 110-60S | 110 | 600 | 714 | 7,90 |

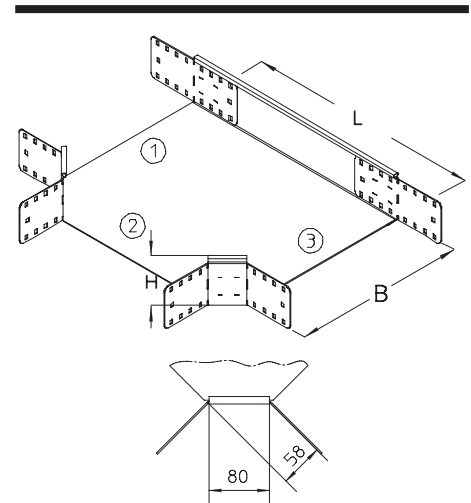
accessories included:
6 x **KLR** fixing set (page H33)

| article number | H mm | B mm | L mm | G kg |
|----------------|---------|---------|---------|---------|
| F | | | | |
| RA 110-10F | 110 | 100 | 214 | 2,40 |
| RA 110-20F | 110 | 200 | 314 | 3,10 |
| RA 110-30F | 110 | 300 | 414 | 3,90 |
| RA 110-40F | 110 | 400 | 514 | 4,90 |
| RA 110-50F | 110 | 500 | 614 | 6,70 |
| RA 110-60F | 110 | 600 | 714 | 8,50 |

| article number | H mm | B mm | L mm | G kg |
|----------------|---------|---------|---------|---------|
| E | | | | |
| RA 110-10E | 110 | 100 | 214 | 2,00 |
| RA 110-20E | 110 | 200 | 314 | 2,70 |
| RA 110-30E | 110 | 300 | 414 | 3,30 |
| RA 110-40E | 110 | 400 | 514 | 4,20 |
| RA 110-50E | 110 | 500 | 614 | 6,10 |
| RA 110-60E | 110 | 600 | 714 | 7,60 |

accessories included:
6 x **KLR E** fixing set (page H33)

accessories optional:
VB connection plate (page B47)



B

Cable trays

Fittings

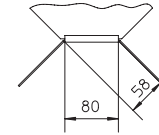
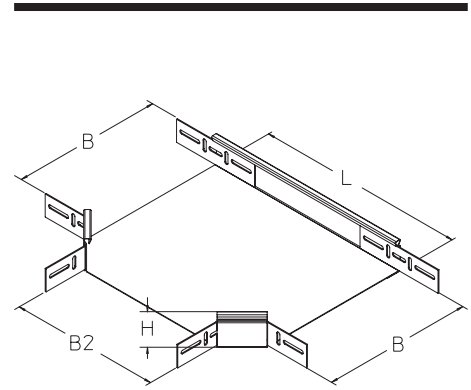
RIA 60 cable installation tray branch, height=60 mm

Cable tray branch in t-shape, integrated connectors.

| article number | H mm | B mm | B2 mm | L mm | G kg |
|----------------------|---------|---------|----------|---------|---------|
| S | | | | | |
| RIA 60-05S | 60 | 50 | 50 | 164 | 0.94 |
| RIA 60-10S | 60 | 100 | 100 | 214 | 1.21 |
| RIA 60-20S | 60 | 200 | 200 | 314 | 1.76 |
| RIA 60-30S | 60 | 300 | 300 | 414 | 2.50 |
| RIA 60-10-05S | 60 | 100 | 50 | 164 | 1.02 |
| RIA 60-20-10S | 60 | 200 | 100 | 214 | 1.42 |
| RIA 60-30-20S | 60 | 300 | 200 | 314 | 2.06 |

accessories included:
3x **KLR** fixing set (page H33)

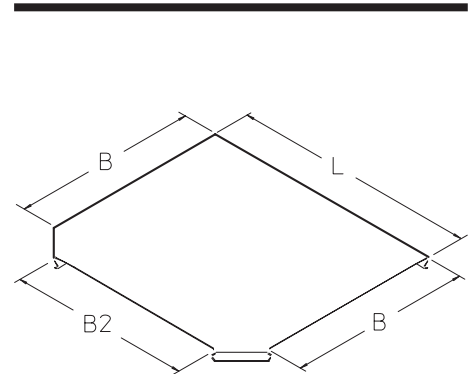
accessories optional:
RAD cable tray branch cover (page B61)
RIADS cable installation tray branch cover, heavy (page B32)



RIADS cable installation tray branch cover, heavy

Cable tray branch cover for cable tray branch, positive locking.

| article number | B mm | B2 mm | t mm | G kg |
|---------------------|---------|----------|---------|---------|
| S | | | | |
| RIADS 05S | 50 | 50 | 1.50 | 0.14 |
| RIADS 10S | 100 | 100 | 1.50 | 0.20 |
| RIADS 20S | 200 | 200 | 1.50 | 0.40 |
| RIADS 30S | 300 | 300 | 1.50 | 1.10 |
| RIADS 10-05S | 100 | 50 | 1.50 | 0.18 |
| RIADS 20-10S | 200 | 100 | 1.50 | 0.40 |
| RIADS 30-20S | 300 | 200 | 1.50 | 1.10 |



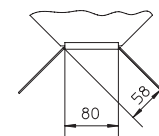
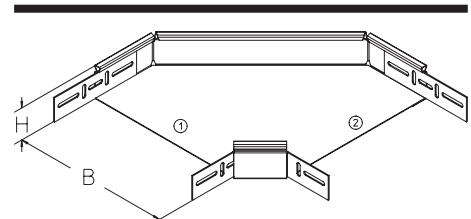
RIB 60 cable installation tray bend, height=60 mm

Cable tray bend 90 for horizontal change of direction with integrated connectors.

| article number | H mm | B mm | G kg |
|-------------------|---------|---------|---------|
| S | | | |
| RIB 60-05S | 60 | 50 | 0.56 |
| RIB 60-10S | 60 | 100 | 0.77 |
| RIB 60-20S | 60 | 200 | 1.29 |
| RIB 60-30S | 60 | 300 | 1.92 |

accessories included:
2x **KLR** fixing set (page H33)

accessories optional:
RBD cable tray bend cover (page B57)
RIBDS cable installation tray bend cover, heavy (page B33)



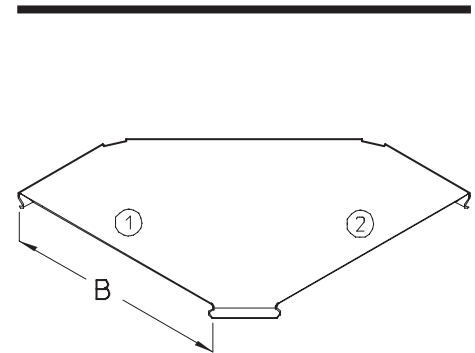
Cable trays

Fittings

RIBDS cable installation tray bend cover, heavy

Cable tray bend cover, positive locking.

| article number | B mm | t mm | G kg |
|------------------|---------|---------|---------|
| S | | | |
| RIBDS 05S | 50 | 1.50 | 0.07 |
| RIBDS 10S | 100 | 1.50 | 0.20 |
| RIBDS 20S | 200 | 1.50 | 0.40 |
| RIBDS 30S | 300 | 1.50 | 1.00 |



RK 35 cable tray crossover, height=35 mm

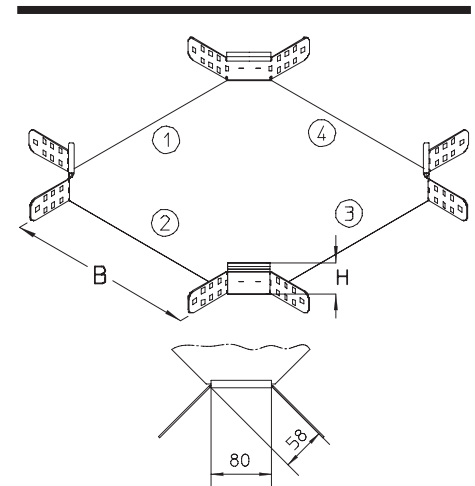
| article number | H mm | B mm | G kg |
|------------------|---------|---------|---------|
| S | | | |
| RK 35-10S | 35 | 100 | 0,60 |
| RK 35-20S | 35 | 200 | 0,90 |
| RK 35-30S | 35 | 300 | 1,70 |

accessories included:
4 x **KLR** fixing set (page H33)

| article number | H mm | B mm | G kg |
|------------------|---------|---------|---------|
| F | | | |
| RK 35-10F | 35 | 100 | 0,70 |
| RK 35-20F | 35 | 200 | 1,00 |
| RK 35-30F | 35 | 300 | 1,80 |

accessories included:
4 x **KLR E** fixing set (page H33)

accessories optional:
VB connection plate (page B47)



Cable trays

Fittings

RK 60 cable tray crossover, height=60 mm

This article is also available made in stainless steel finish, material No. 1.4571 / 1.4404 (V4A).

| article number | H mm | B mm | G kg |
|------------------|---------|---------|---------|
| S | | | |
| RK 60-10S | 60 | 100 | 1,00 |
| RK 60-20S | 60 | 200 | 1,30 |
| RK 60-30S | 60 | 300 | 2,00 |
| RK 60-40S | 60 | 400 | 2,80 |
| RK 60-50S | 60 | 500 | 4,40 |
| RK 60-60S | 60 | 600 | 5,70 |

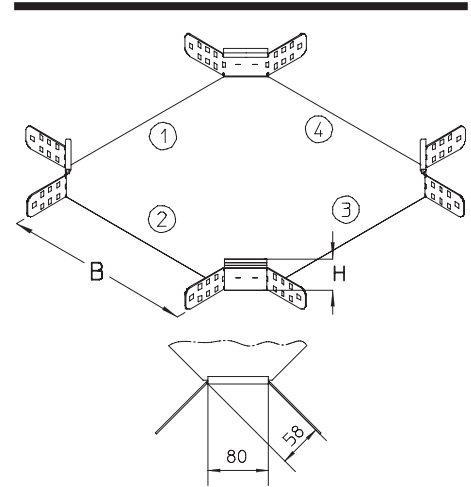
accessories included:
4 x **KLR** fixing set (page H33)

| article number | H mm | B mm | G kg |
|------------------|---------|---------|---------|
| F | | | |
| RK 60-10F | 60 | 100 | 1,10 |
| RK 60-20F | 60 | 200 | 1,40 |
| RK 60-30F | 60 | 300 | 2,10 |
| RK 60-40F | 60 | 400 | 3,00 |
| RK 60-50F | 60 | 500 | 4,70 |
| RK 60-60F | 60 | 600 | 6,10 |

| article number | H mm | B mm | G kg |
|------------------|---------|---------|---------|
| E | | | |
| RK 60-10E | 60 | 100 | 0,90 |
| RK 60-20E | 60 | 200 | 1,20 |
| RK 60-30E | 60 | 300 | 1,90 |
| RK 60-40E | 60 | 400 | 2,70 |
| RK 60-50E | 60 | 500 | 4,30 |
| RK 60-60E | 60 | 600 | 5,60 |

accessories included:
4 x **KLR E** fixing set (page H33)

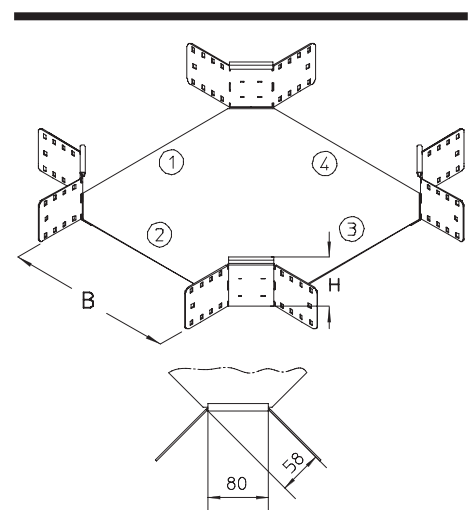
accessories optional:
VB connection plate (page B47)



RK 85 cable tray crossover, height=85 mm

| article number | H mm | B mm | G kg |
|------------------|---------|---------|---------|
| S | | | |
| RK 85-10S | 85 | 100 | 1,50 |
| RK 85-20S | 85 | 200 | 2,00 |
| RK 85-30S | 85 | 300 | 2,50 |
| RK 85-40S | 85 | 400 | 3,80 |
| RK 85-50S | 85 | 500 | 4,90 |
| RK 85-60S | 85 | 600 | 6,20 |

accessories included:
8 x **KLR** fixing set (page H33)



Cable trays

Fittings

RK 85 cable tray crossover, height=85 mm

| article number | H mm | B mm | G kg |
|------------------|---------|---------|---------|
| F | | | |
| RK 85-10F | 85 | 100 | 1,60 |
| RK 85-20F | 85 | 200 | 2,10 |
| RK 85-30F | 85 | 300 | 2,70 |
| RK 85-40F | 85 | 400 | 4,10 |
| RK 85-50F | 85 | 500 | 5,20 |
| RK 85-60F | 85 | 600 | 6,60 |

accessories included:
8 x **KLR E** fixing set (page H33)

accessories optional:
VB connection plate (page B47)

RK 110 cable tray crossover, height=110 mm

This article is also available made in stainless steel finish, material No. 1.4571 / 1.4404 (V4A).

| article number | H mm | B mm | G kg |
|-------------------|---------|---------|---------|
| S | | | |
| RK 110-10S | 110 | 100 | 1,70 |
| RK 110-20S | 110 | 200 | 2,40 |
| RK 110-30S | 110 | 300 | 3,00 |
| RK 110-40S | 110 | 400 | 4,20 |
| RK 110-50S | 110 | 500 | 5,30 |
| RK 110-60S | 110 | 600 | 6,60 |

accessories included:
8 x **KLR** fixing set (page H33)

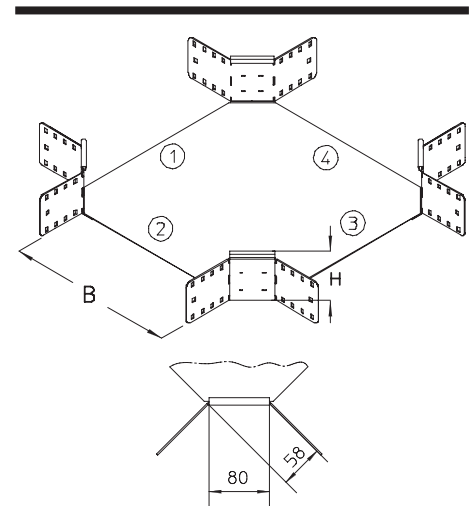
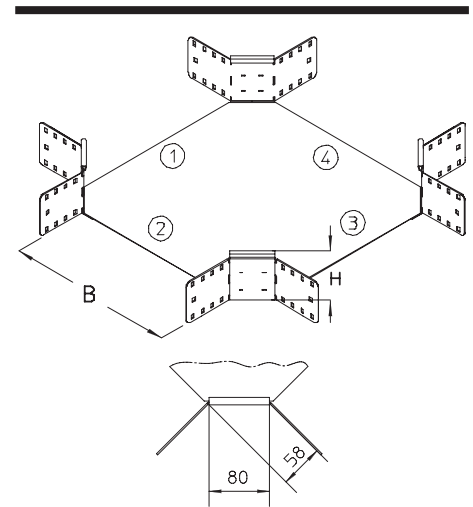
| article number | H mm | B mm | G kg |
|-------------------|---------|---------|---------|
| F | | | |
| RK 110-10F | 110 | 100 | 1,80 |
| RK 110-20F | 110 | 200 | 2,60 |
| RK 110-30F | 110 | 300 | 3,20 |
| RK 110-40F | 110 | 400 | 4,50 |
| RK 110-50F | 110 | 500 | 5,70 |
| RK 110-60F | 110 | 600 | 7,10 |

accessories included:
8 x **KLR E** fixing set (page H33)

| article number | H mm | B mm | G kg |
|-------------------|---------|---------|---------|
| E | | | |
| RK 110-10E | 110 | 100 | 1,50 |
| RK 110-20E | 110 | 200 | 2,20 |
| RK 110-30E | 110 | 300 | 2,80 |
| RK 110-40E | 110 | 400 | 4,00 |
| RK 110-50E | 110 | 500 | 5,10 |
| RK 110-60E | 110 | 600 | 6,40 |

accessories included:
8 x **KLR E** fixing set (page H33)

accessories optional:
VB connection plate (page B47)



Cable trays

Fittings

RVB 35 cable tray vertical bend, height=35 mm

For an application example, see the chapter assembly.

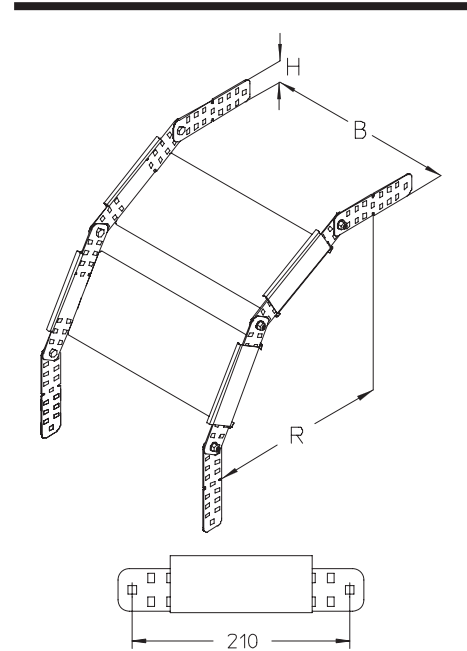
| article number | H mm | B mm | R mm | G kg |
|-------------------|---------|---------|---------|---------|
| S | | | | |
| RVB 35-10S | 35 | 100 | 280 | 1,40 |
| RVB 35-20S | 35 | 200 | 280 | 1,90 |
| RVB 35-30S | 35 | 300 | 280 | 2,40 |

accessories included:
2 x **KLR** fixing set (page H33)

| article number | H mm | B mm | R mm | G kg |
|-------------------|---------|---------|---------|---------|
| F | | | | |
| RVB 35-10F | 35 | 100 | 280 | 1,50 |
| RVB 35-20F | 35 | 200 | 280 | 2,00 |
| RVB 35-30F | 35 | 300 | 280 | 2,60 |

accessories included:
2 x **KLR E** fixing set (page H33)

accessories optional:
REB cable tray end-plate (page B47)



RVB 60 cable tray vertical bend, height=60 mm

This article is also available made in stainless steel finish, material No. 1.4571 / 1.4404 (V4A).
For an application example, see the chapter assembly.

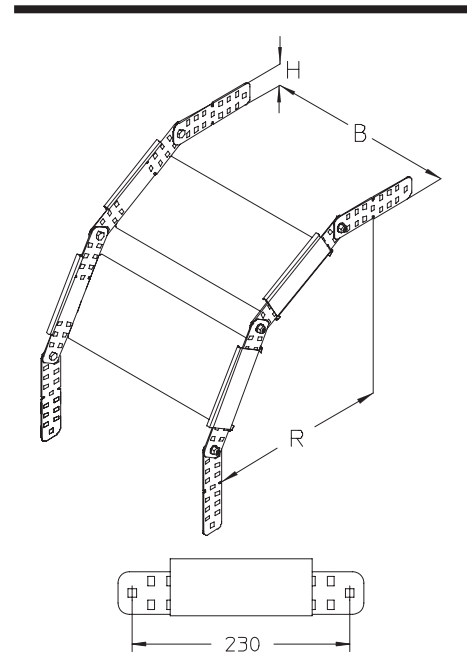
| article number | H mm | B mm | R mm | G kg |
|-------------------|---------|---------|---------|---------|
| S | | | | |
| RVB 60-10S | 60 | 100 | 300 | 2,00 |
| RVB 60-20S | 60 | 200 | 300 | 2,50 |
| RVB 60-30S | 60 | 300 | 300 | 3,00 |
| RVB 60-40S | 60 | 400 | 300 | 3,50 |
| RVB 60-50S | 60 | 500 | 300 | 4,00 |
| RVB 60-60S | 60 | 600 | 300 | 4,50 |

accessories included:
2 x **KLR** fixing set (page H33)

| article number | H mm | B mm | R mm | G kg |
|-------------------|---------|---------|---------|---------|
| F | | | | |
| RVB 60-10F | 60 | 100 | 300 | 2,10 |
| RVB 60-20F | 60 | 200 | 300 | 2,70 |
| RVB 60-30F | 60 | 300 | 300 | 3,20 |
| RVB 60-40F | 60 | 400 | 300 | 3,80 |
| RVB 60-50F | 60 | 500 | 300 | 4,30 |
| RVB 60-60F | 60 | 600 | 300 | 4,80 |

accessories included:
2 x **KLR E** fixing set (page H33)

accessories optional:
REB cable tray end-plate (page B47)



Cable trays

Fittings

RVB 85 cable tray vertical bend, height=85 mm

For an application example, see the chapter assembly.

| article number | H mm | B mm | R mm | G kg |
|-------------------|---------|---------|---------|---------|
| S | | | | |
| RVB 85-10S | 85 | 100 | 330 | 2,80 |
| RVB 85-20S | 85 | 200 | 330 | 3,30 |
| RVB 85-30S | 85 | 300 | 330 | 3,80 |
| RVB 85-40S | 85 | 400 | 330 | 4,30 |
| RVB 85-50S | 85 | 500 | 330 | 4,80 |
| RVB 85-60S | 85 | 600 | 330 | 5,30 |

accessories included:
4 x **KLR** fixing set (page H33)

| article number | H mm | B mm | R mm | G kg |
|-------------------|---------|---------|---------|---------|
| F | | | | |
| RVB 85-10F | 85 | 100 | 330 | 3,00 |
| RVB 85-20F | 85 | 200 | 330 | 3,50 |
| RVB 85-30F | 85 | 300 | 330 | 4,10 |
| RVB 85-40F | 85 | 400 | 330 | 4,60 |
| RVB 85-50F | 85 | 500 | 330 | 5,10 |
| RVB 85-60F | 85 | 600 | 330 | 5,70 |

accessories included:
4 x **KLR E** fixing set (page H33)

accessories optional:
REB cable tray end-plate (page B47)

RVB 110 cable tray vertical bend, height=110 mm

This article is also available made in stainless steel finish, material No. 1.4571 / 1.4404 (V4A).
For an application example, see the chapter assembly.

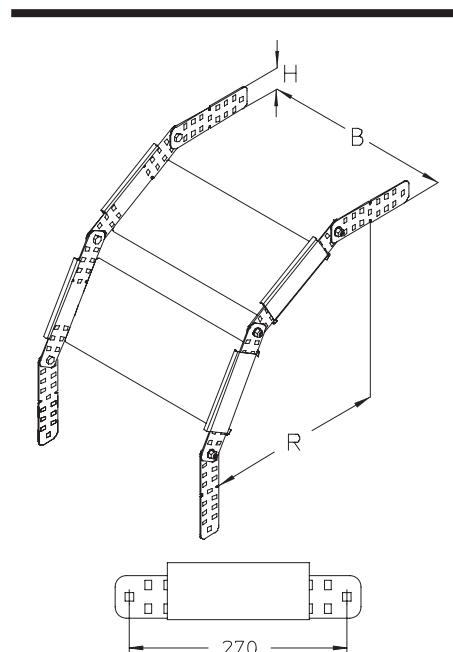
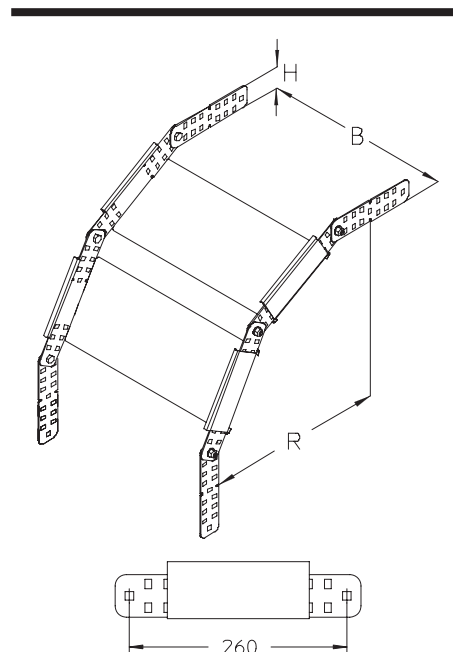
| article number | H mm | B mm | R mm | G kg |
|--------------------|---------|---------|---------|---------|
| S | | | | |
| RVB 110-10S | 110 | 100 | 375 | 3,70 |
| RVB 110-20S | 110 | 200 | 375 | 4,20 |
| RVB 110-30S | 110 | 300 | 375 | 4,70 |
| RVB 110-40S | 110 | 400 | 375 | 5,20 |
| RVB 110-50S | 110 | 500 | 375 | 5,70 |
| RVB 110-60S | 110 | 600 | 375 | 6,20 |

accessories included:
4 x **KLR** fixing set (page H33)

| article number | H mm | B mm | R mm | G kg |
|--------------------|---------|---------|---------|---------|
| F | | | | |
| RVB 110-10F | 110 | 100 | 375 | 4,00 |
| RVB 110-20F | 110 | 200 | 375 | 4,50 |
| RVB 110-30F | 110 | 300 | 375 | 5,00 |
| RVB 110-40F | 110 | 400 | 375 | 5,60 |
| RVB 110-50F | 110 | 500 | 375 | 6,10 |
| RVB 110-60F | 110 | 600 | 375 | 6,60 |

accessories included:
4 x **KLR E** fixing set (page H33)

accessories optional:
REB cable tray end-plate (page B47)



Cable trays

Fittings

RR 35 cable tray reducer, height=35 mm

Please quote the design (left, centred, right) and the side width with your order.
For an application example, see the chapter assembly.

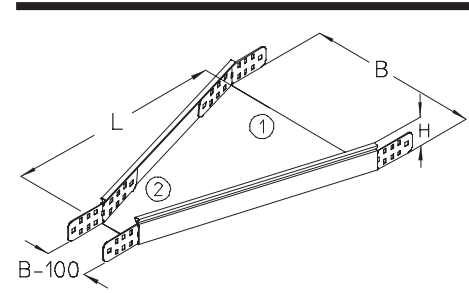
| article number | H mm | B mm | L mm | G kg |
|----------------|---------|---------|---------|---------|
| S | | | | |
| RR 35-20S | 35 | 200 | 500 | 1,20 |
| RR 35-30S | 35 | 300 | 500 | 1,60 |

accessories included:
2 x **KLR** fixing set (page H33)

| article number | H mm | B mm | L mm | G kg |
|----------------|---------|---------|---------|---------|
| F | | | | |
| RR 35-20F | 35 | 200 | 500 | 1,30 |
| RR 35-30F | 35 | 300 | 500 | 1,80 |

accessories included:
2 x **KLR E** fixing set (page H33)

accessories optional:
VB connection plate (page B47)



RR 60 cable tray reducer, height=60 mm

Please quote the design (left, centred, right) and the side width with your order. This article is also available made in stainless steel finish, material No. 1.4571 / 1.4404 (V4A).
For an application example, see the chapter assembly.

| article number | H mm | B mm | L mm | G kg |
|----------------|---------|---------|---------|---------|
| S | | | | |
| RR 60-20S | 60 | 200 | 500 | 1,40 |
| RR 60-30S | 60 | 300 | 500 | 1,80 |
| RR 60-40S | 60 | 400 | 500 | 2,20 |
| RR 60-50S | 60 | 500 | 500 | 2,60 |
| RR 60-60S | 60 | 600 | 500 | 2,90 |

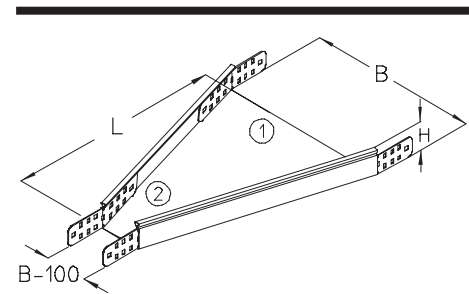
accessories included:
2 x **KLR** fixing set (page H33)

| article number | H mm | B mm | L mm | G kg |
|----------------|---------|---------|---------|---------|
| F | | | | |
| RR 60-20F | 60 | 200 | 500 | 1,60 |
| RR 60-30F | 60 | 300 | 500 | 2,00 |
| RR 60-40F | 60 | 400 | 500 | 2,40 |
| RR 60-50F | 60 | 500 | 500 | 2,90 |
| RR 60-60F | 60 | 600 | 500 | 3,30 |

| article number | H mm | B mm | L mm | G kg |
|----------------|---------|---------|---------|---------|
| E | | | | |
| RR 60-20E | 60 | 200 | 500 | 1,40 |
| RR 60-30E | 60 | 300 | 500 | 1,80 |
| RR 60-40E | 60 | 400 | 500 | 2,20 |
| RR 60-50E | 60 | 500 | 500 | 2,60 |
| RR 60-60E | 60 | 600 | 500 | 3,00 |

accessories included:
2 x **KLR E** fixing set (page H33)

accessories optional:
VB connection plate (page B47)



Cable trays

Fittings

RR 85 cable tray reducer, height=85 mm

Please quote the design (left, centred, right) and the side width with your order.
For an application example, see the chapter assembly.

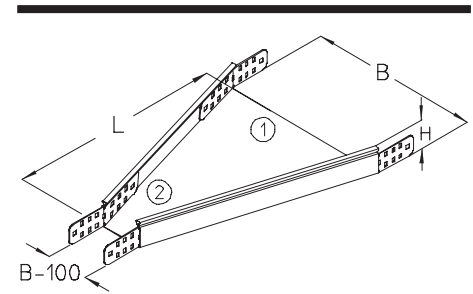
| article number | H mm | B mm | L mm | G kg |
|----------------|---------|---------|---------|---------|
| S | | | | |
| RR 85-20S | 85 | 200 | 500 | 1,70 |
| RR 85-30S | 85 | 300 | 500 | 2,20 |
| RR 85-40S | 85 | 400 | 500 | 2,70 |
| RR 85-50S | 85 | 500 | 500 | 3,20 |
| RR 85-60S | 85 | 600 | 500 | 3,70 |

accessories included:
4 x **KLR** fixing set (page H33)

| article number | H mm | B mm | L mm | G kg |
|----------------|---------|---------|---------|---------|
| F | | | | |
| RR 85-20F | 85 | 200 | 500 | 1,90 |
| RR 85-30F | 85 | 300 | 500 | 2,50 |
| RR 85-40F | 85 | 400 | 500 | 3,00 |
| RR 85-50F | 85 | 500 | 500 | 3,60 |
| RR 85-60F | 85 | 600 | 500 | 4,10 |

accessories included:
4 x **KLR E** fixing set (page H33)

accessories optional:
VB connection plate (page B47)



RR 110 cable tray reducer, height=110 mm

Please quote the design (left, centred, right) and the side width with your order. This article is also available made in stainless steel finish, material No. 1.4571 / 1.4404 (V4A).
For an application example, see the chapter assembly.

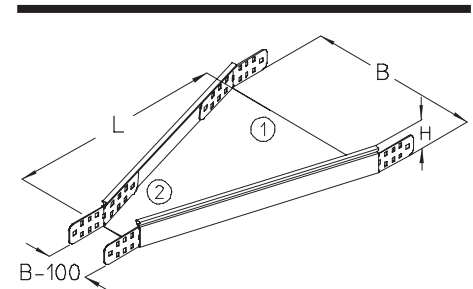
| article number | H mm | B mm | L mm | G kg |
|----------------|---------|---------|---------|---------|
| S | | | | |
| RR 110-20S | 110 | 200 | 500 | 1,90 |
| RR 110-30S | 110 | 300 | 500 | 2,40 |
| RR 110-40S | 110 | 400 | 500 | 2,90 |
| RR 110-50S | 110 | 500 | 500 | 3,40 |
| RR 110-60S | 110 | 600 | 500 | 3,90 |

accessories included:
4 x **KLR** fixing set (page H33)

| article number | H mm | B mm | L mm | G kg |
|----------------|---------|---------|---------|---------|
| F | | | | |
| RR 110-20F | 110 | 200 | 500 | 2,20 |
| RR 110-30F | 110 | 300 | 500 | 2,70 |
| RR 110-40F | 110 | 400 | 500 | 3,20 |
| RR 110-50F | 110 | 500 | 500 | 3,80 |
| RR 110-60F | 110 | 600 | 500 | 4,30 |

accessories included:
4 x **KLR E** fixing set (page H33)

accessories optional:
VB connection plate (page B47)



Cable trays

Fittings

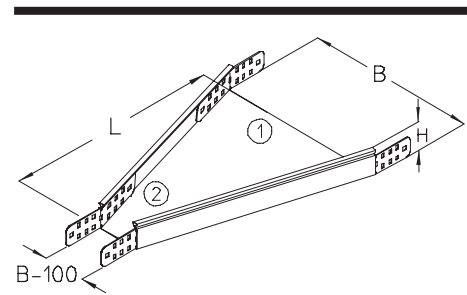
RR 110 cable tray reducer, height=110 mm

Please quote the design (left, centred, right) and the side width with your order. This article is also available made in stainless steel finish, material No. 1.4571 / 1.4404 (V4A).
For an application example, see the chapter assembly.

| article number | H mm | B mm | L mm | G kg |
|-------------------|---------|---------|---------|---------|
| E | | | | |
| RR 110-20E | 110 | 200 | 500 | 2,00 |
| RR 110-30E | 110 | 300 | 500 | 2,50 |
| RR 110-40E | 110 | 400 | 500 | 2,80 |
| RR 110-50E | 110 | 500 | 500 | 3,40 |
| RR 110-60E | 110 | 600 | 500 | 3,80 |

accessories included:
4 x **KLR E** fixing set (page H33)

accessories optional:
VB connection plate (page B47)



Cable trays

Accessoires of cable trays

RAB 35 cable tray closing panel, height=35 mm

For an application example, see the chapter assembly.

| article number | H mm | B mm | G kg |
|----------------|---------|---------|---------|
| S | | | |
| RAB 35-10S | 35 | 100 | 0,06 |
| RAB 35-20S | 35 | 200 | 0,09 |
| RAB 35-30S | 35 | 300 | 0,11 |

accessories included:

1 x **KLR** fixing set (page H33)

| article number | H mm | B mm | G kg |
|----------------|---------|---------|---------|
| F | | | |
| RAB 35-10F | 35 | 100 | 0,02 |
| RAB 35-20F | 35 | 200 | 0,11 |
| RAB 35-30F | 35 | 300 | 0,14 |

accessories included:

1 x **KLR E** fixing set (page H33)

RAB 60 cable tray closing panel, height=60 mm

This article is also available made in stainless steel finish, material No. 1.4571 / 1.4404 (V4A).

For an application example, see the chapter assembly.

| article number | H mm | B mm | G kg |
|----------------|---------|---------|---------|
| S | | | |
| RAB 60-10S | 60 | 100 | 0,15 |
| RAB 60-20S | 60 | 200 | 0,20 |
| RAB 60-30S | 60 | 300 | 0,25 |
| RAB 60-40S | 60 | 400 | 0,31 |
| RAB 60-50S | 60 | 500 | 0,36 |
| RAB 60-60S | 60 | 600 | 0,41 |

accessories included:

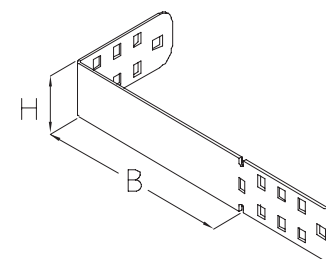
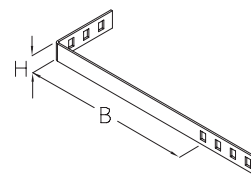
1 x **KLR** fixing set (page H33)

| article number | H mm | B mm | G kg |
|----------------|---------|---------|---------|
| F | | | |
| RAB 60-10F | 60 | 100 | 0,21 |
| RAB 60-20F | 60 | 200 | 0,29 |
| RAB 60-30F | 60 | 300 | 0,34 |
| RAB 60-40F | 60 | 400 | 0,45 |
| RAB 60-50F | 60 | 500 | 0,53 |
| RAB 60-60F | 60 | 600 | 0,60 |

| | | | |
|------------|----|-----|------|
| E | | | |
| RAB 60-10E | 60 | 100 | 0,15 |
| RAB 60-20E | 60 | 200 | 0,20 |
| RAB 60-30E | 60 | 300 | 0,25 |
| RAB 60-40E | 60 | 400 | 0,31 |
| RAB 60-50E | 60 | 500 | 0,36 |
| RAB 60-60E | 60 | 600 | 0,41 |

accessories included:

1 x **KLR E** fixing set (page H33)



Cable trays

Accessoires of cable trays

RAB 85 cable tray closing panel, height=85 mm

For an application example, see the chapter assembly.

| article number | H mm | B mm | G kg |
|-------------------|---------|---------|---------|
| S | | | |
| RAB 85-10S | 85 | 100 | 0,24 |
| RAB 85-20S | 85 | 200 | 0,32 |
| RAB 85-30S | 85 | 300 | 0,41 |
| RAB 85-40S | 85 | 400 | 0,49 |
| RAB 85-50S | 85 | 500 | 0,57 |
| RAB 85-60S | 85 | 600 | 0,65 |

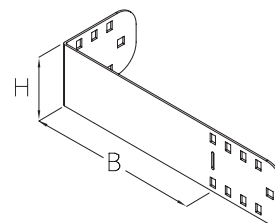
accessories included:

2 x **KLR** fixing set (page H33)

| article number | H mm | B mm | G kg |
|-------------------|---------|---------|---------|
| F | | | |
| RAB 85-10F | 85 | 100 | 0,34 |
| RAB 85-20F | 85 | 200 | 0,46 |
| RAB 85-30F | 85 | 300 | 0,58 |
| RAB 85-40F | 85 | 400 | 0,70 |
| RAB 85-50F | 85 | 500 | 0,82 |
| RAB 85-60F | 85 | 600 | 0,94 |

accessories included:

2 x **KLR E** fixing set (page H33)



Cable trays

Accessoires of cable trays

RAB 110 cable tray closing panel, height=110 mm

This article is also available made in stainless steel finish, material No. 1.4571 / 1.4404 (V4A).
For an application example, see the chapter assembly.

| article number | H mm | B mm | G kg |
|----------------|---------|---------|---------|
| S | | | |
| RAB 110-10S | 110 | 100 | 0,33 |
| RAB 110-20S | 110 | 200 | 0,44 |
| RAB 110-30S | 110 | 300 | 0,56 |
| RAB 110-40S | 110 | 400 | 0,67 |
| RAB 110-50S | 110 | 500 | 0,78 |
| RAB 110-60S | 110 | 600 | 0,89 |

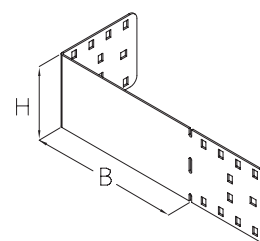
accessories included:
2 x **KLR** fixing set (page H33)

| article number | H mm | B mm | G kg |
|----------------|---------|---------|---------|
| F | | | |
| RAB 110-10F | 110 | 100 | 0,48 |
| RAB 110-20F | 110 | 200 | 0,65 |
| RAB 110-30F | 110 | 300 | 0,81 |
| RAB 110-40F | 110 | 400 | 0,98 |
| RAB 110-50F | 110 | 500 | 1,14 |
| RAB 110-60F | 110 | 600 | 1,31 |

accessories included:
2 x **KLR E** fixing set (page H33)

| article number | H mm | B mm | G kg |
|----------------|---------|---------|---------|
| E | | | |
| RAB 110-10E | 110 | 100 | 0,33 |
| RAB 110-20E | 110 | 200 | 0,44 |
| RAB 110-30E | 110 | 300 | 0,55 |
| RAB 110-40E | 110 | 400 | 0,66 |
| RAB 110-50E | 110 | 500 | 0,77 |
| RAB 110-60E | 110 | 600 | 0,88 |

accessories included:
2 x **KLR E** fixing set (page H33)



B

Cable trays

Accessoires of cable trays

REB cable tray end-plate

For an application example, see the chapter assembly.

| article number | B mm | L mm | G kg |
|----------------|---------|---------|---------|
| S | | | |
| REB 05S | 40 | 50 | 0,02 |

accessories included:
1 x **KLR** fixing set (page H33)

| article number | B mm | L mm | G kg |
|----------------|---------|---------|---------|
| S | | | |
| REB 10S | 90 | 50 | 0,03 |
| REB 20S | 190 | 50 | 0,06 |
| REB 30S | 290 | 50 | 0,10 |
| REB 40S | 390 | 50 | 0,13 |
| REB 50S | 490 | 50 | 0,17 |
| REB 60S | 590 | 50 | 0,20 |

accessories included:
2 x **KLR** fixing set (page H33)

| article number | B mm | L mm | G kg |
|----------------|---------|---------|---------|
| F | | | |
| REB 05F | 40 | 50 | 0,03 |

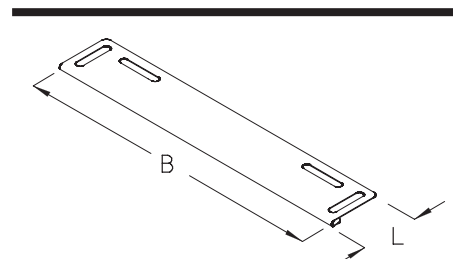
accessories included:
1 x **KLR E** fixing set (page H33)

| article number | B mm | L mm | G kg |
|----------------|---------|---------|---------|
| F | | | |
| REB 10F | 90 | 50 | 0,03 |
| REB 20F | 190 | 50 | 0,06 |
| REB 30F | 290 | 50 | 0,10 |
| REB 40F | 390 | 50 | 0,13 |
| REB 50F | 490 | 50 | 0,17 |
| REB 60F | 590 | 50 | 0,20 |

accessories included:
2 x **KLR E** fixing set (page H33)

| article number | B mm | L mm | G kg |
|----------------|---------|---------|---------|
| E | | | |
| REB 10E | 90 | 50 | 0,02 |
| REB 20E | 190 | 50 | 0,05 |
| REB 30E | 290 | 50 | 0,08 |
| REB 40E | 390 | 50 | 0,10 |
| REB 50E | 490 | 50 | 0,13 |
| REB 60E | 590 | 50 | 0,16 |

accessories included:
2 x **KLR E** fixing set (page H33)



Cable trays

Accessoires of cable trays

RGV 35 cable tray coupler, height=35 mm

For an application example, see the chapter assembly.

| article number | H mm | L mm | G kg |
|----------------|---------|---------|---------|
| S | | | |
| RGV 35S | 20 | 150 | 0,04 |

accessories included:
1 x **KLR** fixing set (page H33)

| article number | H mm | L mm | G kg |
|----------------|---------|---------|---------|
| F | | | |
| RGV 35F | 20 | 150 | 0,04 |

accessories included:
1 x **KLR E** fixing set (page H33)

RGV 60 cable tray coupler, height=60 mm

This article is also available made in stainless steel finish, material No. 1.4571 / 1.4404 (V4A).
For an application example, see the chapter assembly.

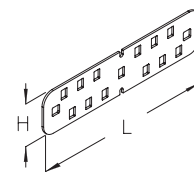
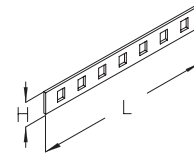
| article number | H mm | L mm | G kg |
|----------------|---------|---------|---------|
| S | | | |
| RGV 60S | 45 | 190 | 0,08 |

accessories included:
1 x **KLR** fixing set (page H33)

| article number | H mm | L mm | G kg |
|----------------|---------|---------|---------|
| F | | | |
| RGV 60F | 45 | 190 | 0,09 |

| | | | |
|----------------|----|-----|------|
| E | | | |
| RGV 60E | 45 | 190 | 0,08 |

accessories included:
1 x **KLR E** fixing set (page H33)



Cable trays

Accessoires of cable trays

RGV 85 cable tray coupler, height=85 mm

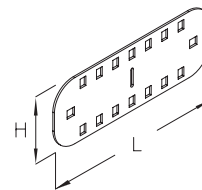
For an application example, see the chapter assembly.

| article number | H mm | L mm | G kg |
|----------------|---------|---------|---------|
| S | | | |
| RGV 85S | 70 | 190 | 0,16 |

accessories included:
2 x **KLR** fixing set (page H33)

| article number | H mm | L mm | G kg |
|----------------|---------|---------|---------|
| F | | | |
| RGV 85F | 70 | 190 | 0,17 |

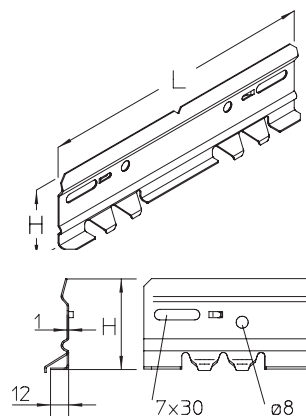
accessories included:
2 x **KLR E** fixing set (page H33)



RGVS cable tray snap coupler

The side connector is only suitable for the cable trays type RG 60 and R 60.

| article number | H mm | L mm | G kg |
|-----------------|---------|---------|---------|
| S | | | |
| RGVS 60S | 60 | 230 | 0,12 |



RGV 110 cable tray coupler, height=110 mm

This article is also available made in stainless steel finish, material No. 1.4571 / 1.4404 (V4A).
For an application example, see the chapter assembly.

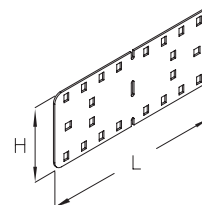
| article number | H mm | L mm | G kg |
|-----------------|---------|---------|---------|
| S | | | |
| RGV 110S | 95 | 230 | 0,34 |

accessories included:
2 x **KLR** fixing set (page H33)

| article number | H mm | L mm | G kg |
|-----------------|---------|---------|---------|
| F | | | |
| RGV 110F | 95 | 230 | 0,36 |

| | | | |
|-----------------|----|-----|------|
| E | | | |
| RGV 110E | 95 | 230 | 0,27 |

accessories included:
2 x **KLR E** fixing set (page H33)



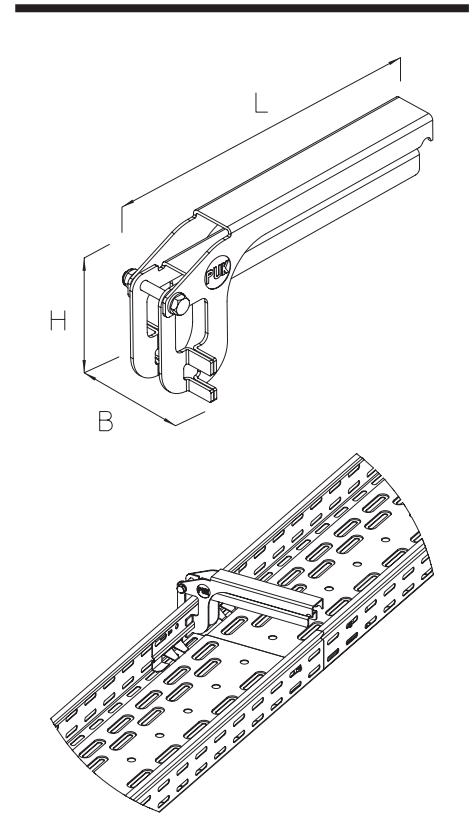
Cable trays

Accessoires of cable trays

RGVST RGVS assembly tool

Snap connector tool for fast assembly/disassembly of the snap connector RGVS on cable trays. The snap connector tool is made of sendzimir hot-dip galvanized steel according to DIN EN 10346, which is plastic coated.

| article number | H mm | B mm | L mm | t mm | Colour | G kg |
|-----------------|---------|---------|---------|---------|-------------------------------|---------|
| RGVST SB | 92 | 60 | 208 | 2 | light grey (similar RAL 7035) | 0.40 |



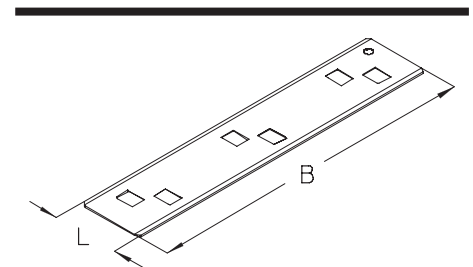
VB connection plate

This article is also available made in stainless steel finish, material No. 1.4571 / 1.4404 (V4A). For an application example, see the chapter assembly.

| article number | B mm | L mm | G kg |
|----------------|---------|---------|---------|
| S | | | |
| VB 10S | 54 | 70 | 0,04 |
| VB 20S | 155 | 70 | 0,11 |
| VB 30S | 255 | 70 | 0,18 |
| VB 40S | 355 | 70 | 0,27 |
| VB 50S | 455 | 70 | 0,32 |
| VB 60S | 555 | 70 | 0,38 |

| | | | |
|---------------|-----|----|------|
| F | | | |
| VB 10F | 54 | 70 | 0,04 |
| VB 20F | 155 | 70 | 0,11 |
| VB 30F | 255 | 70 | 0,19 |
| VB 40F | 355 | 70 | 0,28 |
| VB 50F | 455 | 70 | 0,34 |
| VB 60F | 555 | 70 | 0,40 |

| | | | |
|---------------|-----|----|------|
| E | | | |
| VB 10E | 54 | 70 | 0,04 |
| VB 20E | 155 | 70 | 0,11 |
| VB 30E | 255 | 70 | 0,18 |
| VB 40E | 355 | 70 | 0,27 |
| VB 50E | 455 | 70 | 0,32 |
| VB 60E | 555 | 70 | 0,38 |



Cable trays

Accessoires of cable trays

RTR 35 cable tray barrier strip, height=35 mm

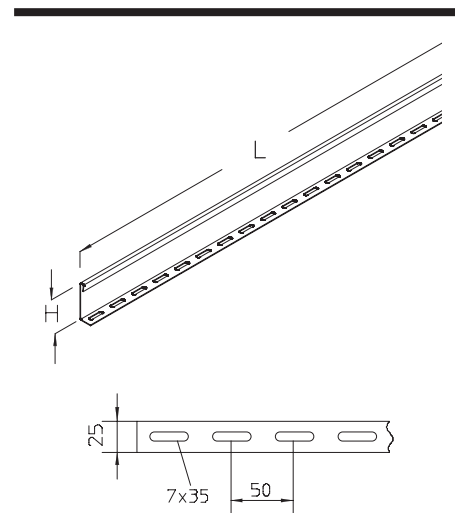
For an application example, see the chapter assembly.

| article number | H mm | L mm | G kg |
|----------------|---------|---------|---------|
| S | | | |
| RTR 35S | 33 | 3000 | 1,50 |

accessories included:
3 x **KLR** fixing set (page H33)

| article number | H mm | L mm | G kg |
|----------------|---------|---------|---------|
| F | | | |
| RTR 35F | 33 | 3000 | 1,60 |

accessories included:
3 x **KLR E** fixing set (page H33)



RTR 60 cable tray barrier strip, height=60 mm

This article is also available made in stainless steel finish, material No. 1.4571 / 1.4404 (V4A).
For an application example, see the chapter assembly.

| article number | H mm | L mm | G kg |
|----------------|---------|---------|---------|
| S | | | |
| RTR 60S | 50 | 3000 | 2,10 |

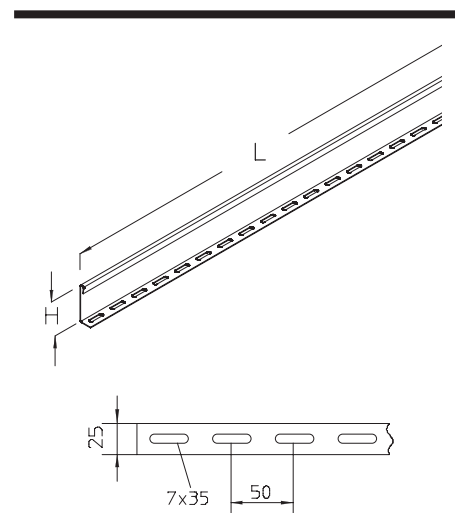
accessories included:
3 x **KLR** fixing set (page H33)

| article number | H mm | L mm | G kg |
|----------------|---------|---------|---------|
| F | | | |
| RTR 60F | 50 | 3000 | 2,20 |

| | | | |
|----------------|----|------|------|
| E | | | |
| RTR 60E | 50 | 3000 | 2,10 |

| | | | |
|-----------------|----|------|------|
| E4 | | | |
| RTR 60E4 | 50 | 3000 | 2,10 |

accessories included:
3 x **KLR E** fixing set (page H33)



Cable trays

Accessoires of cable trays

RTR 85 cable tray barrier strip, height=85 mm

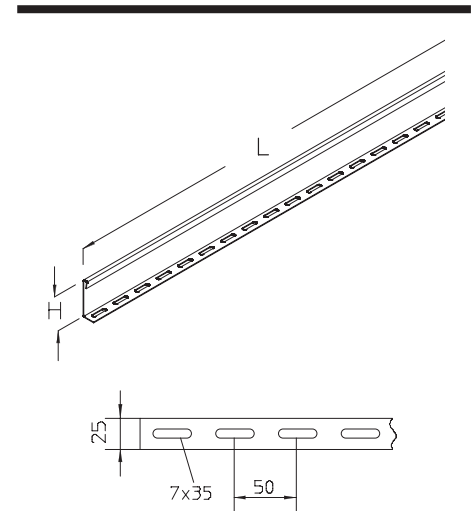
For an application example, see the chapter assembly.

| article number | H mm | L mm | G kg |
|----------------|---------|---------|---------|
| S | | | |
| RTR 85S | 80 | 3000 | 2,70 |

accessories included:
3 x **KLR** fixing set (page H33)

| article number | H mm | L mm | G kg |
|----------------|---------|---------|---------|
| F | | | |
| RTR 85F | 80 | 3000 | 2,90 |

accessories included:
3 x **KLR E** fixing set (page H33)



RTR 110 cable tray barrier strip, height=110 mm

This article is also available made in stainless steel finish, material No. 1.4571 / 1.4404 (V4A).
For an application example, see the chapter assembly.

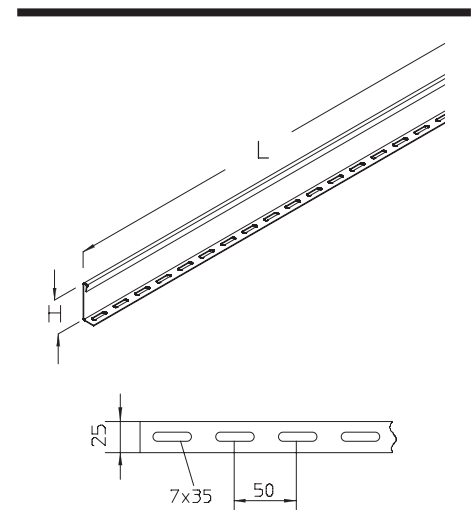
| article number | H mm | L mm | G kg |
|-----------------|---------|---------|---------|
| S | | | |
| RTR 110S | 100 | 3000 | 3,30 |

accessories included:
3 x **KLR** fixing set (page H33)

| article number | H mm | L mm | G kg |
|-----------------|---------|---------|---------|
| F | | | |
| RTR 110F | 100 | 3000 | 3,50 |

| | | | |
|-----------------|-----|------|------|
| E | | | |
| RTR 110E | 100 | 3000 | 3,30 |

accessories included:
3 x **KLR E** fixing set (page H33)

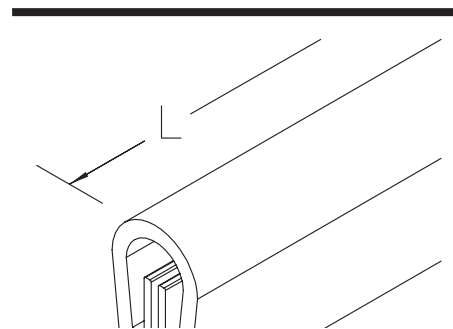


Cable trays

Accessoires of cable trays

KSB edge protection strip

| article number | H mm | B mm | k mm | colour | G kg/m |
|----------------|---------|---------|---------|--------|-----------|
| PVC | | | | | |
| KSB | 6,5 | 9,5 | 1 - 2 | silver | 0,06 |



MP-RG assembly plate

For an application example, see the chapter assembly.

| article number | H mm | B mm | G kg |
|------------------|---------|---------|---------|
| S | | | |
| MP-RG 60S | 185 | 120 | 0,16 |

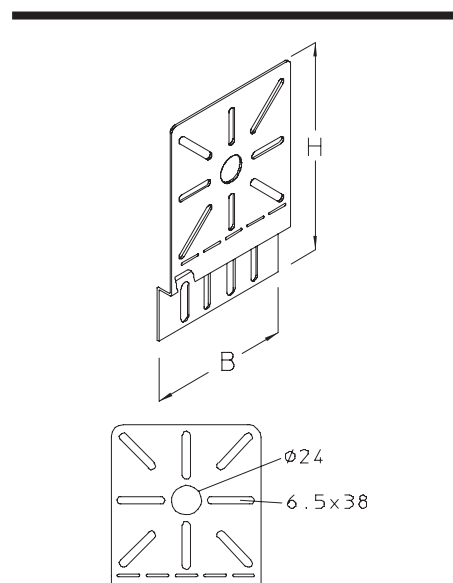
accessories included:
1 x **KLR** fixing set (page H33)

| article number | H mm | B mm | G kg |
|------------------|---------|---------|---------|
| F | | | |
| MP-RG 60F | 185 | 120 | 0,17 |

accessories included:
1 x **KLR E** fixing set (page H33)

| article number | H mm | B mm | G kg |
|-------------------|---------|---------|---------|
| E4 | | | |
| MP-RG 60E4 | 185 | 120 | 0,16 |

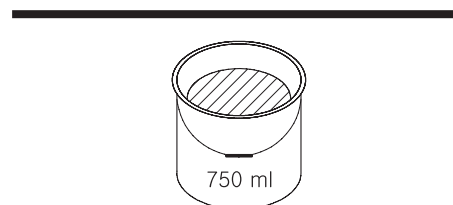
accessories included:
2 x **SEM 6E4** hexagon-nut, DIN 934 (page H41)
2 x **US 6x12E4** square washer, DIN 125 (page H39)
2 x **FKS 6x16E4** slotted cylinder head screw, DIN 84 (page D43)



KZF cold zinc paint

For assembly instructions, see the chapter assembly.

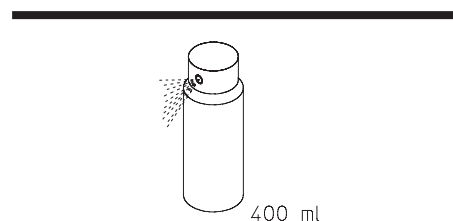
| article number | I ml | G kg |
|----------------|---------|---------|
| KZF | 750 | 1,93 |



KZS cold zinc spray

For assembly instructions, see the chapter assembly.

| article number | I ml | G kg |
|----------------|---------|---------|
| KZS | 400 | 0,40 |



Cable trays

Accessories of cable installation trays

RIV 60 cable tray coupler, height=60 mm

For an application example, see the chapter assembly.

| article number | H mm | L mm | G kg |
|----------------|---------|---------|---------|
| S | | | |
| RIV 60S | 45 | 176 | 0,12 |

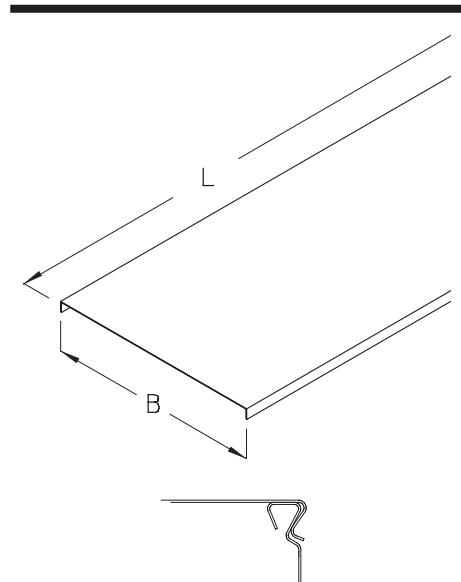
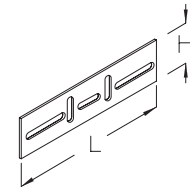
accessories included:
1 x **KLR** fixing set (page H33)

| article number | H mm | L mm | G kg |
|----------------|---------|---------|---------|
| F | | | |
| RIV 60F | 45 | 176 | 0,12 |

accessories included:
1 x **KLR E** fixing set (page H33)

RID cable installation tray cover

| article number | B mm | L mm | G kg |
|----------------|---------|---------|---------|
| S | | | |
| RID 05S | 50 | 3000 | 1,40 |
| RID 10S | 100 | 3000 | 2,31 |
| RID 15S | 150 | 3000 | 3,19 |
| RID 20S | 200 | 3000 | 4,08 |
| RID 30S | 300 | 3000 | 7,78 |
| F | | | |
| RID 05F | 50 | 3000 | 1,60 |
| RID 10F | 100 | 3000 | 2,60 |
| RID 15F | 150 | 3000 | 3,60 |
| RID 20F | 200 | 3000 | 4,60 |
| RID 30F | 300 | 3000 | 8,70 |

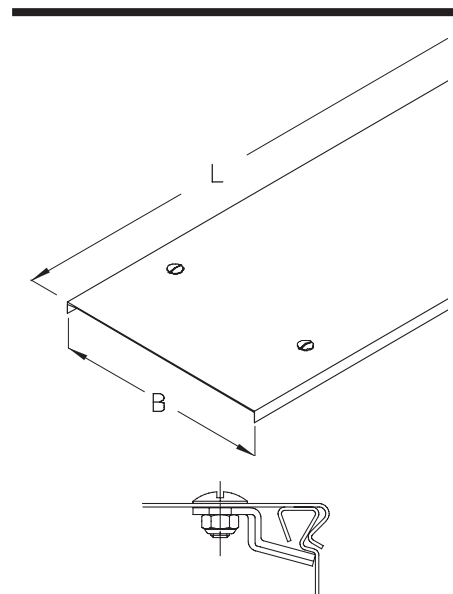


Cable trays

Accessories of cable installation trays

RIDR cable installation tray cover with bar lock

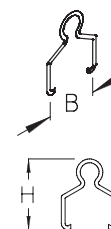
| article number | B mm | L mm | G kg |
|----------------|---------|---------|---------|
| S | | | |
| RIDR 05S | 50 | 3000 | 1,43 |
| RIDR 10S | 100 | 3000 | 2,40 |
| RIDR 15S | 150 | 3000 | 3,28 |
| RIDR 20S | 200 | 3000 | 4,17 |
| RIDR 30S | 300 | 3000 | 7,89 |
| F | | | |
| RIDR 05F | 50 | 3000 | 1,64 |
| RIDR 10F | 100 | 3000 | 2,77 |
| RIDR 15F | 150 | 3000 | 3,70 |
| RIDR 20F | 200 | 3000 | 4,72 |
| RIDR 30F | 300 | 3000 | 8,81 |



AHB suspension-bow

Central support for installation grooves.
For an application example, see the chapter assembly.

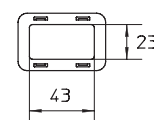
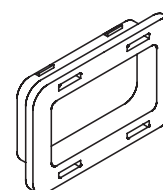
| article number | H mm | B mm | P _{max} kN | G kg/100 |
|----------------|---------|---------|------------------------|-------------|
| S | | | | |
| AHB 05S | 75 | 50 | 0,7 | 2,1 |
| AHB 10S | 75 | 100 | 0,7 | 2,4 |



KSR cable protection ring

For an application example, see the chapter assembly.

| article number | G kg/100 |
|----------------|-------------|
| PE | |
| KSR 50 | 0,6 |



Cable trays

Accessories of cable installation trays

SRI 60 protection end cap

The protective cap is provided with predetermined breaking points for easier separation. For mounting on a filled RI the base is interrupted.

To mount an SRI 60-05, the protective cap must be opened and the middle parts of the protective cap removed. To mount an SRI 60-15, the protective cap must be opened and the SRI-EO 50 must be mounted on the lid and the SRI-EU 50 on the base in between. To mount an SRI 60-20, the protective cap must be opened and two SRI-EO 50 must be mounted on the lid and two SRI-EU 50 on the base in between. To mount an SRI 60-30, the protective cap must be opened and four SRI-EU 50 must be mounted on the lid and four SRI-EU 50 on the base in between.

| article number | H mm | B mm | G kg |
|------------------|---------|---------|---------|
| PE | | | |
| SRI 60-05 | 60 | 50 | 0.01 |
| SRI 60-10 | 60 | 100 | 0.01 |

| | | | |
|------------------|----|-----|------|
| PE | | | |
| SRI 60-15 | 60 | 150 | 0.02 |

accessories included:

1x **SRI-EO 50** protection end cap
1x **SRI-EU 50** protection end cap

| | | | |
|------------------|----|-----|------|
| PE | | | |
| SRI 60-20 | 60 | 200 | 0.02 |

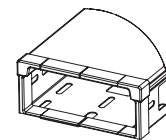
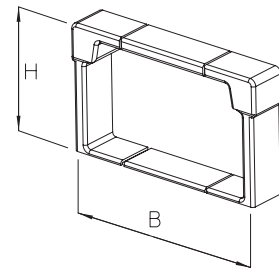
accessories included:

2x SRI-EO 50 protection end cap
2x SRI-EU 50 protection end cap

| | | | |
|------------------|----|-----|------|
| PE | | | |
| SRI 60-30 | 60 | 300 | 0.03 |

accessories included:

4x SRI-EO 50 protection end cap
4x SRI-EU 50 protection end cap



B

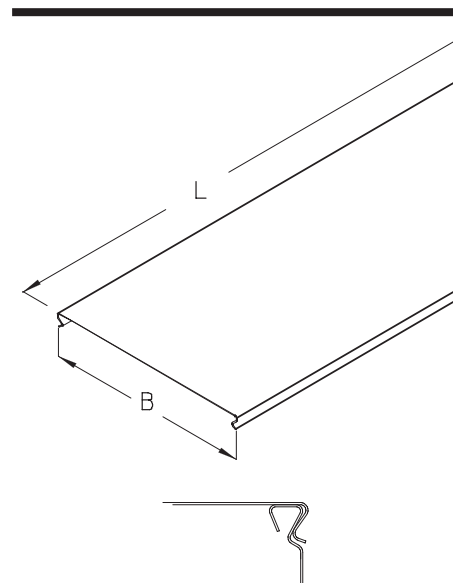
Cable trays

Cover

RD cable tray cover

This article is also available made in stainless steel finish, material No. 1.4571 / 1.4404 (V4A).

| article number | B mm | L mm | G kg |
|----------------|---------|---------|---------|
| S | | | |
| RD 05S | 50 | 3000 | 1,52 |
| RD 10S | 100 | 3000 | 2,40 |
| RD 20S | 200 | 3000 | 4,20 |
| RD 30S | 300 | 3000 | 7,90 |
| RD 40S | 400 | 3000 | 10,20 |
| RD 50S | 500 | 3000 | 15,70 |
| RD 60S | 600 | 3000 | 18,60 |
| F | | | |
| RD 05F | 50 | 3000 | 1,63 |
| RD 10F | 100 | 3000 | 2,60 |
| RD 20F | 200 | 3000 | 4,60 |
| RD 30F | 300 | 3000 | 8,70 |
| RD 40F | 400 | 3000 | 11,30 |
| RD 50F | 500 | 3000 | 17,30 |
| RD 60F | 600 | 3000 | 20,50 |
| E | | | |
| RD 05E | 50 | 3000 | 1,63 |
| RD 10E | 100 | 3000 | 2,50 |
| RD 20E | 200 | 3000 | 4,40 |
| RD 30E | 300 | 3000 | 7,80 |
| RD 40E | 400 | 3000 | 10,20 |
| RD 50E | 500 | 3000 | 15,00 |
| RD 60E | 600 | 3000 | 17,90 |



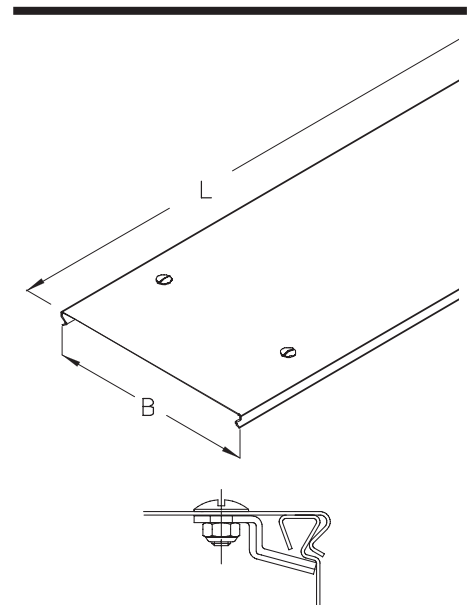
Cable trays

Cover

RDR cable tray cover with bar lock

Installation of covers in outdoor areas requires additional provisions against storm forces. Turning bolts are in no case sufficient as security provision. This article is also available made in stainless steel finish, material No. 1.4571 / 1.4404 (V4A).

| article number | B mm | L mm | G kg |
|----------------|---------|---------|---------|
| S | | | |
| RDR 10S | 100 | 3000 | 2,30 |
| RDR 20S | 200 | 3000 | 4,10 |
| RDR 30S | 300 | 3000 | 7,80 |
| RDR 40S | 400 | 3000 | 10,10 |
| RDR 50S | 500 | 3000 | 15,60 |
| RDR 60S | 600 | 3000 | 18,50 |
| F | | | |
| RDR 10F | 100 | 3000 | 2,80 |
| RDR 20F | 200 | 3000 | 4,70 |
| RDR 30F | 300 | 3000 | 7,90 |
| RDR 40F | 400 | 3000 | 11,40 |
| RDR 50F | 500 | 3000 | 17,40 |
| RDR 60F | 600 | 3000 | 20,60 |
| E | | | |
| RDR 10E | 100 | 3000 | 2,60 |
| RDR 20E | 200 | 3000 | 4,50 |
| RDR 30E | 300 | 3000 | 7,90 |
| RDR 40E | 400 | 3000 | 10,30 |
| RDR 50E | 500 | 3000 | 15,20 |
| RDR 60E | 600 | 3000 | 18,00 |



B

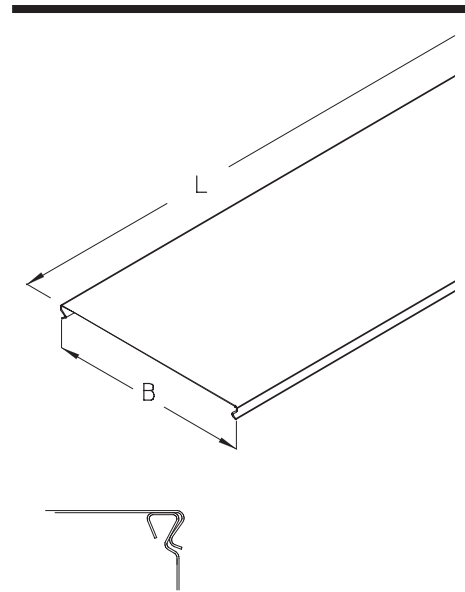
Cable trays

Cover

RDS cable tray cover, heavy

Cable tray cover, positive locking.

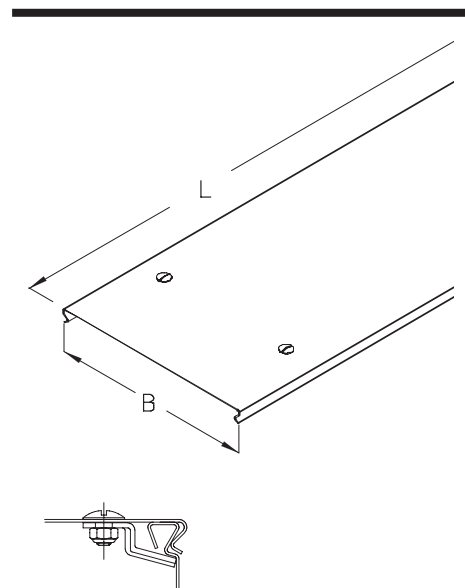
| article number | B mm | L mm | t mm | G kg |
|----------------|---------|---------|---------|---------|
| S | | | | |
| RDS 05S | 50 | 3000 | 1.50 | 3.03 |
| RDS 10S | 100 | 3000 | 1.50 | 4.80 |
| RDS 20S | 200 | 3000 | 1.50 | 8.33 |
| RDS 30S | 300 | 3000 | 1.50 | 11.87 |
| RDS 40S | 400 | 3000 | 1.50 | 15.40 |
| RDS 50S | 500 | 3000 | 1.50 | 18.93 |
| RDS 60S | 600 | 3000 | 1.50 | 22.46 |
| F | | | | |
| RDS 05F | 50 | 3000 | 1.50 | 3.10 |
| RDS 10F | 100 | 3000 | 1.50 | 5.14 |
| RDS 20F | 200 | 3000 | 1.50 | 8.92 |
| RDS 30F | 300 | 3000 | 1.50 | 12.70 |
| RDS 40F | 400 | 3000 | 1.50 | 16.47 |
| RDS 50F | 500 | 3000 | 1.50 | 20.25 |
| RDS 60F | 600 | 3000 | 1.50 | 24.03 |



RDSR cable tray cover with bar lock, heavy

Cable tray cover, positive locking.

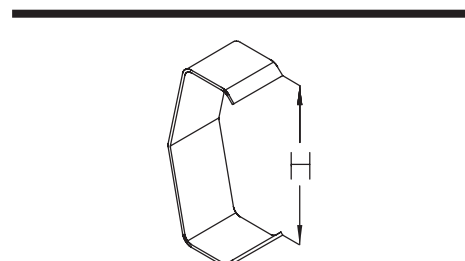
| article number | B mm | L mm | t mm | G kg |
|----------------|---------|---------|---------|---------|
| S | | | | |
| RDSR 10S | 100 | 3000 | 1.50 | 4.97 |
| RDSR 20S | 200 | 3000 | 1.50 | 8.50 |
| RDSR 30S | 300 | 3000 | 1.50 | 12.03 |
| RDSR 40S | 400 | 3000 | 1.50 | 15.40 |
| RDSR 50S | 500 | 3000 | 1.50 | 19.10 |
| RDSR 60S | 600 | 3000 | 1.50 | 22.63 |



RDKL 60 cable tray cover clamp

Installation of covers in outdoor areas requires additional provisions against storm forces. Cover clamps are in no case sufficient as security provision. Gutter cover brackets suitable for use in buildings. According to assembly instructions you should use at least 6 safety elements for each 3 meters cable path cover.

| article number | H mm | G kg |
|----------------|---------|---------|
| E | | |
| RDKL 60E | 58 | 0,10 |



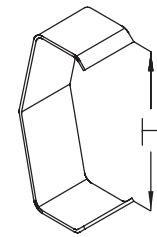
Cable trays

Cover

RDKL 110 cable tray cover clamp

Installation of covers in outdoor areas requires additional provisions against storm forces. Cover clamps are in no case sufficient as security provision. Gutter cover brackets suitable for use in buildings. According to assembly instructions you should use at least 6 safety elements for each 3 meters cable path cover.

| article number | H mm | G kg |
|------------------|---------|---------|
| E | | |
| RDKL 110E | 108 | 0,10 |



RD-SW cable tray storm protection angle

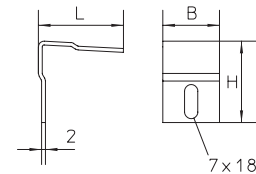
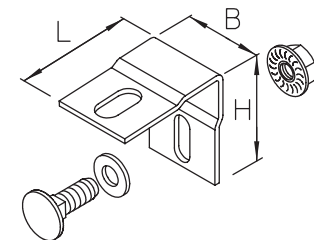
Storm protection angles, suitable for outdoor use. According to assembly instructions you should use at least 6 safety elements for each 3 meters cable path cover. This article is also available made in stainless steel finish, material No. 1.4571 / 1.4404 (V4A).

For an application example, see the chapter assembly.

| article number | H mm | B mm | L mm | G kg |
|----------------|---------|---------|---------|---------|
| F | | | | |
| RD-SW F | 40 | 30 | 40 | 0,06 |
| E | | | | |
| RD-SW E | 40 | 30 | 40 | 0,06 |

accessories included:

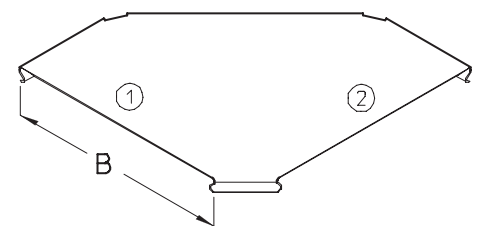
| | | |
|-----------------------|-------------------------------------|------------|
| 1 x FRSV 6x12E | round-head screw with short square | (page H34) |
| 1 x SEMS 6E | hexagon nut, self-locking, DIN 6923 | (page H41) |
| 1 x UVS M6 | captive washer | (page D48) |



RBD cable tray bend cover

This article is also available made in stainless steel finish, material No. 1.4571 / 1.4404 (V4A).

| article number | B mm | G kg |
|----------------|---------|---------|
| S | | |
| RBD 10S | 100 | 0,20 |
| RBD 20S | 200 | 0,40 |
| RBD 30S | 300 | 1,00 |
| RBD 40S | 400 | 1,60 |
| RBD 50S | 500 | 2,90 |
| RBD 60S | 600 | 4,00 |
| F | | |
| RBD 10F | 100 | 0,20 |
| RBD 20F | 200 | 0,40 |
| RBD 30F | 300 | 1,00 |
| RBD 40F | 400 | 1,70 |
| RBD 50F | 500 | 3,10 |
| RBD 60F | 600 | 4,20 |
| E | | |
| RBD 10E | 100 | 0,20 |
| RBD 20E | 200 | 0,40 |
| RBD 30E | 300 | 1,00 |
| RBD 40E | 400 | 1,60 |
| RBD 50E | 500 | 2,90 |
| RBD 60E | 600 | 4,00 |



Cable trays

Cover

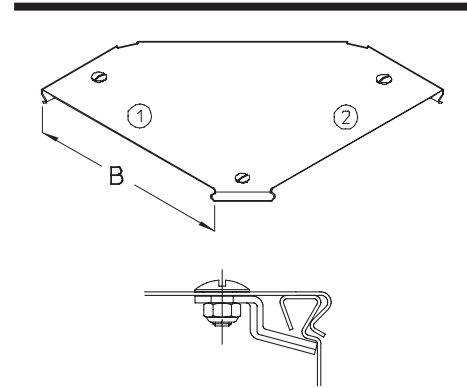
RBDR cable tray bend cover with bar lock

This article is also available made in stainless steel finish, material No. 1.4571 / 1.4404 (V4A).

| article number | B mm | G kg |
|----------------|---------|---------|
| S | | |
| RBDR 10S | 100 | 0,20 |
| RBDR 20S | 200 | 0,40 |
| RBDR 30S | 300 | 1,00 |
| RBDR 40S | 400 | 1,60 |
| RBDR 50S | 500 | 2,80 |
| RBDR 60S | 600 | 3,90 |

| | | |
|----------|-----|------|
| F | | |
| RBDR 10F | 100 | 0,20 |
| RBDR 20F | 200 | 0,50 |
| RBDR 30F | 300 | 1,10 |
| RBDR 40F | 400 | 1,70 |
| RBDR 50F | 500 | 3,10 |
| RBDR 60F | 600 | 4,20 |

| | | |
|----------|-----|------|
| E | | |
| RBDR 10E | 100 | 0,20 |
| RBDR 20E | 200 | 0,50 |
| RBDR 30E | 300 | 1,00 |
| RBDR 40E | 400 | 1,60 |
| RBDR 50E | 500 | 2,70 |
| RBDR 60E | 600 | 3,70 |



RAED cable tray attachment corner cover

| article number | B mm | L mm | G kg |
|----------------|---------|---------|---------|
| S | | | |
| RAED S | 80 | 50 | 0,10 |

accessories included:

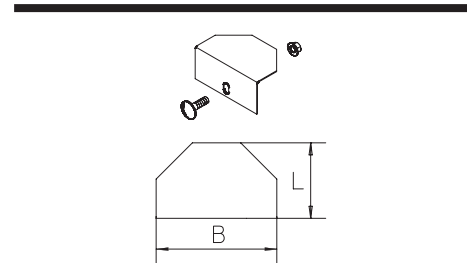
- 1 x **UVS M6** captive washer (page D48)
- 1 x **FRSV 6x12** round-head screw with short square (page H34)
- 1 x **SEMS 6** hexagon nut, self-locking, DIN 6923 (page H41)

| article number | B mm | L mm | G kg |
|----------------|---------|---------|---------|
| F | | | |
| RAED F | 80 | 50 | 0,10 |

| | | | |
|----------|----|----|------|
| E | | | |
| RAED E | 80 | 50 | 0,10 |

accessories included:

- 1 x **FRSV 6x12E** round-head screw with short square (page H34)
- 1 x **SEMS 6E** hexagon nut, self-locking, DIN 6923 (page H41)
- 1 x **UVS M6** captive washer (page D48)



Cable trays

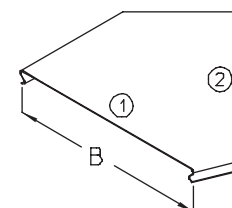
Cover

RBD45 cable tray bend cover

This article is also available made in stainless steel finish, material No. 1.4571 / 1.4404 (V4A).

| article number | B mm | G kg |
|----------------|---------|---------|
| S | | |
| RBD45 10S | 100 | 0,10 |
| RBD45 20S | 200 | 0,20 |
| RBD45 30S | 300 | 0,60 |
| RBD45 40S | 400 | 0,90 |
| RBD45 50S | 500 | 1,60 |
| RBD45 60S | 600 | 2,10 |

| | | |
|-----------|-----|------|
| F | | |
| RBD45 10F | 100 | 0,10 |
| RBD45 20F | 200 | 0,30 |
| RBD45 30F | 300 | 0,60 |
| RBD45 40F | 400 | 1,00 |
| RBD45 50F | 500 | 1,80 |
| RBD45 60F | 600 | 2,40 |

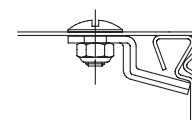
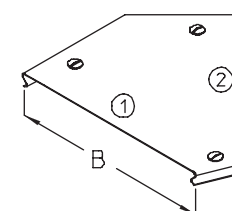


RBDR45 cable tray bend cover with bar lock

This article is also available made in stainless steel finish, material No. 1.4571 / 1.4404 (V4A).

| article number | B mm | G kg |
|----------------|---------|---------|
| S | | |
| RBDR45 10S | 100 | 0,20 |
| RBDR45 20S | 200 | 0,30 |
| RBDR45 30S | 300 | 0,60 |
| RBDR45 40S | 400 | 1,00 |
| RBDR45 50S | 500 | 1,70 |
| RBDR45 60S | 600 | 2,20 |

| | | |
|------------|-----|------|
| F | | |
| RBDR45 10F | 100 | 0,20 |
| RBDR45 20F | 200 | 0,40 |
| RBDR45 30F | 300 | 0,70 |
| RBDR45 40F | 400 | 1,10 |
| RBDR45 50F | 500 | 1,80 |
| RBDR45 60F | 600 | 2,50 |



Cable trays

Cover

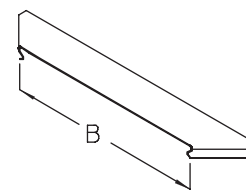
RAAD cable tray attachment branch-piece cover

This article is also available made in stainless steel finish, material No. 1.4571 / 1.4404 (V4A).

| article number | B mm | G kg |
|----------------|---------|---------|
| S | | |
| RAAD 10S | 100 | 0,07 |
| RAAD 20S | 200 | 0,11 |
| RAAD 30S | 300 | 0,19 |
| RAAD 40S | 400 | 0,23 |
| RAAD 50S | 500 | 0,35 |
| RAAD 60S | 600 | 0,41 |

| | | |
|----------|-----|------|
| F | | |
| RAAD 10F | 100 | 0,08 |
| RAAD 20F | 200 | 0,12 |
| RAAD 30F | 300 | 0,20 |
| RAAD 40F | 400 | 0,25 |
| RAAD 50F | 500 | 0,37 |
| RAAD 60F | 600 | 0,43 |

| | | |
|----------|-----|------|
| E | | |
| RAAD 10E | 100 | 0,07 |
| RAAD 20E | 200 | 0,11 |
| RAAD 30E | 300 | 0,19 |
| RAAD 40E | 400 | 0,24 |
| RAAD 50E | 500 | 0,35 |
| RAAD 60E | 600 | 0,41 |



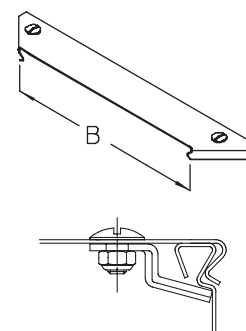
RAADR cable tray attachment branch-piece cover with bar lock

This article is also available made in stainless steel finish, material No. 1.4571 / 1.4404 (V4A).

| article number | B mm | G kg |
|----------------|---------|---------|
| S | | |
| RAADR 10S | 100 | 0,11 |
| RAADR 20S | 200 | 0,15 |
| RAADR 30S | 300 | 0,23 |
| RAADR 40S | 400 | 0,27 |
| RAADR 50S | 500 | 0,39 |
| RAADR 60S | 600 | 0,45 |

| | | |
|-----------|-----|------|
| F | | |
| RAADR 10F | 100 | 0,12 |
| RAADR 20F | 200 | 0,16 |
| RAADR 30F | 300 | 0,24 |
| RAADR 40F | 400 | 0,29 |
| RAADR 50F | 500 | 0,41 |
| RAADR 60F | 600 | 0,47 |

| | | |
|-----------|-----|------|
| E | | |
| RAADR 10E | 100 | 0,11 |
| RAADR 20E | 200 | 0,15 |
| RAADR 30E | 300 | 0,23 |
| RAADR 40E | 400 | 0,28 |
| RAADR 50E | 500 | 0,39 |
| RAADR 60E | 600 | 0,45 |



Cable trays

Cover

RAD cable tray branch-piece cover

This article is also available made in stainless steel finish, material No. 1.4571 / 1.4404 (V4A).

| article number | B mm | G kg |
|----------------|---------|---------|
| S | | |
| RAD 10S | 100 | 0,20 |
| RAD 20S | 200 | 0,40 |
| RAD 30S | 300 | 1,10 |
| RAD 40S | 400 | 1,80 |
| RAD 50S | 500 | 3,30 |
| RAD 60S | 600 | 4,60 |

| | | |
|----------|-----|------|
| F | | |
| RAD 10F | 100 | 0,20 |
| RAD 20F | 200 | 0,40 |
| RAD 30F | 300 | 1,10 |
| RAD 40F | 400 | 1,90 |
| RAD 50F | 500 | 3,50 |
| RAD 60F | 600 | 4,90 |

| | | |
|----------|-----|------|
| E | | |
| RAD 10E | 100 | 0,20 |
| RAD 20E | 200 | 0,40 |
| RAD 30E | 300 | 1,10 |
| RAD 40E | 400 | 1,80 |
| RAD 50E | 500 | 3,30 |
| RAD 60E | 600 | 4,60 |

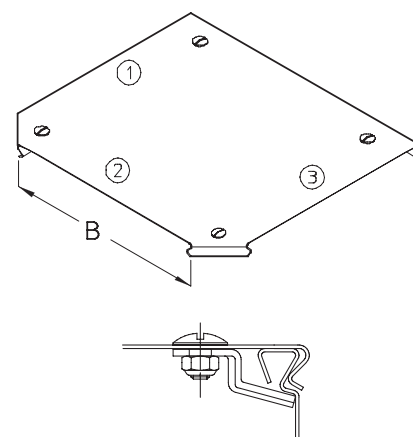
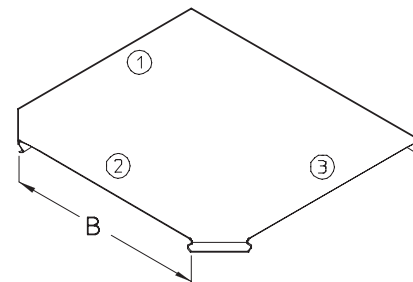
RADR cable tray branch-piece cover with bar lock

This article is also available made in stainless steel finish, material No. 1.4571 / 1.4404 (V4A).

| article number | B mm | G kg |
|----------------|---------|---------|
| S | | |
| RADR 10S | 100 | 0,30 |
| RADR 20S | 200 | 0,60 |
| RADR 30S | 300 | 1,30 |
| RADR 40S | 400 | 2,00 |
| RADR 50S | 500 | 3,60 |
| RADR 60S | 600 | 4,90 |

| | | |
|----------|-----|------|
| F | | |
| RADR 10F | 100 | 0,20 |
| RADR 20F | 200 | 0,60 |
| RADR 30F | 300 | 1,40 |
| RADR 40F | 400 | 2,20 |
| RADR 50F | 500 | 3,90 |
| RADR 60F | 600 | 5,40 |

| | | |
|----------|-----|------|
| E | | |
| RADR 10E | 100 | 0,30 |
| RADR 20E | 200 | 0,60 |
| RADR 30E | 300 | 1,30 |
| RADR 40E | 400 | 2,00 |
| RADR 50E | 500 | 3,50 |
| RADR 60E | 600 | 4,70 |



Cable trays

Cover

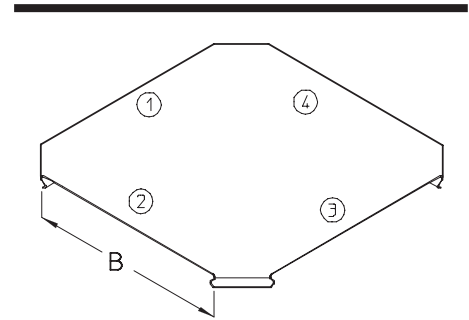
RKD cable tray cross-piece cover

This article is also available made in stainless steel finish, material No. 1.4571 / 1.4404 (V4A).

| article number | B mm | G kg |
|----------------|---------|---------|
| S | | |
| RKD 10S | 100 | 0,20 |
| RKD 20S | 200 | 0,50 |
| RKD 30S | 300 | 1,20 |
| RKD 40S | 400 | 2,00 |
| RKD 50S | 500 | 3,60 |
| RKD 60S | 600 | 4,90 |

| | | |
|----------|-----|------|
| F | | |
| RKD 10F | 100 | 0,20 |
| RKD 20F | 200 | 0,50 |
| RKD 30F | 300 | 1,20 |
| RKD 40F | 400 | 2,10 |
| RKD 50F | 500 | 3,80 |
| RKD 60F | 600 | 5,20 |

| | | |
|----------|-----|------|
| E | | |
| RKD 10E | 100 | 0,20 |
| RKD 20E | 200 | 0,50 |
| RKD 30E | 300 | 1,20 |
| RKD 40E | 400 | 2,00 |
| RKD 50E | 500 | 3,60 |
| RKD 60E | 600 | 4,90 |



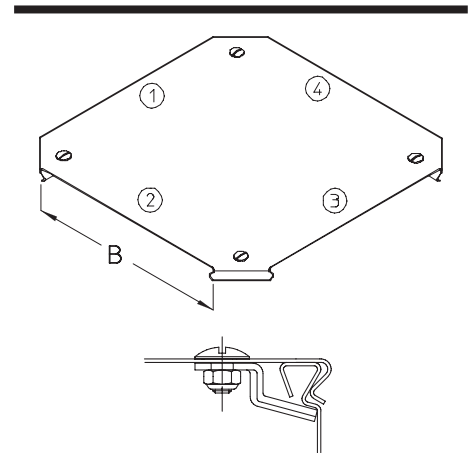
RKDR cable tray cross-piece cover with bar lock

This article is also available made in stainless steel finish, material No. 1.4571 / 1.4404 (V4A).

| article number | B mm | G kg |
|----------------|---------|---------|
| S | | |
| RKDR 10S | 100 | 0,30 |
| RKDR 20S | 200 | 0,70 |
| RKDR 30S | 300 | 1,40 |
| RKDR 40S | 400 | 2,20 |
| RKDR 50S | 500 | 3,80 |
| RKDR 60S | 600 | 5,10 |

| | | |
|----------|-----|------|
| F | | |
| RKDR 10F | 100 | 0,40 |
| RKDR 20F | 200 | 0,70 |
| RKDR 30F | 300 | 1,60 |
| RKDR 40F | 400 | 2,40 |
| RKDR 50F | 500 | 4,20 |
| RKDR 60F | 600 | 5,50 |

| | | |
|----------|-----|------|
| E | | |
| RKDR 10E | 100 | 0,40 |
| RKDR 20E | 200 | 0,70 |
| RKDR 30E | 300 | 1,40 |
| RKDR 40E | 400 | 2,20 |
| RKDR 50E | 500 | 3,70 |
| RKDR 60E | 600 | 5,00 |



Cable trays

Cover

RRD cable tray reducer cover

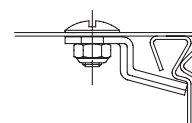
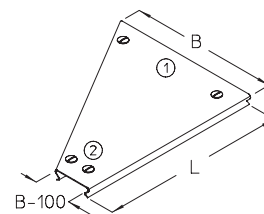
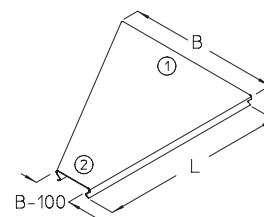
Please quote the design (left, centred, right) and the side width with your order. This article is also available made in stainless steel finish, material No. 1.4571 / 1.4404 (V4A).

| article number | B mm | L mm | G kg |
|----------------|---------|---------|---------|
| S | | | |
| RRD 20S | 200 | 500 | 0,50 |
| RRD 30S | 300 | 500 | 1,20 |
| RRD 40S | 400 | 500 | 1,50 |
| RRD 50S | 500 | 500 | 2,40 |
| RRD 60S | 600 | 500 | 2,90 |
| F | | | |
| RRD 20F | 200 | 500 | 0,50 |
| RRD 30F | 300 | 500 | 1,20 |
| RRD 40F | 400 | 500 | 1,60 |
| RRD 50F | 500 | 500 | 2,50 |
| RRD 60F | 600 | 500 | 3,10 |
| E | | | |
| RRD 20E | 200 | 500 | 0,50 |
| RRD 30E | 300 | 500 | 1,20 |
| RRD 40E | 400 | 500 | 1,50 |
| RRD 50E | 500 | 500 | 2,40 |
| RRD 60E | 600 | 500 | 2,90 |

RRDR cable tray reducer cover with bar lock

Please quote the design (left, centred, right) and the side width with your order. This article is also available made in stainless steel finish, material No. 1.4571 / 1.4404 (V4A).

| article number | B mm | L mm | G kg |
|----------------|---------|---------|---------|
| S | | | |
| RRDR 20S | 200 | 500 | 0,60 |
| RRDR 30S | 300 | 500 | 1,20 |
| RRDR 40S | 400 | 500 | 1,60 |
| RRDR 50S | 500 | 500 | 2,50 |
| RRDR 60S | 600 | 500 | 2,90 |
| F | | | |
| RRDR 20F | 200 | 500 | 0,70 |
| RRDR 30F | 300 | 500 | 1,30 |
| RRDR 40F | 400 | 500 | 1,70 |
| RRDR 50F | 500 | 500 | 2,70 |
| RRDR 60F | 600 | 500 | 3,20 |
| E | | | |
| RRDR 20E | 200 | 500 | 0,60 |
| RRDR 30E | 300 | 500 | 1,20 |
| RRDR 40E | 400 | 500 | 1,60 |
| RRDR 50E | 500 | 500 | 2,50 |
| RRDR 60E | 600 | 500 | 3,20 |



Cable trays

Cover

MKB adhesive metal strip

For an application example, see the chapter assembly.

| article number | B mm | L mm | G kg/m |
|----------------|---------|---------|-----------|
| MKB | 50 | 50000 | 0,12 |

