

Light channel system

Light channel system

K03-K05

Numeric index

Light channel system

A

AM 8 M5 channel nut [K04](#)

K

KNK chain [K05](#)

KNK-NG chain, emergency link [K05](#)

KPB Jointing bracket [K04](#)

KPD cover strap [K03](#)

KPE end cap [K04](#)

KPH holding clip [K05](#)

KPR 40 support rail for light fittings [K03](#)

KPV KPR-coupler [K03](#)

S

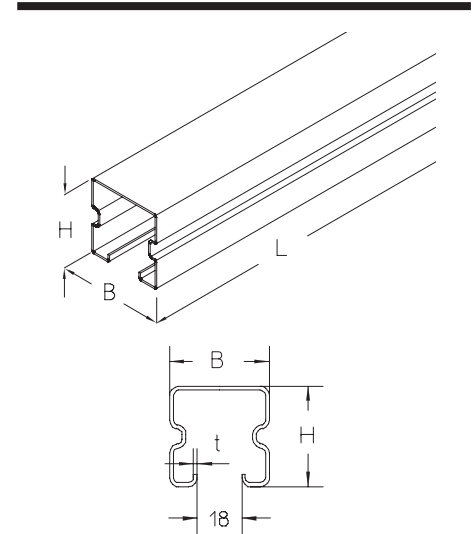
SMH hexagon nut [K05](#)

Light channel system

KPR 40 support rail for light fittings

For a load diagram, see the chapter planning.
For an application example, see the chapter assembly.

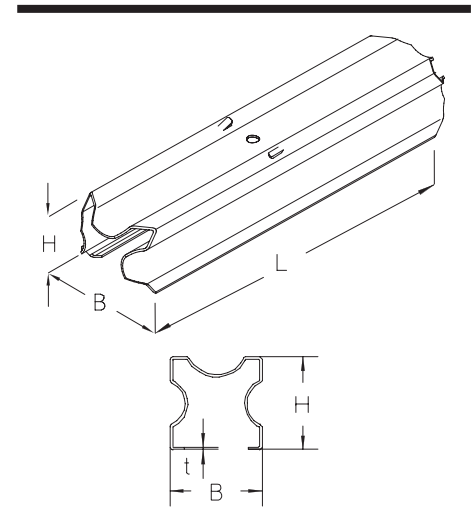
article number	H mm	B mm	L mm	t mm	G kg
S					
KPR 40	40	40	6000	1,5	10,80
KPR 40-3	40	40	3000	1,5	5,40



KPV KPR-coupler

For an application example, see the chapter assembly.

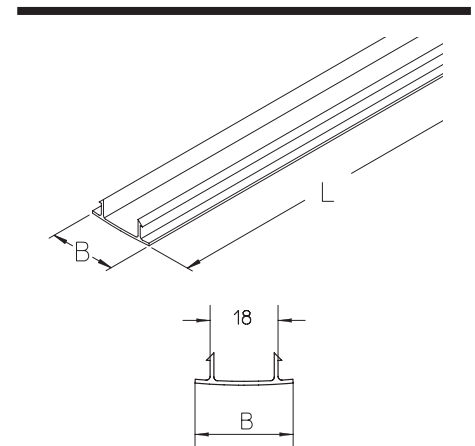
article number	H mm	B mm	L mm	t mm	G kg
S					
KPV	37	37	300	1	0,31



KPD cover strap

For an application example, see the chapter assembly.

article number	B mm	L mm	colour	G kg
PVC				
KPD	26	6000	RAL 7011 (iron grey)	0,42
KPD-3	26	3000	RAL 7011 (iron grey)	0,21

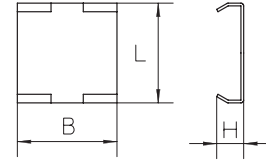
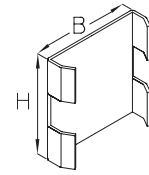


Light channel system

KPE end cap

For an application example, see the chapter assembly.

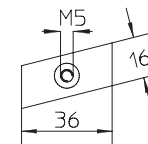
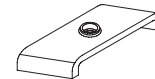
article number	H mm	B mm	L mm	G kg/100
S				
KPE	10	37	37	2,2



AM 8 M5 channel nut

For an application example, see the chapter assembly.

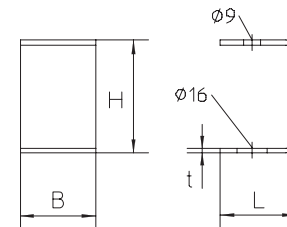
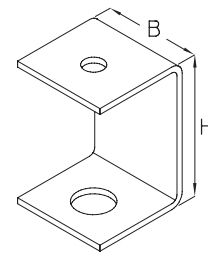
article number	G kg/100
F	
AM 8 M5	1,6



KPB Jointing bracket

For an application example, see the chapter assembly.

article number	H mm	B mm	L mm	t mm	G kg/100
F					
KPBF	60	40	40	2,5	11



Light channel system

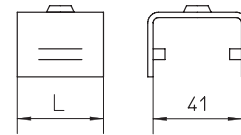
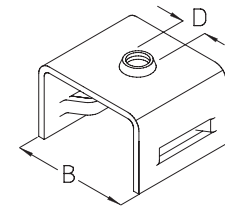
KPH holding clip

For an application example, see the chapter assembly.

article number	B mm	D mm	L mm	G kg/100
F				
KPH 8F	46	M8	40	7,8
KPH-PG 9	46	R 3/8"	40	6,0

accessories optional:

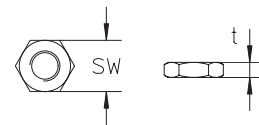
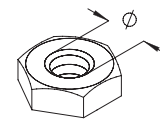
DAS wire eyebolt (page H17)
SHS eyebolt (page H17)



SMH hexagon nut

For an application example, see the chapter assembly.

article number	Ø mm	t mm	SW mm	G kg/100
SMH 8	M8	4,0	13	0,31
SMH-PG 9	R 3/8"	6,0	27	1,93



KNK chain

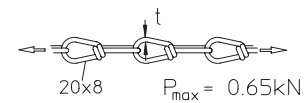
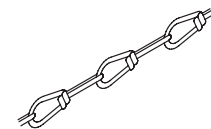
Chain elongation app. 0,1 x length.

For an application example, see the chapter assembly.

article number	t mm	G kg/m
GV		
KNK	3	0,2

accessories optional:

KNK-NG chain, emergency link (page H17, K05)



KNK-NG chain, emergency link

For an application example, see the chapter assembly.

article number	t mm	G kg/100
GV		
KNK-NG	3	0,36

