



Ship ladders

Ship ladders	L03-L06
Fittings	L07-L08
Accessoires	L09-L15



Numeric index

Ship ladders

F

FRSV round-head screw with short square, DIN 603
[L12](#)

K

KLS fixing set [L12](#)

S

SEM hexagon-nut, DIN 934 [L14](#)
SEMS hexagon nut with flange, DIN EN 1661 [L14](#)
SES hexagon head bolt, DIN 933 [L13](#)
SKL ship ladder [L03](#)
SKLTR ship ladder seperating strip [L04](#)
SLA ship ladder, branch-T-piece, height=30mm [L07](#)
SLAA ship ladder attachment branch-piece [L08](#)
SLB ship ladder bend, height=30 mm [L05](#)
SLF ship ladder hook [L11](#)
SLS ship ladder inside outside riser [L06](#)
SLV ship ladder coupler [L09](#)
SLVV ship ladder coupler, vertical [L09](#)
SLW ship ladder angle [L10](#)

U

US 125 square washer, DIN 125 [L15](#)
US 9021 square washer, DIN 9021 [L15](#)

Ship ladders

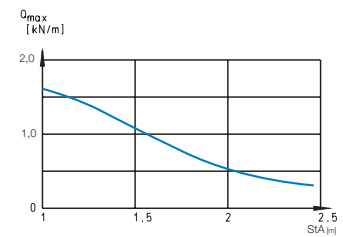
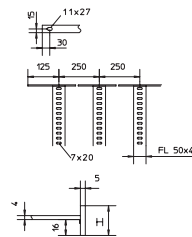
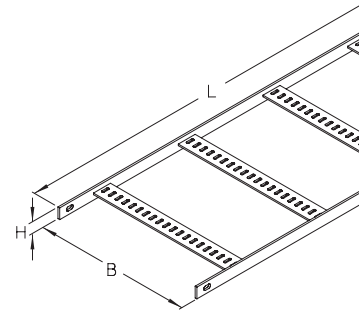
SKL ship ladder height=30 mm, length=3000 mm

Ship ladder with continuously perforated and welded rungs made of flatsteel.

article number	H mm	B mm	R mm	G kg
BRIGHT ROLLED				
SKL 075B	30	75	3000	8.40
SKL 100B	30	100	3000	8.70
SKL 150B	30	150	3000	9.30
SKL 200B	30	200	3000	9.90
SKL 250B	30	250	3000	10.80
SKL 300B	30	300	3000	11.40
SKL 400B	30	400	3000	12.90
SKL 500B	30	500	3000	14.40
WELD-PRIMED				
SKL 075M	30	75	3000	8.40
SKL 100M	30	100	3000	8.70
SKL 150M	30	150	3000	9.30
SKL 200M	30	200	3000	9.90
SKL 250M	30	250	3000	10.80
SKL 300M	30	300	3000	11.40
SKL 400M	30	400	3000	12.90
SKL 500M	30	500	3000	14.40
F				
SKL 75-HDG	30	75	3000	8.40
SKL 100-HDG	30	100	3000	8.70
SKL 150-HDG	30	150	3000	9.30
SKL 200-HDG	30	200	3000	9.90
SKL 300-HDG	30	300	3000	11.40
SKL 400-HDG	30	400	3000	12.90
SKL 500-HDG	30	500	3000	14.40
E				
SKL 75-304	30	75	3000	8.40
SKL 100-304	30	100	3000	8.70
SKL 150-304	30	150	3000	9.30
SKL 200-304	30	200	3000	9.90
SKL 300-304	30	300	3000	11.40
SKL 400-304	30	400	3000	12.90
SKL 500-304	30	500	3000	14.40
E4				
SKL 75-316	30	75	3000	8.40
SKL 100-316	30	100	3000	8.70
SKL 150-316	30	150	3000	9.30
SKL 200-316	30	200	3000	9.90
SKL 300-316	30	300	3000	11.40
SKL 400-316	30	400	3000	12.90
SKL 500-316	30	500	3000	14.40

accessories included:

SLW	ship ladder angle	(page L10)
SLV	ship ladder connector	(page L09)
SLVV	ship ladder connector, vertical	(page L09)



Ship ladders

SKLTR ship ladder separating strip

article number	H mm	L mm	G kg
----------------	---------	---------	---------

F			
SKLTR-HDG	10	3000	0.92

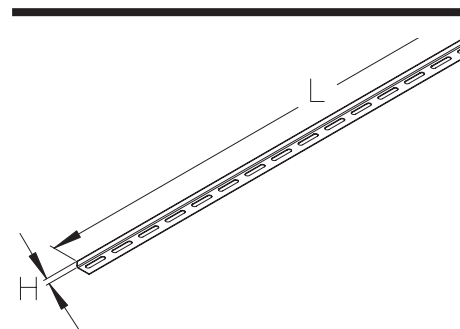
accessories included:

3x **FRSV 6X12-304** round-head screw with short square, DIN 603 (page L12)
3x **SEMS 6-304** hexagon nut with flange, DIN EN 1661 (page L14)

E4			
SKLTR-316	10	3000	0.93

accessories included:

3x **FRSV 6X12-316** round-head screw with short square, DIN 603 (page L12)
3x **SEMS 6-316** hexagon nut with flange, DIN EN 1661 (page L14)
3x **US 6X12-316** square washer, DIN 125 (page L15)



Ship ladders

Fittings

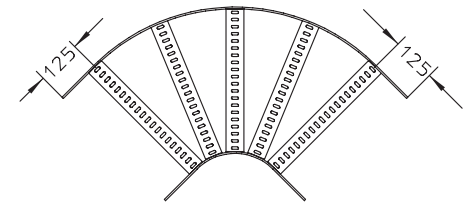
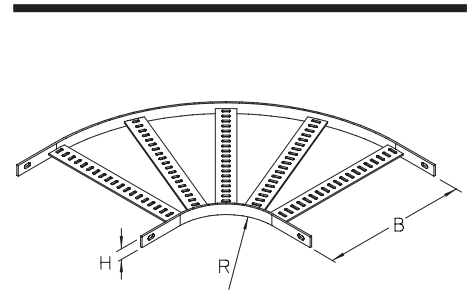
SLB ship ladder bend, height=30 mm

Ship ladder bend 90 for horizontal change of direction.

article number	H mm	B mm	R mm	G kg
BRIGHT ROLLED				
SLB 075B	30	75	100	1.60
SLB 100B	30	100	100	1.70
SLB 150B	30	150	100	2.00
SLB 200B	30	200	100	2.20
SLB 250B	30	250	100	2.80
SLB 300B	30	300	150	3.70
SLB 400B	30	400	150	4.50
SLB 500B	30	500	200	6.10
WELD-PRIMED				
SLB 075M	30	75	100	1.60
SLB 100M	30	100	100	1.70
SLB 150M	30	150	100	2.00
SLB 200M	30	200	100	2.20
SLB 250M	30	250	100	2.80
SLB 300M	30	300	150	3.70
SLB 400M	30	400	150	4.50
SLB 500M	30	500	200	6.10
F				
SLB 75-HDG	30	75	100	1.60
SLB 100-HDG	30	100	100	1.70
SLB 150-HDG	30	150	100	2.00
SLB 200-HDG	30	200	100	2.20
SLB 300-HDG	30	300	150	3.70
SLB 400-HDG	30	400	150	4.50
SLB 500-HDG	30	500	200	6.10
E				
SLB 75-304	30	75	100	1.45
SLB 100-304	30	100	100	1.60
SLB 150-304	30	150	100	1.90
SLB 200-304	30	200	100	2.20
SLB 300-304	30	300	150	3.45
SLB 400-304	30	400	150	4.20
SLB 500-304	30	500	200	5.90
E4				
SLB 75-316	30	75	100	1.60
SLB 100-316	30	100	100	1.70
SLB 150-316	30	150	100	2.00
SLB 200-316	30	200	100	2.20
SLB 300-316	30	300	150	3.70
SLB 400-316	30	400	150	4.50
SLB 500-316	30	500	200	6.10

accessories included:

SLW	ship ladder angle	(page L10)
SLV	ship ladder connector	(page L09)
SLVV	ship ladder connector, vertical	(page L09)



Ship ladders

Fittings

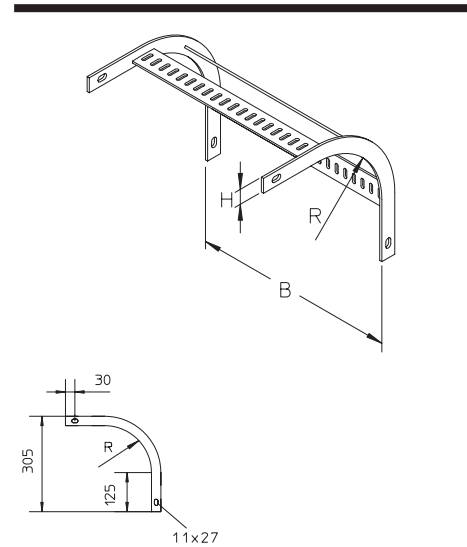
SLS ship ladder inside outside riser, height = 30 mm

Ship ladder bend 90 for vertical change of direction.

article number	H mm	B mm	R mm	G kg
BRIGHT ROLLED				
SLS 075B	30	75	150	0.90
SLS 100B	30	100	150	1.00
SLS 150B	30	150	150	1.00
SLS 200B	30	200	150	1.30
SLS 250B	30	250	150	1.50
SLS 300B	30	300	150	1.70
SLS 400B	30	400	150	2.80
SLS 500B	30	500	150	3.30
WELD-PRIMED				
SLS 075M	30	75	150	0.90
SLS 100M	30	100	150	1.00
SLS 150M	30	150	150	1.00
SLS 200M	30	200	150	1.30
SLS 250M	30	250	150	1.50
SLS 300M	30	300	150	1.70
SLS 400M	30	400	150	2.00
SLS 500M	30	500	150	3.30
F				
SLS 75-HDG	30	75	150	0.90
SLS 100-HDG	30	100	150	1.00
SLS 150-HDG	30	150	150	1.00
SLS 200-HDG	30	200	150	1.30
SLS 300-HDG	30	300	150	1.70
SLS 400-HDG	30	400	150	2.80
SLS 500-HDG	30	500	150	3.30
E				
SLS 75-304	30	75	150	1.52
SLS 100-304	30	100	150	1.65
SLS 150-304	30	150	150	1.85
SLS 200-304	30	200	150	2.10
SLS 300-304	30	300	150	2.50
SLS 400-304	30	400	150	2.95
SLS 500-304	30	500	150	3.35
E4				
SLS 75-316	30	75	150	0.90
SLS 100-316	30	100	150	1.00
SLS 150-316	30	150	150	1.00
SLS 200-316	30	200	150	1.30
SLS 300-316	30	300	150	1.70
SLS 400-316	30	400	150	2.80
SLS 500-316	30	500	150	3.30

accessories included:

SLW	ship ladder angle	(page L10)
SLV	ship ladder connector	(page L09)
SLVV	ship ladder connector, vertical	(page L09)



Ship ladders

Fittings

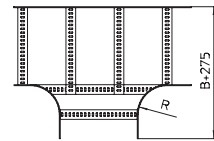
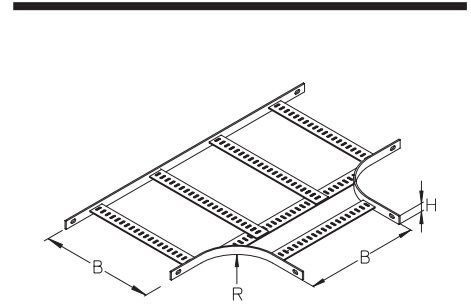
SLA ship ladder branch, height=30 mm

Ship ladder branch, shaped piece as T-piece.

article number	H mm	B mm	R mm	G kg
BRIGHT ROLLED				
SLA 075B	30	75	100	2.50
SLA 100B	30	100	100	2.70
SLA 150B	30	150	100	3.20
SLA 200B	30	200	100	3.60
SLA 250B	30	250	100	4.10
SLA 300B	30	300	150	5.40
SLA 400B	30	400	150	6.50
SLA 500B	30	500	200	8.80
WELD-PRIMED				
SLA 075M	30	75	100	2.50
SLA 100M	30	100	100	2.70
SLA 150M	30	150	100	3.20
SLA 200M	30	200	100	3.60
SLA 250M	30	250	100	4.10
SLA 300M	30	300	150	5.40
SLA 400M	30	400	150	6.50
SLA 500M	30	500	200	8.80
F				
SLA 75-HDG	30	75	100	2.50
SLA 100-HDG	30	100	100	2.70
SLA 150-HDG	30	150	100	3.20
SLA 200-HDG	30	200	100	3.60
SLA 300-HDG	30	300	150	5.40
SLA 400-HDG	30	400	150	6.50
SLA 500-HDG	30	500	200	8.80
E				
SLA 75-304	30	75	100	2.26
SLA 100-304	30	100	100	2.47
SLA 150-304	30	150	100	2.90
SLA 200-304	30	200	100	3.30
SLA 300-304	30	300	150	4.50
SLA 400-304	30	400	150	5.33
SLA 500-304	30	500	200	6.60
E4				
SLA 75-316	30	75	100	2.50
SLA 100-316	30	100	100	2.70
SLA 150-316	30	150	100	3.20
SLA 200-316	30	200	100	3.60
SLA 300-316	30	300	150	5.40
SLA 400-316	30	400	150	6.50
SLA 500-316	30	500	200	8.80

accessories included:

SLW	ship ladder angle	(page L10)
SLV	ship ladder connector	(page L09)
SLVV	ship ladder connector, vertical	(page L09)

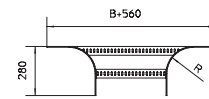
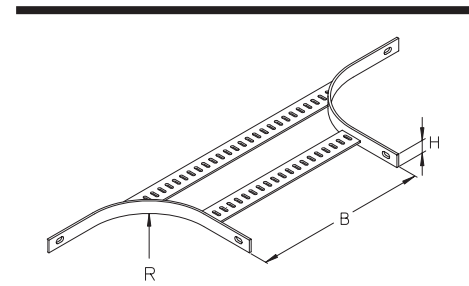


Ship ladders

Fittings

SLAA Ship duct attachment branch, height = 30 mm

article number	H mm	B mm	R mm	G kg
BRIGHT ROLLED				
SLAA 075B	30	75	100	1.40
SLAA 100B	30	100	100	1.50
SLAA 150B	30	150	100	1.70
SLAA 200B	30	200	100	1.80
SLAA 250B	30	250	100	2
SLAA 300B	30	300	150	2.50
SLAA 400B	30	400	150	2.80
SLAA 500B	30	500	200	3.40
WELD-PRIMED				
SLAA 075M	30	75	100	1.40
SLAA 100M	30	100	100	1.50
SLAA 150M	30	150	100	1.70
SLAA 200M	30	200	100	1.80
SLAA 250M	30	250	100	2
SLAA 300M	30	300	150	2.50
SLAA 400M	30	400	150	2.80
SLAA 500M	30	500	200	3.40
F				
SLAA 75-HDG	30	75	100	1.40
SLAA 100-HDG	30	100	100	1.50
SLAA 150-HDG	30	150	100	1.70
SLAA 200-HDG	30	200	100	1.80
SLAA 300-HDG	30	300	150	2.50
SLAA 400-HDG	30	400	150	2.80
SLAA 500-HDG	30	500	200	3.40
E				
SLAA 75-304	30	75	100	1.30
SLAA 100-304	30	100	100	1.38
SLAA 150-304	30	150	100	1.52
SLAA 200-304	30	200	100	1.66
SLAA 300-304	30	300	150	2.20
SLAA 400-304	30	400	150	2.50
SLAA 500-304	30	500	200	3.10
E4				
SLAA 75-316	30	75	100	1.40
SLAA 100-316	30	100	100	1.50
SLAA 150-316	30	150	100	1.70
SLAA 200-316	30	200	100	1.80
SLAA 300-316	30	300	150	2.50
SLAA 400-316	30	400	150	2.80
SLAA 500-316	30	500	200	3.40



accessories included:

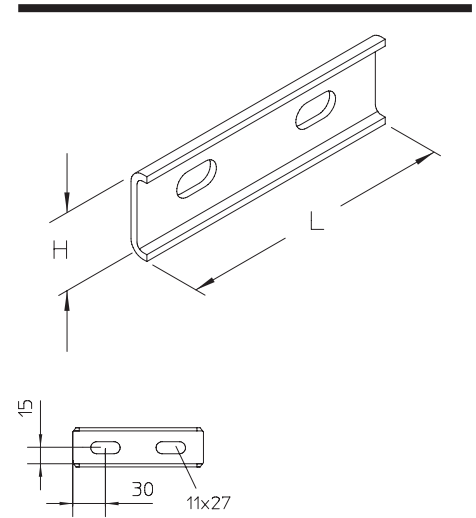
SLW	ship ladder angle	(page L10)
SLV	ship ladder connector	(page L09)
SLVV	ship ladder connector, vertical	(page L09)

Ship ladders

Accessoires

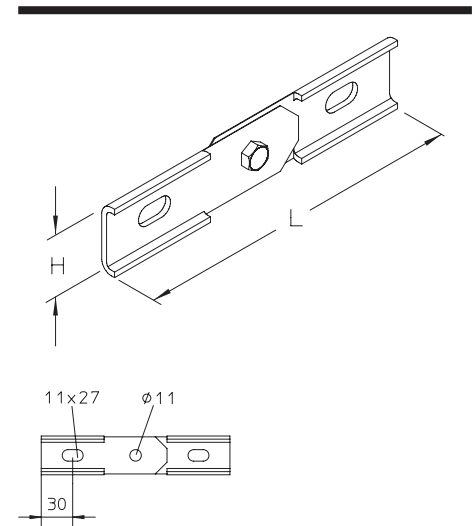
SLV ship ladder connector, vertical

article number		H mm	L mm	G kg
BRIGHT ROLLED				
SLV B		38	120	0.10
accessories included:				
2x KLS 10X20F	fixing set		(page L12)	
WELD-PRIMED				
SLV M		38	120	0.10
accessories included:				
2x KLS 10X20F	fixing set		(page L12)	
F				
SLV-HDG		38	120	0.17
accessories included:				
2x KLS 10X20-HDG	fixing set		(page L12)	
E4				
SLV-316		38	120	0.10
accessories included:				
2x KLS 10X20-316	fixing set		(page L12)	



SLVW ship ladder connector, vertical

article number		H mm	L mm	G kg
BRIGHT ROLLED				
SLVW B		38	180	0.20
accessories included:				
2x KLS 10X20F	fixing set		(page L12)	
1x SES 10X20F	hexagon head bolt, DIN 933		(page L13)	
1x US 10X21F	square washer, DIN 125		(page L15)	
1x SEM 10F	hexagon-nut, DIN 934		(page L14)	
WELD-PRIMED				
SLVW M		38	180	0.20
accessories included:				
2x KLS 10X20F	fixing set		(page L12)	
1x SES 10X20F	hexagon head bolt, DIN 933		(page L13)	
1x US 10X21F	square washer, DIN 125		(page L15)	
1x SEM 10F	hexagon-nut, DIN 934		(page L14)	

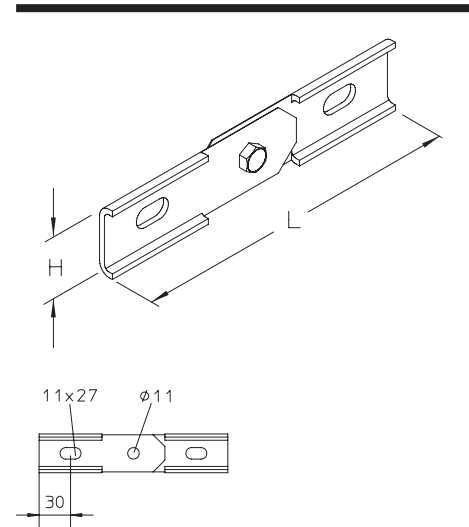


Ship ladders

Accessoires

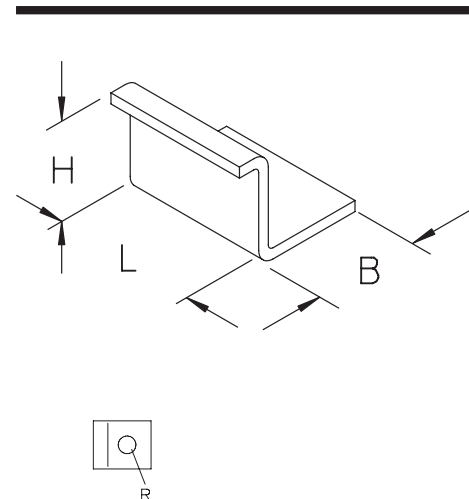
SLVV ship ladder connector, vertical

article number		H mm	L mm	G kg
F				
SLVV-HDG		38	180	0.30
accessories included:				
2x KLS 10X20-HDG	fixing set		(page L12)	
1x SES 10X20-HDG	hexagon head bolt, DIN 933		(page L13)	
1x US 10X21-HDG	square washer, DIN 125		(page L15)	
1x SEM 10-HDG	hexagon-nut, DIN 934		(page L14)	
E4				
SLVV-316		38	180	0.30
accessories included:				
2x KLS 10X20-316	fixing set		(page L12)	
1x SES 10X20-316	hexagon head bolt, DIN 933		(page L13)	
1x US 10X21-316	square washer, DIN 125		(page L15)	
1x SEM 10-316	hexagon-nut, DIN 93		(page L14)	



SLW ship ladder angle

article number		H mm	B mm	L mm	R mm	G kg
BRIGHT ROLLED						
SLW 7B		27	31	40	7	0.10
accessories included:						
1x SES 6X20E	hexagon head bolt, DIN 933		(page L13)			
1x US 6X12E	square washer, DIN 125		(page L15)			
1x SEM 6E	hexagon-nut, DIN 934		(page L14)			
F						
SLW 7M		27	31	40	7	0.10
accessories included:						
1x SES 6X20E	hexagon head bolt, DIN 933		(page L13)			
1x US 6X12E	square washer, DIN 125		(page L15)			
1x SEM 6E	hexagon-nut, DIN 934		(page L14)			
WELD-PRIMED						
SLW 7M		27	31	40	7	0.10
accessories included:						
1x SES 6X20E	hexagon head bolt, DIN 933		(page L13)			
1x US 6X12E	square washer, DIN 125		(page L15)			
1x SEM 6E	hexagon-nut, DIN 934		(page L14)			
BRIGHT ROLLED						
SLW 10B		27	31	40	11	0.10
accessories included:						
1x SES 10X20F	hexagon head bolt, DIN 933		(page L13)			
1x US 10x21F	square washer, DIN 125		(page L15)			
1x SEM 10F	hexagon-nut, DIN 934		(page L14)			

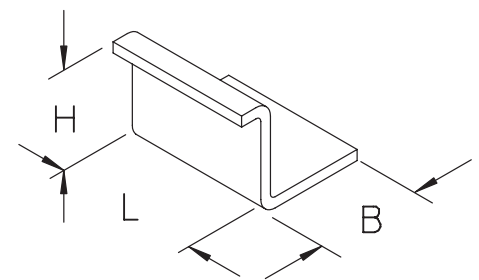


Ship ladders

Accessoires

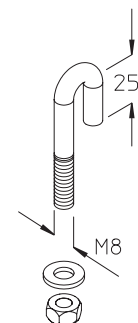
SLW ship ladder angle

article number	H mm	B mm	L mm	R mm	G kg
WELD-PRIMED					
SLW 10M	27	31	40	11	0.10
accessories included:					
1x SES 6X20E	hexagon head bolt, DIN 933		(page L13)		
1x US 6X12E	square washer, DIN 125		(page L15)		
1x SEM 6E	hexagon-nut, DIN 934		(page L14)		
F					
SLW 10-3-HDG	27	31	40	11	0.13
SLW 10-4-HDG	27	31	40	11	0.13
accessories included:					
1x SES 10X20-HDG	hexagon head bolt, DIN 933		(page L13)		
1x US 10X21F-HDG	square washer, DIN 125		(page L15)		
1x SEM 10F-HDG	hexagon-nut, DIN 934		(page L14)		
E4					
SLW 10-3-316	27	31	40	11	0.10
accessories included:					
1x SES 10X20-316	hexagon head bolt, DIN 933		(page L13)		
1x US 10X21F-316	square washer, DIN 125		(page L15)		
1x SEM 10F-316	hexagon-nut, DIN 934		(page L14)		



SLF ship ladder hook

article number	G kg
F	
SLF-HDG	0.03
E4	
SLF-316	0.03
accessories included:	
1x SEM 8-316	hexagon-nut, DIN 934 (page L14)
1x US 8X17-316	square washer, DIN 125 (page L15)



Ship ladders

Accessoires

KLS fixing set

For an application example, see the chapter assembly.

article number	Ø mm	L mm	G kg/100
----------------	---------	---------	-------------

GV			
KLS 8x16	8	16	1,8

accessories included:

1 x FRSV 8x16	round-head screw with short square	(page L12)
1 x SEMS 8	hexagon nut, self-locking, DIN 6923	(page L14)

GV			
KLS 8x25	8	25	2,2

accessories included:

1 x FRS 8x25	round-head screw with square, DIN 603	(page L12)
1 x SEMS 8	hexagon nut, self-locking, DIN 6923	(page L14)

GV			
KLS 10x20	10	20	3,9

accessories included:

1 x FRSV 10x20	round-head screw with short square	(page L12)
1 x SEMS 10	hexagon nut, self-locking, DIN 6923	(page L14)

F			
KLS 10x20F	10	20	4

accessories included:

1 x FRSV 10x20F	round-head screw with short square	(page L12)
1 x SEM 10F	hexagon-nut, DIN 934	(page L14)
1 x US 10x21F	square washer, DIN 125	(page L15)

E			
KLS 8x16E	8	16	1,8

accessories included:

1 x FRSV 8x16E	round-head screw with short square	(page L12)
1 x SEMS 8E	hexagon nut, self-locking, DIN 6923	(page L14)

E			
KLS 8x25E	8	25	2,2

accessories included:

1 x FRS 8x25E	round-head screw with square, DIN 603	(page L12)
1 x SEMS 8E	hexagon nut, self-locking, DIN 6923	(page L14)

E			
KLS 10x20E	10	20	3,9

accessories included:

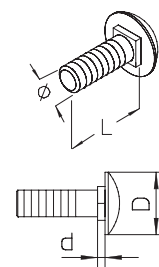
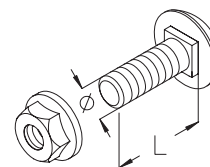
1 x FRSV 10x20E	round-head screw with short square	(page L12)
1 x SEM 10E	hexagon-nut, DIN 934	(page L14)
1 x US 10x21E	square washer, DIN 125	(page L15)

FRSV round-head screw with short square

article number	Ø mm	D mm	d mm	L mm	G kg/100
----------------	---------	---------	---------	---------	-------------

E					
FRSV 6x12E	6	16	1,5	12	0,5
FRSV 6x16E	6	16	1,5	16	0,7
FRSV 8x16E	8	20	2,0	16	1,3
FRSV 10x20E	10	24	2,5	20	2,3

E4					
FRSV 6x12E4	6	16	1,5	12	0,5
FRSV 10x20E4	10	24	2,5	20	2,4

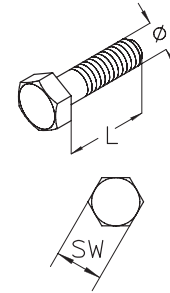


Ship ladders

Accessoires

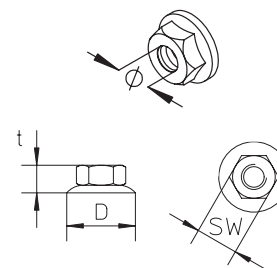
SES hexagon head bolt, DIN 933

article number	Ø mm	L mm	SW mm	G kg/100
GV				
SES 6x16	6	16	10	0,5
SES 6x20	6	20	10	0,6
SES 6x25	6	25	10	0,7
SES 6x30	6	30	10	0,8
SES 8x16	8	16	13	1,1
SES 8x20	8	20	13	1,2
SES 8x25	8	25	13	1,4
SES 8x30	8	30	13	1,4
SES 8x40	8	40	13	1,9
SES 8x110	8	110	13	4,1
SES 10x20	10	20	17(16)	2,1
SES 10x25	10	25	17(16)	2,4
SES 10x30	10	30	17(16)	2,6
SES 10x40	10	40	17(16)	3,1
SES 10x75	10	75	17(16)	4,7
SES 10x90	10	90	17(16)	5,6
SES 10x100	10	100	17(16)	6,1
SES 12x20	12	20	19(18)	3,1
SES 12x25	12	25	19(18)	3,4
SES 12x30	12	30	19(18)	3,8
SES 12x40	12	40	19(18)	4,5
SES 12x50	12	50	19(18)	5,2
F				
SES 10x20F	10	20	17(16)	2,1
SES 10x25F	10	25	17(16)	2,4
SES 10x30F	10	30	17(16)	2,6
SES 10x55F	10	55	17(16)	3,9
SES 10x75F	10	75	17(16)	4,9
SES 10x90F	10	90	17(16)	5,6
SES 10x100F	10	100	17(16)	6,1
SES 12x20F	12	20	19(18)	3,1
SES 12x30F	12	30	19(18)	3,8
SES 12x40F	12	40	19(18)	4,5
SES 12x50F	12	50	19(18)	5,2
SES 12x70F	12	70	19(18)	6,6
E				
SES 6x16E	6	16	10	0,5
SES 8x16E	8	16	13	1,1
SES 6x20E	6	20	10	0,6
SES 8x20E	8	20	13	1,2
SES 8x25E	8	25	13	1,4
SES 8x30E	8	30	13	1,5
SES 10x20E	10	20	17	2,1
SES 10x30E	10	30	17	2,6
SES 10x75E	10	75	17(16)	4,9
SES 10x100E	10	100	17(16)	6,1
E4				
SES 8x20E4	8	20	13	1,2
SES 8x30E4	8	30	13	1,5
SES 10x20E4	10	20	17	2,1
SES 10x75E4	10	75	17(16)	4,9
SES 10x100E4	10	100	17(16)	6,1



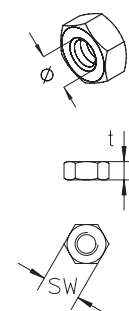
SEMS hexagon nut, self-locking, DIN 6923

article number	Ø mm	D mm	t mm	SW mm	G kg/100
GV					
SEMS 6	6	14	5,5	10	0,3
SEMS 8	8	17	7,5	13	0,7
SEMS 10	10	21	9,5	15	1,6
E					
SEMS 6E	6	14	5,5	10	0,3
SEMS 8E	8	17	7,5	13	0,7
SEMS 10E	10	21	9,5	15	1,6



SEM hexagon-nut, DIN 934

article number	Ø mm	t mm	SW mm	G kg/100
GV				
SEM 6	6	5,0	10	0,3
SEM 8	8	6,5	13	0,5
SEM 10	10	8,0	17(15)	1,2
SEM 12	12	10,0	19(18)	1,7
F				
SEM 10F	10	8,0	17(15)	1,2
SEM 12F	12	10,0	19(18)	1,7
E				
SEM 6E	6	5,0	10	0,3
SEM 8E	8	6,5	13	0,5
SEM 10E	10	8,0	17(15)	1,2
SEM 12E	12	10,0	19(18)	1,7
E4				
SEM 6E4	6	5,0	10	0,3
SEM 8E4	8	6,5	13	0,5
SEM 10E4	10	8,0	17(15)	1,2

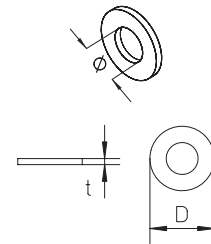


Ship ladders

Accessoires

US 125 square washer, DIN 125

article number	Ø mm	D mm	t mm	G kg/100
GV				
US 6x12	6,4	12,5	1,6	0,1
US 8x17	8,4	17,0	2,0	0,2
US 10x21	10,5	21,0	2,0	0,4
US 13x24	13,0	24,0	2,5	0,6
US 17x30	17,0	30,0	3,0	1,1
F				
US 10x21F	10,5	21,0	2,0	0,4
US 13x24F	13,0	24,0	2,5	0,6
US 17x30F	17,0	30,0	3,0	1,1
E				
US 6x12E	6,4	12,5	1,5	0,1
US 8x17E	8,4	17,0	1,5	0,2
US 10x21E	10,5	21,0	0,0	0,4
US 13x24E	13,0	24,0	2,5	1,2
E4				
US 6x12E4	6,4	12,5	1,5	0,1
US 10x21E4	10,5	21,0	0,0	0,2
US 8x17E4	8,4	17,0	1,5	0,2



US 9021 square washer, DIN 9021

article number	Ø mm	D mm	t mm	G kg/100
GV				
US 6x18	6,4	18	1,6	0,3
US 8x25	8,4	25	2,0	0,7
US 10x30	10,5	30	2,5	1,2
US 13x40	13,0	40	3,0	2,7
F				
US 10x30F	10,5	30	2,5	1,2
US 13x40F	13,0	40	3,0	2,7
E				
US 6x18E	6,4	18	1,6	0,3
US 8x25E	8,4	25	2,0	0,7
US 10x30E	10,5	30	2,5	1,2
E4				
US 10x30E4	10,5	30	2,5	1,2

