



Wide-span systems

Wide-span systems	D03-D05
Fittings	D06-D21
Cover	D22-D29
Accessories	D30-D50



Numeric index

Wide-span systems

A

AM18 channel nut, A7/ A8 [D48](#)
AM22 channel nut, A41/ KHA 41/ KHAL 41 [D49](#)

F

FKS slotted cylinder head screw, DIN 84 [D43](#)
FRS round-head screw with square, DIN 603 [D43](#)
FRSV round-head screw with short square [D43](#)
FS serrated lock washer [D47](#)

K

KLR fixing set [D42](#)
KLS fixing set [D42](#)
KPAB end plate [D40](#)
KZF cold zinc paint [D49](#)
KZS cold zinc spray [D49](#)

P

PKPEC protection end cap [D41](#)

R

RU cable clamp for fastening to round sections [D41](#)

S

SEM hexagon-nut, DIN 934 [D46](#)
SEMB hexagon-nut, DIN 934 [D46](#)
SEMS hexagon nut, self-locking, DIN 6923 [D46](#)
SEMS hexagon-nut, self-locking, DIN 985 [D47](#)
SES hexagon head bolt, DIN 933 [D45](#)
SKLL clamping claw [D49](#)

T

TS isolation strip [D41](#)

U

US 125 square washer, DIN 125 [D47](#)
US 9021 square washer, DIN 9021 [D48](#)
UVS captive washer [D48](#)

W

WP 100 wide-span cable ladder, height=100 mm [D04](#)
WP 150 wide-span cable ladder, height=150 mm [D05](#)
WP 60 wide-span cable ladder, height=60 mm [D03](#)
WPBP 100 wide-span attachment branch-piece, height=150 mm [D18](#)
WPBP 150 wide-span attachment branch-piece, height=150 mm [D19](#)
WPC 100 wide-span coupler, height=100 mm [D30](#)
WPC 150 wide-span coupler, height=150 mm [D30](#)
WPC 60 wide-span connector, height=60 mm [D31](#)
WPCH 100 wide-span coupler, horizontally adjustable, height=100 mm [D31](#)
WPCH 150 wide-span coupler, horizontally adjustable, height=100 mm [D32](#)
WPCH 60 wide-span connector, horizontally adjustable, height=60 mm [D32](#)
WPCHV 100 wide-span connector, horizontal-vertical, height=100 mm [D37](#)
WPCHV 150 wide-span connector, horizontal-vertical, height=150 mm [D38](#)

WPCHV 60 wide-span connector, horizontal-vertical, height=60 mm [D38](#)
WPCO wide-span cover [D22](#)
WPCP 100 wide-span cross-piece, height=100 mm [D20](#)
WPCP 150 wide-span cross-piece, height=150 mm [D21](#)
WPCPCO wide-span cross-piece cover A16, [D28](#)
WPCV 100 wide-span coupler, vertically adjustable, height=100 mm [D33](#)
WPCV 150 wide-span coupler, vertically adjustable, height=100 mm [D33](#)
WPCV 60 wide-span connector, vertically adjustable, height=60 mm [D32](#)
WPD-E elevation [D23](#)
WPDUK cover clamp [D23](#)
WPF-B flange mounting clamp (brackets) [D34](#)
WPF-B 60 flange mounting clamp (brackets) [D34](#)
WPF-C flange mounting clamp (C-profiles) [D35](#)
WPF-C 60 flange mounting clamp (C-profiles) [D35](#)
WPFCOH fitting cover hook clip [D25](#)
WPFCOHE fitting cover hook clip [D25](#)
WPF-IS isolation strip [D36](#)
WPF-P flange mounting clamp (profiles) [D36](#)
WPF-P 60 flange mounting clamp (profiles) [D37](#)
WPHB 100 wide-span bend, height=100 mm [D07](#)
WPHB 150 wide-span bend, height=150 mm [D08](#)
WPHB 60 wide-span bend, height=60 mm [D06](#)
WPHBCO wide-span bend cover [D24](#)
WPIR 100 wide-span inside riser, height=100 mm [D10](#)
WPIR 150 wide-span inside riser, height=150 mm [D11](#)
WPIR 60 wide-span inside riser, height=60 mm [D09](#)
WPIRCO wide-span inside riser cover [D26](#)
WPLEAB 150 wide-span ladder bend [D09](#)
WPOR 100 wide-span outside riser, height=100 mm [D13](#)
WPOR 150 wide-span outside riser, height=150 mm [D14](#)
WPOR 60 wide-span outside riser, height=60 mm [D12](#)
WPORCO wide-span outside riser cover [D27](#)
WPR reducer [D40](#)
WPS 100 wide-span barrier strip, height=50 mm [D39](#)
WPS 150 wide-span barrier strip, height=100 mm [D39](#)
WPS 60 wide-span separating strip, height=33 mm [D39](#)
WPTP 100 wide-span branch-piece, height=100 mm [D16](#)
WPTP 150 wide-span branch-piece, height=150 mm [D17](#)
WPTP 60 wide-span branch, height=60 mm [D15](#)
WPTPCO wide-span branch-piece cover [D29](#)

Wide-span systems

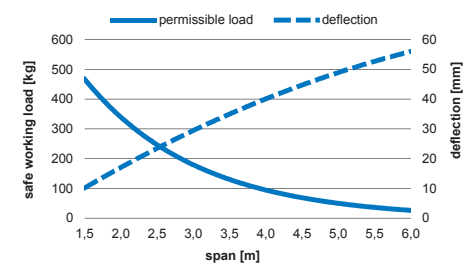
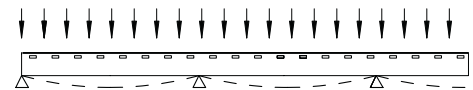
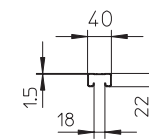
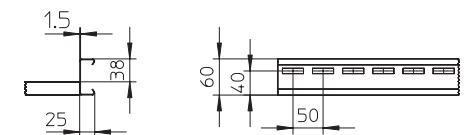
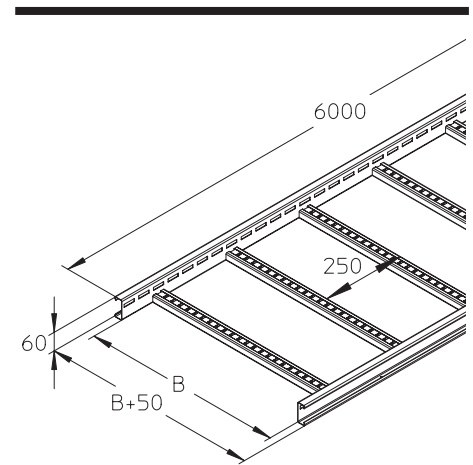
WP 60 wide-span cable ladder, height=100 mm

Wide-span cable ladder, additional transverse rigidity due to welded rungs, rungs made of profile rail perforated. Electrical conductivity tested according to DIN EN 61537. Welded construction.

article number	H mm	B mm	L mm	G kg
F				
WP06-20-HDG	60	200	6000	23.09
WP06-30-HDG	60	300	6000	25.95
WP06-40-HDG	60	400	6000	28.82
WP06-60-HDG	60	600	6000	34.57

accessories optional:

WPHB 60	wide-span bend, height=60 mm	(page D06)
WPF-B 60	flange mounting clamp (brackets)	(page D34)
WPF-C 60	flange mounting clamp (C-profiles)	(page D35)
WPF-P 60	flange mounting clamp (profiles)	(page D37)
WPIR 60	wide-span inside riser, height=60 mm	(page D09)
WPOR 60	wide-span outside riser, height=60 mm	(page D12)
WPTP 60	wide-span branch, height=60 mm	(page D15)
WPC 60	wide-span connector, height=60 mm	(page D31)
WPCB 60	wide-span connector, horizontally adjustable, height=60 mm	(page D32)
WPCV 60	wide-span connector, vertically adjustable, height=60 mm	(page D32)
WPCHV 60	wide-span connector, horizontal-vertical, height=60 mm	(page D38)
WPS 60	wide-span separating strip, height=33 mm	(page D39)
WPF-IS	isolation strip	(page D36)



Wide-span systems

WP 100 wide-span cable ladder, height=100 mm

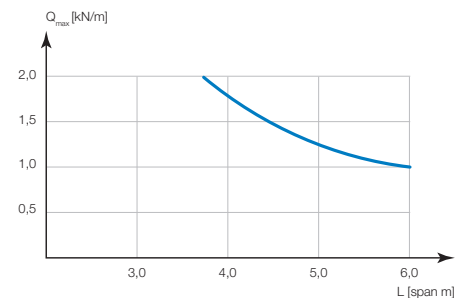
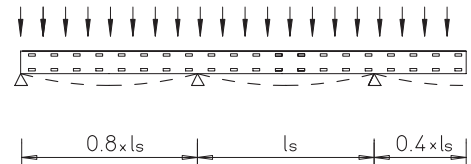
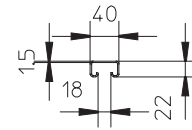
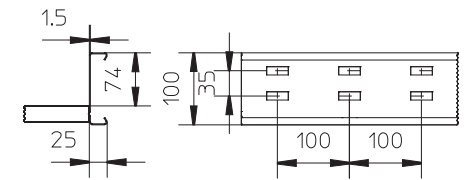
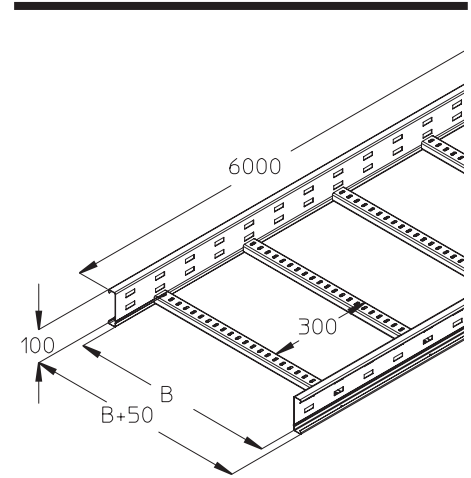
Wide-span cable ladder, additional transverse rigidity due to welded rungs, rungs made of profile rail perforated. Electrical conductivity tested according to DIN EN 61537. Welded construction.



article number	H mm	B mm	L mm	G kg
F				
WP10-20-HDG	100	200	6000	27.56
WP10-30-HDG	100	300	6000	29.88
WP10-40-HDG	100	400	6000	32.20
WP10-45-HDG	100	450	6000	33.36
WP10-50-HDG	100	500	6000	34.52
WP10-60-HDG	100	600	6000	36.84
WP10-70-HDG	100	700	6000	39.16
WP10-75-HDG	100	750	6000	40.32
WP10-80-HDG	100	800	6000	41.48
WP10-90-HDG	100	900	6000	43.80
WP10-100-HDG	100	1000	6000	46.12
E				
WP10-20-304	100	200	6000	27.56
WP10-30-304	100	300	6000	29.88
WP10-40-304	100	400	6000	32.20
WP10-45-304	100	450	6000	33.36
WP10-50-304	100	500	6000	34.52
WP10-60-304	100	600	6000	36.84
WP10-70-304	100	700	6000	39.16
WP10-75-304	100	750	6000	40.32
WP10-80-304	100	800	6000	41.48
WP10-90-304	100	900	6000	43.80
WP10-100-304	100	1000	6000	46.12
E4				
WP10-20-316	100	200	6000	27.56
WP10-30-316	100	300	6000	29.88
WP10-40-316	100	400	6000	32.20
WP10-45-316	100	450	6000	33.36
WP10-50-316	100	500	6000	34.52
WP10-60-316	100	600	6000	36.84
WP10-70-316	100	700	6000	39.16
WP10-75-316	100	750	6000	40.32
WP10-80-316	100	800	6000	41.48
WP10-90-316	100	900	6000	43.80
WP10-100-316	100	1000	6000	46.12

accessories optional:

WPHB 100	wide-span bend, height=100	(page D07)
WPIR 100	wide-span inside riser, height=100	(page D10)
WPOR 100	wide-span outside riser, height=100	(page D13)
WPTP 100	wide-span branch-piece, height=100	(page D16)
WPBP 100	wide-span attachment branch-piece, height=100	(page D18)
WPCP 100	wide-span cross-piece, height=100	(page D20)
WPS 100	wide-span barrier strip, height=50	(page D39)
KPAB	end plate	(page D40)
WPC 100	wide-span coupler, height=100	(page D30)
WPC 100	wide-span coupler, height=100	(page D31)
WPCV 100	wide-span coupler, height=100	(page D33)
WPF-B	flange mounting clamp (brackets)	(page D34)
WPF-C	flange mounting clamp (C-profiles)	(page D35)
WPF-P	flange mounting clamp (profiles)	(page D36)
WPF-IS	isolation strip	(page D36)



Wide-span systems

WP 150 wide-span cable ladder, height=150 mm

Wide-span cable ladder, additional transverse rigidity due to welded rungs, rungs made of profile rail perforated. Electrical conductivity tested according to DIN EN 61537. Welded construction.

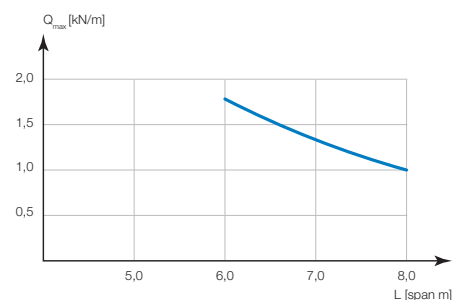
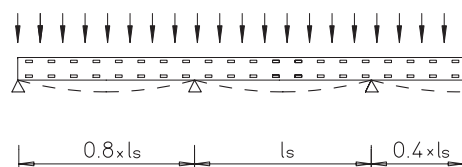
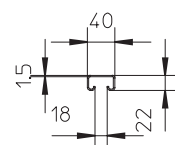
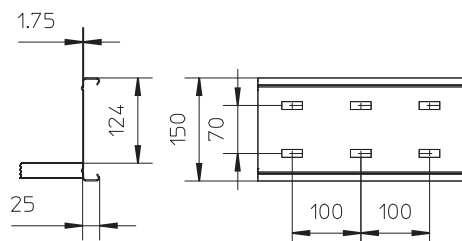
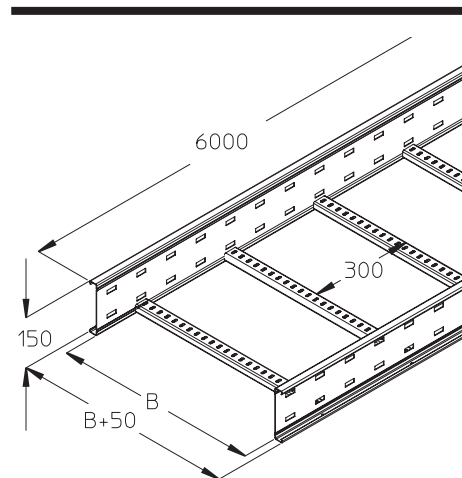
article number	H mm	B mm	L mm	G kg
F				
WP15-20-HDG	150	200	6000	42.42
WP15-30-HDG	150	300	6000	42.84
WP15-40-HDG	150	400	6000	45.21
WP15-45-HDG	150	450	6000	46.40
WP15-50-HDG	150	500	6000	47.60
WP15-60-HDG	150	600	6000	49.99
WP15-70-HDG	150	700	6000	52.38
WP15-75-HDG	150	750	6000	53.58
WP15-80-HDG	150	800	6000	54.78
WP15-90-HDG	150	900	6000	57.17
WP15-100-HDG	150	1000	6000	59.56

E				
WP15-20-304	150	200	6000	42.42
WP15-30-304	150	300	6000	42.84
WP15-40-304	150	400	6000	45.21
WP15-45-304	150	450	6000	46.40
WP15-50-304	150	500	6000	47.60
WP15-60-304	150	600	6000	49.99
WP15-70-304	150	700	6000	52.38
WP15-75-304	150	750	6000	53.58
WP15-80-304	150	800	6000	54.78
WP15-90-304	150	900	6000	57.17
WP15-100-304	150	1000	6000	59.56

E4				
WP15-20-316	150	200	6000	42.42
WP15-30-316	150	300	6000	42.84
WP15-40-316	150	400	6000	45.21
WP15-45-316	150	450	6000	46.40
WP15-50-316	150	500	6000	47.60
WP15-60-316	150	600	6000	49.99
WP15-70-316	150	700	6000	52.38
WP15-75-316	150	750	6000	53.58
WP15-80-316	150	800	6000	54.78
WP15-90-316	150	900	6000	57.17
WP15-100-316	150	1000	6000	59.56

accessories optional:

WPHB 150	wide-span bend, height=150	(page D08)
WPIR 150	wide-span inside riser, height=150	(page D11)
WPOR 150	wide-span outside riser, height=150	(page D14)
WPTP 150	wide-span branch-piece, height=150	(page D17)
WPBP 150	wide-span attachment branch-piece, height=150	(page D19)
WPCP 150	wide-span cross-piece, height=150	(page D21)
WPS 150	wide-span barrier strip, height=100	(page D39)
KPAB	end plate	(page D40)
WPC 150	wide-span coupler, height=150	(page D30)
WPCH 150	wide-span coupler, height=150	(page D32)
WPCV 150	wide-span coupler, height=150	(page D33)
WPF-B	flange mounting clamp (brackets)	(page D34)
WPF-C	flange mounting clamp (C-profiles)	(page D35)
WPF-P	flange mounting clamp (profiles)	(page D36)
WPF-IS	isolation strip	(page D36)



Wide-span systems

Fittings

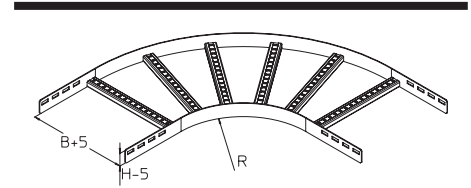
WPHB 60 wide-span bend, height=60 mm

Wide-span cable ladder bend 90 for horizontal change of direction with integrated connectors.
Welded construction. Formeel components must be supported at all sides.

article number	H mm	B mm	angle	R mm	G kg
F					
WPHB06-15-90-30-HDG	60	150	90	300	4.21
WPHB06-20-90-30-HDG	60	200	90	300	4.45
WPHB06-30-90-30-HDG	60	300	90	300	5.27
WPHB06-40-90-30-HDG	60	400	90	300	6.57
WPHB06-60-90-30-HDG	60	600	90	300	9.16

accessories included:

4x **SEM 8-304** hexagon-nut, DIN 934 (page D46)
4x **FRSV 8X16-304** round-head screw with short square. DIN 603 (page D43)



Wide-span systems

Fittings

WPHB 100 wide-span bend, height=100 mm

Wide-span cable ladder bend 90 for horizontal change of direction with integrated connectors.
Welded construction. Formed components must be supported at all sides. The following angles are available on request: 30°, 45°, 60°. The following radii are available on request: 300 mm, 600 mm, 900 mm.

article number	H mm	B mm	angle	R mm	G kg
F					
WPHB10-20-90-45-HDG	100	200	90	450	8.60
WPHB10-30-90-45-HDG	100	300	90	450	9.77
WPHB10-40-90-45-HDG	100	400	90	450	11.59
WPHB10-45-90-45-HDG	100	450	90	450	12.25
WPHB10-50-90-45-HDG	100	500	90	450	13.72
WPHB10-60-90-45-HDG	100	600	90	450	15.21
WPHB10-70-90-45-HDG	100	700	90	450	17.82
WPHB10-75-90-45-HDG	100	750	90	450	18.64
WPHB10-80-90-45-HDG	100	800	90	450	19.47
WPHB10-90-90-45-HDG	100	900	90	450	22.56
WPHB10-100-90-45-HDG	100	1000	90	450	24.53

accessories included:

8 x **KLS 10X20-HDG** fixing set (page D42)

E					
WPHB10-20-90-45-304	100	200	90	450	8.60
WPHB10-30-90-45-304	100	300	90	450	9.77
WPHB10-40-90-45-304	100	400	90	450	11.59
WPHB10-45-90-45-304	100	450	90	450	12.25
WPHB10-50-90-45-304	100	500	90	450	13.72
WPHB10-60-90-45-304	100	600	90	450	15.21
WPHB10-70-90-45-304	100	700	90	450	17.82
WPHB10-75-90-45-304	100	750	90	450	18.64
WPHB10-80-90-45-304	100	800	90	450	19.47
WPHB10-90-90-45-304	100	900	90	450	22.56
WPHB10-100-90-45-304	100	1000	90	450	24.53

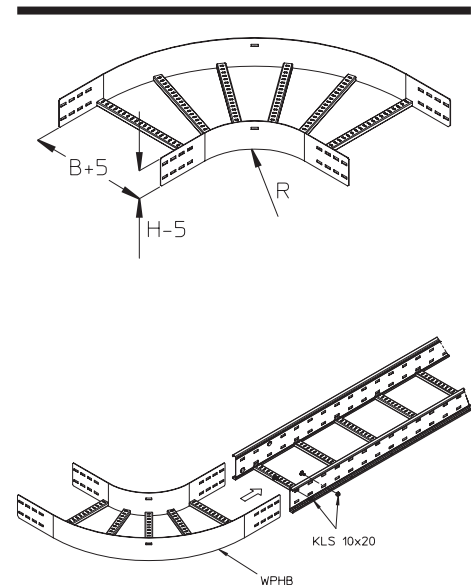
accessories included:

8 x **KLS 10X20-304** fixing set (page D42)

E4					
WPHB10-20-90-45-316	100	200	90	450	8.60
WPHB10-30-90-45-316	100	300	90	450	9.77
WPHB10-40-90-45-316	100	400	90	450	11.59
WPHB10-45-90-45-316	100	450	90	450	12.25
WPHB10-50-90-45-316	100	500	90	450	13.72
WPHB10-60-90-45-316	100	600	90	450	15.21
WPHB10-70-90-45-316	100	700	90	450	17.82
WPHB10-75-90-45-316	100	750	90	450	18.64
WPHB10-80-90-45-316	100	800	90	450	19.47
WPHB10-90-90-45-316	100	900	90	450	22.56
WPHB10-100-90-45-316	100	1000	90	450	24.53

accessories included:

8 x **KLS 10X20-316** fixing set (page D42)



Wide-span systems

Fittings

WPHB 150 wide-span bend, height=150 mm

Wide-span cable ladder bend 90 for horizontal change of direction with integrated connectors.
Welded construction. Formed components must be supported at all sides. The following angles are available on request: 30 °, 45 °, 60 °, The following radii are available on request: 300 mm, 600 mm, 900 mm.

article number	H mm	B mm	angle	R mm	G kg
F					
WPHB15-20-90-45-HDG	150	200	90	450	12.12
WPHB15-30-90-45-HDG	150	300	90	450	13.49
WPHB15-40-90-45-HDG	150	400	90	450	15.51
WPHB15-45-90-45-HDG	150	450	90	450	16.27
WPHB15-50-90-45-HDG	150	500	90	450	17.84
WPHB15-60-90-45-HDG	150	600	90	450	19.52
WPHB15-70-90-45-HDG	150	700	90	450	22.33
WPHB15-75-90-45-HDG	150	750	90	450	23.26
WPHB15-80-90-45-HDG	150	800	90	450	24.18
WPHB15-90-90-45-HDG	150	900	90	450	27.46
WPHB15-100-90-45-HDG	150	1000	90	450	29.73

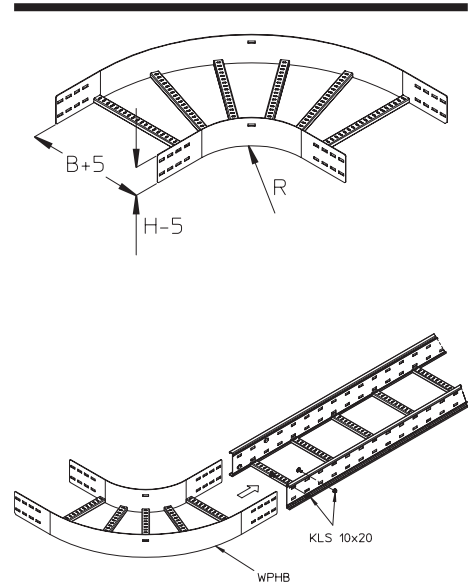
accessories included:
8 x **KLS 10X20-HDG** fixing set (page D42)

E					
WPHB15-20-90-45-304	150	200	90	450	12.12
WPHB15-40-90-45-304	150	400	90	450	15.51
WPHB15-45-90-45-304	150	450	90	450	16.27
WPHB15-50-90-45-304	150	500	90	450	17.84
WPHB15-60-90-45-304	150	600	90	450	19.52
WPHB15-70-90-45-304	150	700	90	450	22.33
WPHB15-75-90-45-304	150	750	90	450	23.26
WPHB15-80-90-45-304	150	800	90	450	24.18
WPHB15-90-90-45-304	150	900	90	450	27.46
WPHB15-100-90-45-304	150	1000	90	450	29.73

accessories included:
8 x **KLS 10x20-304** fixing set (page D42)

E4					
WPHB15-20-90-45-316	150	200	90	450	12.12
WPHB15-30-90-45-316	150	300	90	450	13.49
WPHB15-40-90-45-316	150	400	90	450	15.51
WPHB15-45-90-45-316	150	450	90	450	16.27
WPHB15-50-90-45-316	150	500	90	450	17.84
WPHB15-60-90-45-316	150	600	90	450	19.52
WPHB15-70-90-45-316	150	700	90	450	22.33
WPHB15-75-90-45-316	150	750	90	450	23.26
WPHB15-80-90-45-316	150	800	90	450	24.18
WPHB15-90-90-45-316	150	900	90	450	27.46
WPHB15-100-90-45-316	150	1000	90	450	29.73

accessories included:
8 x **KLS 10x20-316** fixing set (page D42)

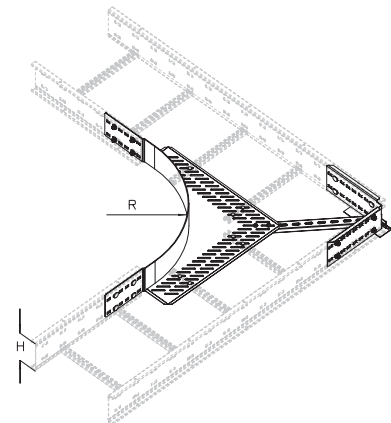


Wide-span systems

Fittings

WPLEAB 150 wide-span ladder bend

article number		H mm	G kg
F			
WPLEAB 150F		150	9.45
accessories included:			
16x FRSV 10X20F	round-head screw with short square, DIN 603	(page D43)	
16x SEM 10F	hexagon-nut, DIN 934	(page D46)	
16x US 10X21F	square washer, DIN 125	(page D47)	
8x FRS 6X25E	round-head screw with square, DIN 603	(page D43)	
8x SEM 6E	hexagon-nut, DIN 934	(page D46)	
1x KHA 8-08F	profile rail 40x22 mm, perforated	(page F60)	
3x FKS 6X20E	slotted cylinder head screw, DIN EN ISO 1580	(page D43)	
2x AMA18 M6F	channel nut, A 7/A 8/A 9	(page H44)	
1x AMF18 M6F	channel spring nut, A7/A8	(page H45)	
10x US 8X17E	square washer, DIN 125	(page D47)	
E			
WPLEAB 150E		150	8.55
accessories included:			
16x FRSV 10X20E	round-head screw with short square, DIN 603	(page D43)	
16x SEMS 10E	hexagon nut with flange, DIN EN 1661	(page D46)	
8x FRS 6X25E	round-head screw with square, DIN 603	(page D43)	
8x SEM 6E	hexagon-nut, DIN 934	(page D46)	
1x KHA 7-08E	profile rail 39.5x22 mm, perforated	(page F60)	
3x FKS 6X20E	slotted cylinder head screw, DIN EN ISO 1580	(page D43)	
3x AMA18 M6E	channel nut, A 7/A 8/A 9	(page H44)	
10x US 8X17E	square washer, DIN 125	(page D47)	

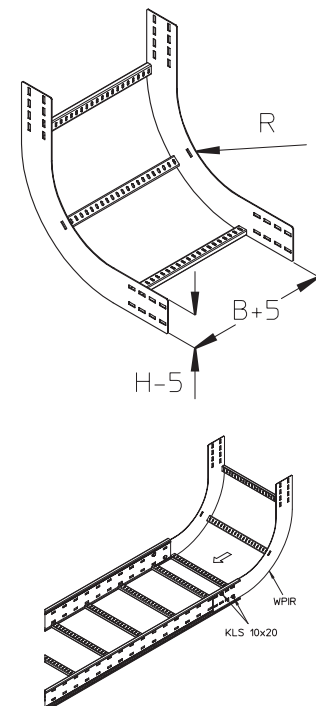


WPIR 60 wide-span inside riser, height=60 mm

Wide-span cable ladder bend 90 for vertical change of direction with integrated connectors welded construction. Formed components must be supported at all sides.

article number	H mm	B mm	angle	R mm	G kg
F					
WPIR06-15-90-30-HDG	60	150	90	300	3.26
WPIR06-20-90-30-HDG	60	200	90	300	3.51
WPIR06-30-90-30-HDG	60	300	90	300	3.87
WPIR06-40-90-30-HDG	60	400	90	300	4.23
WPIR06-60-90-30-HDG	60	600	90	300	4.95

accessories included:
8x **KLS 10X20-HDG** fixing set (page D42)



Wide-span systems

Fittings

WPIR 100 wide-span inside riser, height=100 mm

Wide-span cable ladder bend 90° for vertical change of direction with integrated connectors.
 Welded construction. Formed components must be supported at all sides. The following angles are available on request: 30°, 45°, 60°. The following radii are available on request: 300 mm, 600 mm, 900 mm.

article number	H mm	B mm	angle	R mm	G kg
F					
WPIR10-20-90-45-HDG	100	200	90	450	7.45
WPIR10-30-90-45-HDG	100	300	90	450	8.09
WPIR10-40-90-45-HDG	100	400	90	450	8.72
WPIR10-45-90-45-HDG	100	450	90	450	9.04
WPIR10-50-90-45-HDG	100	500	90	450	9.36
WPIR10-60-90-45-HDG	100	600	90	450	10.00
WPIR10-70-90-45-HDG	100	700	90	450	10.63
WPIR10-75-90-45-HDG	100	750	90	450	10.95
WPIR10-80-90-45-HDG	100	800	90	450	11.27
WPIR10-90-90-45-HDG	100	900	90	450	11.90
WPIR10-100-90-45-HDG	100	1000	90	450	12.54

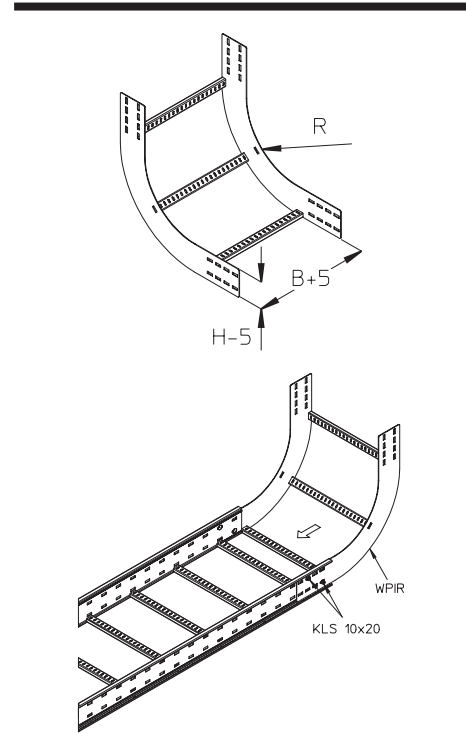
accessories included:
 8 x **KLS 10X20-HDG** fixing set (page D42)

E					
WPIR10-20-90-45-304	100	200	90	450	7.45
WPIR10-30-90-45-304	100	300	90	450	8.09
WPIR10-40-90-45-304	100	400	90	450	8.72
WPIR10-45-90-45-304	100	450	90	450	9.04
WPIR10-50-90-45-304	100	500	90	450	9.36
WPIR10-60-90-45-304	100	600	90	450	10.00
WPIR10-70-90-45-304	100	700	90	450	10.63
WPIR10-75-90-45-304	100	750	90	450	10.95
WPIR10-80-90-45-304	100	800	90	450	11.27
WPIR10-90-90-45-304	100	900	90	450	11.90
WPIR10-100-90-45-304	100	1000	90	450	12.54

accessories included:
 8 x **KLS 10X20-304** fixing set (page D42)

E4					
WPIR10-20-90-45-316	100	200	90	450	7.45
WPIR10-30-90-45-316	100	300	90	450	8.09
WPIR10-40-90-45-316	100	400	90	450	8.72
WPIR10-45-90-45-316	100	450	90	450	9.04
WPIR10-50-90-45-316	100	500	90	450	9.36
WPIR10-60-90-45-316	100	600	90	450	10.00
WPIR10-70-90-45-316	100	700	90	450	10.63
WPIR10-75-90-45-316	100	750	90	450	10.95
WPIR10-80-90-45-316	100	800	90	450	11.27
WPIR10-90-90-45-316	100	900	90	450	11.90
WPIR10-100-90-45-316	100	1000	90	450	12.54

accessories included:
 8 x **KLS 10X20-316** fixing set (page D42)



Wide-span systems

Fittings

WPIR 150 wide-span inside riser, height=150 mm

Wide-span cable ladder bend 90 for vertical change of direction with integrated connectors.
Welded construction. Formed components must be supported at all sides. The following angles are available on request: 30°, 45°, 60°. The following radii are available on request: 300 mm, 600 mm, 900 mm.

article number	H mm	B mm	angle	R mm	G kg
F					
WPIR15-20-90-45-HDG	150	200	90	450	10.69
WPIR15-30-90-45-HDG	150	300	90	450	11.27
WPIR15-40-90-45-HDG	150	400	90	450	12.72
WPIR15-45-90-45-HDG	150	450	90	450	13.12
WPIR15-50-90-45-HDG	150	500	90	450	13.52
WPIR15-60-90-45-HDG	150	600	90	450	14.31
WPIR15-70-90-45-HDG	150	700	90	450	15.11
WPIR15-75-90-45-HDG	150	750	90	450	15.51
WPIR15-80-90-45-HDG	150	800	90	450	15.90
WPIR15-90-90-45-HDG	150	900	90	450	16.70
WPIR15-100-90-45-HDG	150	1000	90	450	17.33

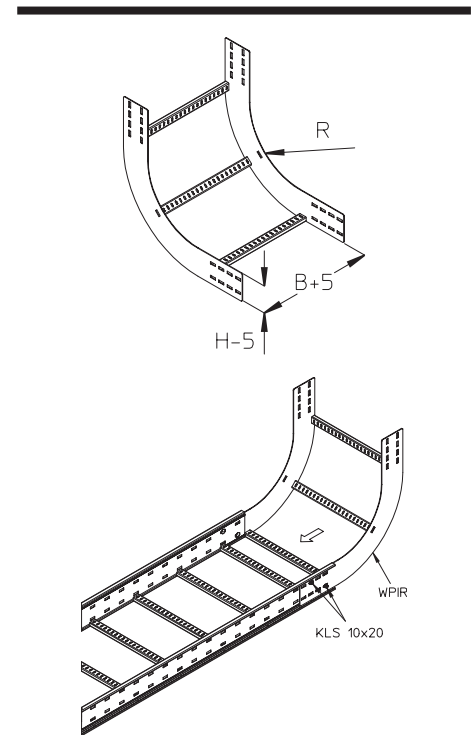
accessories included:
8 x **KLS 10X20-HDG** fixing set (page D42)

E					
WPIR15-20-90-45-304	150	200	90	450	11.13
WPIR15-30-90-45-304	150	300	90	450	11.93
WPIR15-40-90-45-304	150	400	90	450	12.72
WPIR15-45-90-45-304	150	450	90	450	13.12
WPIR15-50-90-45-304	150	500	90	450	13.52
WPIR15-60-90-45-304	150	600	90	450	14.31
WPIR15-70-90-45-304	150	700	90	450	15.51
WPIR15-75-90-45-304	150	750	90	450	15.51
WPIR15-80-90-45-304	150	800	90	450	15.90
WPIR15-90-90-45-304	150	900	90	450	16.70
WPIR15-100-90-45-304	150	1000	90	450	17.49

accessories included:
8 x **KLS 10X20-304** fixing set (page D42)

E4					
WPIR15-20-90-45-316	150	200	90	450	11.13
WPIR15-30-90-45-316	150	300	90	450	11.93
WPIR15-40-90-45-316	150	400	90	450	12.72
WPIR15-45-90-45-316	150	450	90	450	13.12
WPIR15-50-90-45-316	150	500	90	450	13.52
WPIR15-60-90-45-316	150	600	90	450	14.31
WPIR15-70-90-45-316	150	700	90	450	15.11
WPIR15-75-90-45-316	150	750	90	450	15.51
WPIR15-80-90-45-316	150	800	90	450	15.90
WPIR15-90-90-45-316	150	900	90	450	16.70
WPIR15-100-90-45-316	150	1000	90	450	17.49

accessories included:
8 x **KLS 10X20-316** fixing set (page D42)



Wide-span systems

Fittings

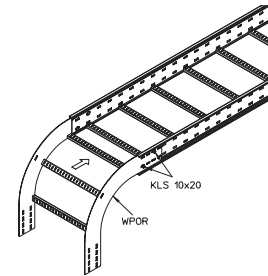
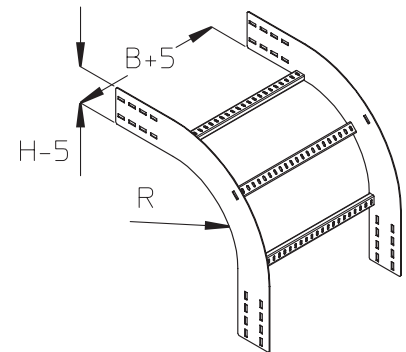
WPOR 60 wide-span outside riser, height=60 mm

Wide-span cable ladder outside riser 90 for vertical change of direction with integrated connectors welded construction. Formed components must be supported at all sides.

article number	H mm	B mm	angle	R mm	G kg
F					
WPOR06-15-90-30-HDG	60	150	90	300	3.88
WPOR06-20-90-30-HDG	60	200	90	300	4.19
WPOR06-30-90-30-HDG	60	300	90	300	4.67
WPOR06-40-90-30-HDG	60	400	90	300	5.15
WPOR06-60-90-30-HDG	60	600	90	300	6.10

accessories included:
8x **KLS 10X20-HDG** fixing set

(page D42)



Wide-span systems

Fittings

WPOR 100 wide-span outside riser, height=100 mm

Wide-span cable ladder outside riser 90 for vertical change of direction with integrated connectors. Welded construction. Formed components must be supported at all sides. The following angles are available on request: 30°, 45°, 60°. The following radii are available on request: 300 mm, 600 mm, 900 mm.

article number	H mm	B mm	angle	R mm	G kg
F					
WPOR10-20-90-45-HDG	100	200	90	450	7.45
WPOR10-30-90-45-HDG	100	300	90	450	8.09
WPOR10-40-90-45-HDG	100	400	90	450	8.72
WPOR10-45-90-45-HDG	100	450	90	450	9.04
WPOR10-50-90-45-HDG	100	500	90	450	9.36
WPOR10-60-90-45-HDG	100	600	90	450	10.00
WPOR10-70-90-45-HDG	100	700	90	450	10.63
WPOR10-75-90-45-HDG	100	750	90	450	10.95
WPOR10-80-90-45-HDG	100	800	90	450	11.27
WPOR10-90-90-45-HDG	100	900	90	450	11.90
WPOR10-100-90-45-HDG	100	1000	90	450	12.54

accessories included:

8 x **KLS 10X20-HDG** fixing set (page D42)

E					
WPOR10-20-90-45-304	100	200	90	450	7.45
WPOR10-30-90-45-304	100	300	90	450	8.09
WPOR10-40-90-45-304	100	400	90	450	8.72
WPOR10-45-90-45-304	100	450	90	450	8.97
WPOR10-50-90-45-304	100	500	90	450	9.36
WPOR10-60-90-45-304	100	600	90	450	10.00
WPOR10-70-90-45-304	100	700	90	450	10.63
WPOR10-75-90-45-304	100	750	90	450	10.95
WPOR10-80-90-45-304	100	800	90	450	11.27
WPOR10-90-90-45-304	100	900	90	450	11.90
WPOR10-100-90-45-304	100	1000	90	450	12.54

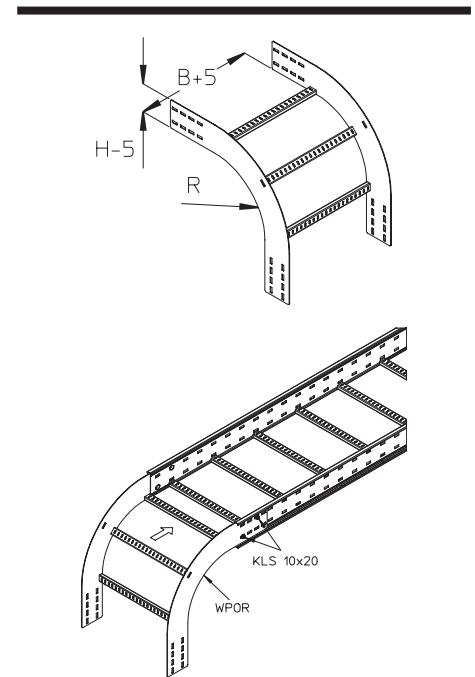
accessories included:

8 x **KLS 10X20-304** fixing set (page D42)

E4					
WPOR10-20-90-45-316	100	200	90	450	7.45
WPOR10-30-90-45-316	100	300	90	450	8.09
WPOR10-40-90-45-316	100	400	90	450	8.72
WPOR10-45-90-45-316	100	450	90	450	9.04
WPOR10-50-90-45-316	100	500	90	450	9.36
WPOR10-60-90-45-316	100	600	90	450	10.00
WPOR10-70-90-45-316	100	700	90	450	10.63
WPOR10-75-90-45-316	100	750	90	450	10.95
WPOR10-80-90-45-316	100	800	90	450	11.27
WPOR10-90-90-45-316	100	900	90	450	11.90
WPOR10-100-90-45-316	100	1000	90	450	12.54

accessories included:

8 x **KLS 10X20-316** fixing set (page D42)



D

Wide-span systems

Fittings

WPOR 150 wide-span outside riser, height=150 mm

Wide-span cable ladder outside riser 90 for vertical change of direction with integrated connectors.
Welded construction. Formed components must be supported at all sides. The following angles are available on request: 30°, 45°, 60°, The following radii are available on request: 300 mm, 600 mm, 900 mm.

article number	H mm	B mm	angle	R mm	G kg
F					
WPOR15-20-90-45-HDG	150	200	90	450	10.81
WPOR15-30-90-45-HDG	150	300	90	450	11.44
WPOR15-40-90-45-HDG	150	400	90	450	12.08
WPOR15-45-90-45-HDG	150	450	90	450	12.40
WPOR15-50-90-45-HDG	150	500	90	450	12.72
WPOR15-60-90-45-HDG	150	600	90	450	13.35
WPOR15-70-90-45-HDG	150	700	90	450	13.99
WPOR15-75-90-45-HDG	150	750	90	450	14.31
WPOR15-80-90-45-HDG	150	800	90	450	14.62
WPOR15-90-90-45-HDG	150	900	90	450	15.26
WPOR15-100-90-45-HDG	150	1000	90	450	15.90

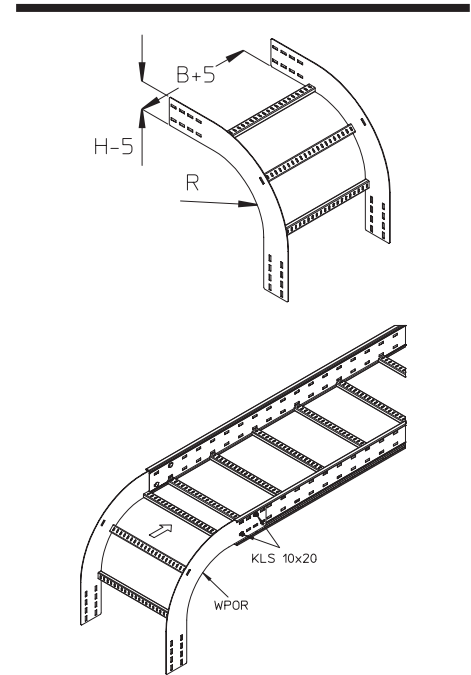
accessories included:
8 x **KLS 10X20-HDG** fixing set (page D42)

E					
WPOR15-20-90-45-304	150	200	90	450	10.81
WPOR15-30-90-45-304	150	300	90	450	11.44
WPOR15-40-90-45-304	150	400	90	450	12.08
WPOR15-45-90-45-304	150	450	90	450	12.40
WPOR15-50-90-45-304	150	500	90	450	12.72
WPOR15-60-90-45-304	150	600	90	450	13.35
WPOR15-70-90-45-304	150	700	90	450	13.99
WPOR15-75-90-45-304	150	750	90	450	14.31
WPOR15-80-90-45-304	150	800	90	450	14.62
WPOR15-90-90-45-304	150	900	90	450	15.26
WPOR15-100-90-45-304	150	1000	90	450	15.90

accessories included:
8 x **KLS 10X20-304** fixing set (page D42)

E4					
WPOR15-20-90-45-316	150	200	90	450	10.81
WPOR15-30-90-45-316	150	300	90	450	11.44
WPOR15-40-90-45-316	150	400	90	450	12.08
WPOR15-45-90-45-316	150	450	90	450	12.40
WPOR15-50-90-45-316	150	500	90	450	12.72
WPOR15-60-90-45-316	150	600	90	450	13.35
WPOR15-70-90-45-316	150	700	90	450	13.99
WPOR15-75-90-45-316	150	750	90	450	14.31
WPOR15-80-90-45-316	150	800	90	450	14.62
WPOR15-90-90-45-316	150	900	90	450	15.26
WPOR15-100-90-45-316	150	1000	90	450	15.90

accessories included:
8 x **KLS 10X20-316** fixing set (page D42)



Wide-span systems

Fittings

WPTP 60 wide-span branch, height=60 mm

Wide-span cable ladder branch shaped form as T-piece with integrated connectors. Formed components must be supported at all sides. Dissymmetric branches on request. Branches with higher width/ radius are delivered as two pieces including coupling bolts.

article number	H mm	B mm	R mm	G kg
F				
WPTP06-15-30-HDG	60	150	300	7.12
WPTP06-20-30-HDG	60	200	300	7.71
WPTP06-30-30-HDG	60	300	300	8.57
WPTP06-40-30-HDG	60	400	300	9.99
WPTP06-60-30-HDG	60	600	300	12.85

accessories included:

6 x **SEM 8-304**

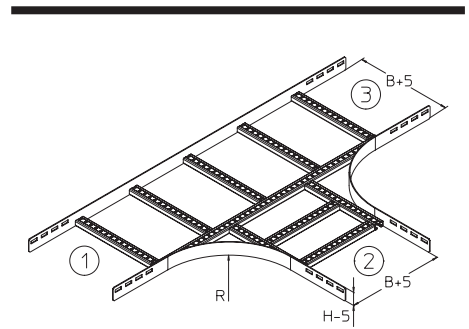
hexagon-nut, DIN 934

(page D46)

6x **FRSV 8X16-304**

round-head screw with short square, DIN 603

(page D43)



Wide-span systems

Fittings

WPTP 100 wide-span branch-piece. height=100 mm

Wide-span cable ladder branch shaped form as T-piece with integrated connectors. Welded construction. Formed components must be supported at all sides. Dissymmetric branches on request. Branches with higher width/radius are delivered as two pieces including coupling bolts. The following radii are available on request: 300 mm, 600 mm, 900 mm.

article number	H mm	B mm	R mm	G kg
F				
WPTP10-20-45-HDG	100	200	450	12.22
WPTP10-30-45-HDG	100	300	450	13.92
WPTP10-40-45-HDG	100	400	450	15.42
WPTP10-45-45-HDG	100	450	450	16.22
WPTP10-50-45-HDG	100	500	450	17.02
WPTP10-60-45-HDG	100	600	450	19.42
WPTP10-70-45-HDG	100	700	450	26.20
WPTP10-75-45-HDG	100	750	450	26.90
WPTP10-80-45-HDG	100	800	450	27.80
WPTP10-90-45-HDG	100	900	450	31.00
WPTP10-100-45-HDG	100	1000	450	33.10

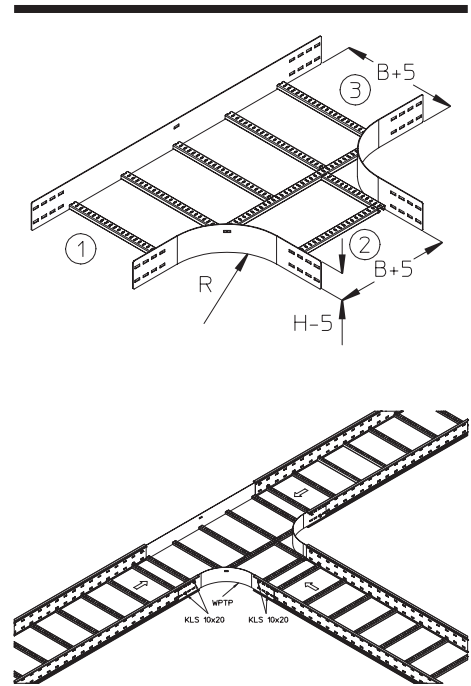
accessories included:
12 x **KLS 10X20-HDG** fixing set (page D42)

E				
WPTP10-20-45-304	100	200	450	12.22
WPTP10-30-45-304	100	300	450	13.92
WPTP10-40-45-304	100	400	450	15.42
WPTP10-45-45-304	100	450	450	16.54
WPTP10-50-45-304	100	500	450	17.02
WPTP10-60-45-304	100	600	450	19.42
WPTP10-70-45-304	100	700	450	22.46
WPTP10-75-45-304	100	750	450	26.90
WPTP10-80-45-304	100	800	450	27.80
WPTP10-90-45-304	100	900	450	31.00
WPTP10-100-45-304	100	1000	450	33.10

accessories included:
12 x **KLS 10X20-304** fixing set (page D42)

E4				
WPTP10-20-45-316	100	200	450	12.22
WPTP10-30-45-316	100	300	450	13.92
WPTP10-40-45-316	100	400	450	15.42
WPTP10-45-45-316	100	450	450	16.54
WPTP10-50-45-316	100	500	450	17.02
WPTP10-60-45-316	100	600	450	19.42
WPTP10-70-45-316	100	700	450	26.20
WPTP10-75-45-316	100	750	450	26.90
WPTP10-80-45-316	100	800	450	27.80
WPTP10-90-45-316	100	900	450	31.00
WPTP10-100-45-316	100	1000	450	33.10

accessories included:
12 x **KLS 10X20-316** fixing set (page D42)



Wide-span systems

Fittings

WPTP 150 wide-span branch-piece. height=150 mm

Wide-span cable ladder branch shaped form as T-piece with integrated connectors. Welded construction. Formed components must be supported at all sides. Dissymmetric branches on request. Branches with higher width/radius are delivered as two pieces including coupling bolts. The following radii are available on request: 300 mm, 600 mm, 900 mm.

article number	H mm	B mm	R mm	G kg
F				
WPTP15-20-45-HDG	150	200	450	15.78
WPTP15-30-45-HDG	150	300	450	17.68
WPTP15-40-45-HDG	150	400	450	19.32
WPTP15-45-45-HDG	150	450	450	20.10
WPTP15-50-45-HDG	150	500	450	20.96
WPTP15-60-45-HDG	150	600	450	23.49
WPTP15-70-45-HDG	150	700	450	31.80
WPTP15-75-45-HDG	150	750	450	32.70
WPTP15-80-45-HDG	150	800	450	33.60
WPTP15-90-45-HDG	150	900	450	37.00
WPTP15-100-45-HDG	150	1000	450	39.10

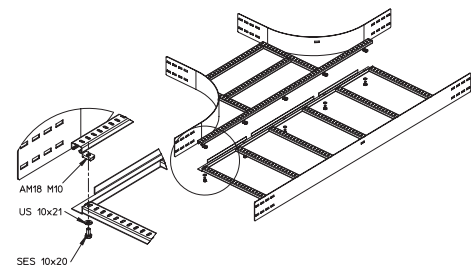
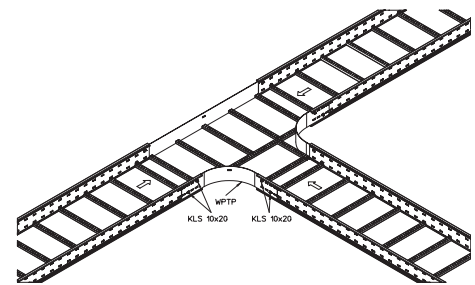
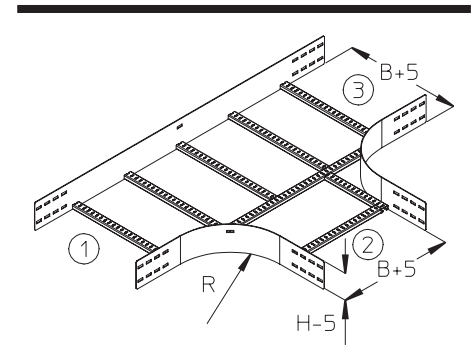
accessories included:
12 x **KLS 10X20-HDG** fixing set (page D42)

E				
WPTP15-20-45-304	150	200	450	15.78
WPTP15-30-45-304	150	300	450	17.68
WPTP15-40-45-304	150	400	450	19.32
WPTP15-45-45-304	150	450	450	20.10
WPTP15-50-45-304	150	500	450	20.96
WPTP15-60-45-304	150	600	450	23.49
WPTP15-70-45-304	150	700	450	28.27
WPTP15-75-45-304	150	750	450	29.05
WPTP15-80-45-304	150	800	450	29.82
WPTP15-90-45-304	150	900	450	32.36
WPTP15-100-45-304	150	1000	450	34.02

accessories included:
12 x **KLS 10X20-304** fixing set (page D42)

E4				
WPTP15-20-45-316	150	200	450	15.78
WPTP15-30-45-316	150	300	450	17.68
WPTP15-40-45-316	150	400	450	19.32
WPTP15-45-45-316	150	450	450	20.10
WPTP15-50-45-316	150	500	450	20.96
WPTP15-60-45-316	150	600	450	23.49
WPTP15-70-45-316	150	700	450	28.27
WPTP15-75-45-316	150	750	450	29.05
WPTP15-80-45-316	150	800	450	29.82
WPTP15-90-45-316	150	900	450	32.36
WPTP15-100-45-316	150	1000	450	34.02

accessories included:
12 x **KLS 10X20-316** fixing set (page D42)



Wide-span systems

Fittings

WPBP 100 wide-span attachment branch-piece. height=100 mm

Welded construction. Formed components must be supported at all sides. The following radii are available on request: 300 mm, 600 mm, 900 mm.

article number	H mm	B mm	R mm	G kg
F				
WPBP10-20-45-HDG	100	200	450	8.68
WPBP10-30-45-HDG	100	300	450	9.08
WPBP10-40-45-HDG	100	400	450	9.44
WPBP10-45-45-HDG	100	450	450	9.62
WPBP10-50-45-HDG	100	500	450	9.80
WPBP10-60-45-HDG	100	600	450	10.16
WPBP10-70-45-HDG	100	700	450	10.52
WPBP10-75-45-HDG	100	750	450	10.70
WPBP10-80-45-HDG	100	800	450	10.88
WPBP10-90-45-HDG	100	900	450	11.24
WPBP10-100-45-HDG	100	1000	450	11.60

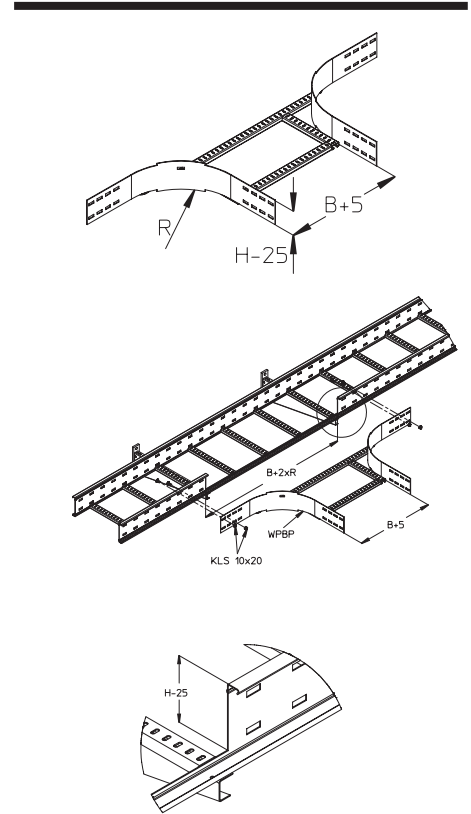
accessories included:
8 x **KLS 10X20-HDG** fixing set (page D42)

E				
WPBP10-20-45-304	100	200	450	8.68
WPBP10-30-45-304	100	300	450	9.08
WPBP10-40-45-304	100	400	450	9.48
WPBP10-45-45-304	100	450	450	9.62
WPBP10-50-45-304	100	500	450	9.80
WPBP10-60-45-304	100	600	450	10.18
WPBP10-70-45-304	100	700	450	10.52
WPBP10-75-45-304	100	750	450	10.70
WPBP10-80-45-304	100	800	450	10.88
WPBP10-90-45-304	100	900	450	11.24
WPBP10-100-45-304	100	1000	450	11.60

accessories included:
8 x **KLS 10X20-304** fixing set (page D42)

E4				
WPBP10-20-45-316	100	200	450	8.68
WPBP10-30-45-316	100	300	450	9.08
WPBP10-40-45-316	100	400	450	9.48
WPBP10-45-45-316	100	450	450	9.62
WPBP10-50-45-316	100	500	450	9.80
WPBP10-60-45-316	100	600	450	10.18
WPBP10-70-45-316	100	700	450	10.52
WPBP10-75-45-316	100	750	450	10.70
WPBP10-80-45-316	100	800	450	10.88
WPBP10-90-45-316	100	900	450	11.24
WPBP10-100-45-316	100	1000	450	11.60

accessories included:
8 x **KLS 10X20-316** fixing set (page D42)



Wide-span systems

Fittings

WPBP 150 wide-span attachment branch-piece. height=150 mm

Welded construction. Formed components must be supported at all sides. The following radii are available on request: 300 mm, 600 mm, 900 mm.

article number	H mm	B mm	R mm	G kg
F				
WPBP15-20-45-HDG	150	200	450	11.85
WPBP15-30-45-HDG	150	300	450	12.21
WPBP15-40-45-HDG	150	400	450	12.57
WPBP15-45-45-HDG	150	450	450	12.75
WPBP15-50-45-HDG	150	500	450	12.93
WPBP15-60-45-HDG	150	600	450	13.29
WPBP15-70-45-HDG	150	700	450	13.65
WPBP15-75-45-HDG	150	750	450	13.83
WPBP15-80-45-HDG	150	800	450	14.01
WPBP15-90-45-HDG	150	900	450	14.37
WPBP15-100-45-HDG	150	1000	450	14.73

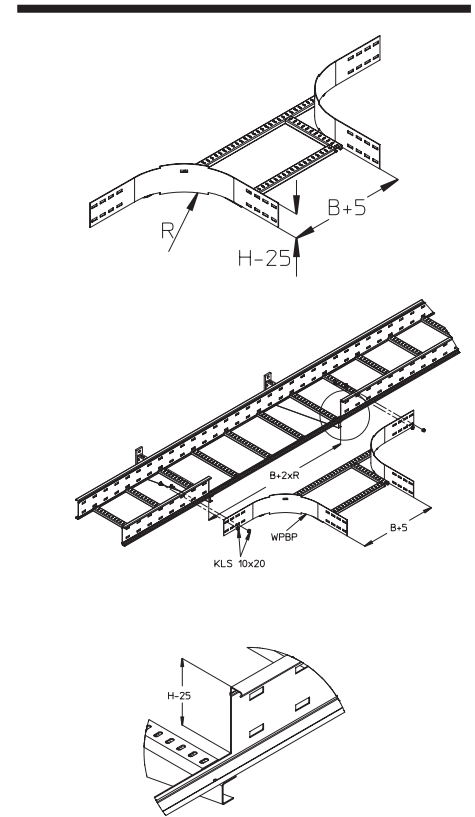
accessories included:
8 x **KLS 10X20-HDG** fixing set (page D42)

E				
WPBP15-20-45-304	150	200	450	11.85
WPBP15-30-45-304	150	300	450	12.21
WPBP15-40-45-304	150	400	450	12.57
WPBP15-45-45-304	150	450	450	12.75
WPBP15-50-45-304	150	500	450	12.93
WPBP15-60-45-304	150	600	450	13.29
WPBP15-70-45-304	150	700	450	13.65
WPBP15-75-45-304	150	750	450	13.83
WPBP15-80-45-304	150	800	450	14.01
WPBP15-90-45-304	150	900	450	14.37
WPBP15-100-45-304	150	1000	450	14.73

accessories included:
8 x **KLS 10X20-304** fixing set (page D42)

E4				
WPBP15-20-45-316	150	200	450	11.85
WPBP15-30-45-316	150	300	450	12.21
WPBP15-40-45-316	150	400	450	12.57
WPBP15-45-45-316	150	450	450	12.75
WPBP15-50-45-316	150	500	450	12.93
WPBP15-60-45-316	150	600	450	13.29
WPBP15-70-45-316	150	700	450	13.65
WPBP15-75-45-316	150	750	450	13.83
WPBP15-80-45-316	150	800	450	14.01
WPBP15-90-45-316	150	900	450	14.37
WPBP15-100-45-316	150	1000	450	14.73

accessories included:
8 x **KLS 10X20-316** fixing set (page D42)



Wide-span systems

Fittings

WPCP 100 wide-span cross-piece. height=100 mm

Wide-span cable ladder crossing for horizontal change of direction with integrated connectors.
Welded construction. Formed components must be supported at all sides. Dissymmetric crossings on request. Crossings with higher width/radius are delivered as two resp. four pieces including coupling bolts. The following radii are available on request: 300 mm, 600 mm, 900 mm.

article number	H mm	B mm	R mm	G kg
F				
WPCP10-20-45-HDG	100	200	450	18.78
WPCP10-30-45-HDG	100	300	450	20.24
WPCP10-40-45-HDG	100	400	450	21.56
WPCP10-45-45-HDG	100	450	450	22.22
WPCP10-50-45-HDG	100	500	450	22.87
WPCP10-60-45-HDG	100	600	450	24.82
WPCP10-70-45-HDG	100	700	450	35.73
WPCP10-75-45-HDG	100	750	450	36.81
WPCP10-80-45-HDG	100	800	450	37.90
WPCP10-90-45-HDG	100	900	450	41.38
WPCP10-100-45-HDG	100	1000	450	43.71

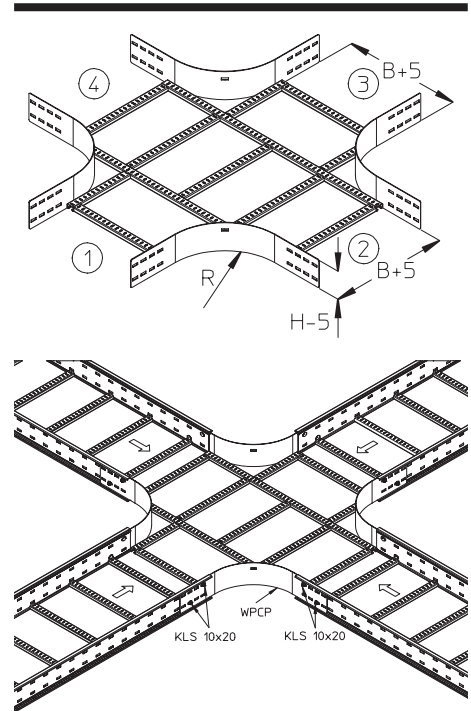
accessories included:
16 x **KLS 10X20-HDG** fixing set (page D42)

E				
WPCP10-20-45-304	100	200	450	17.69
WPCP10-30-45-304	100	300	450	19.07
WPCP10-40-45-304	100	400	450	20.31
WPCP10-45-45-304	100	450	450	20.93
WPCP10-50-45-304	100	500	450	22.00
WPCP10-60-45-304	100	600	450	23.88
WPCP10-70-45-304	100	700	450	29.74
WPCP10-75-45-304	100	750	450	30.57
WPCP10-80-45-304	100	800	450	31.40
WPCP10-90-45-304	100	900	450	34.01
WPCP10-100-45-304	100	1000	450	43.71

accessories included:
16 x **KLS 10X20-304** fixing set (page D42)

E				
WPCP10-20-45-316	100	200	450	17.91
WPCP10-30-45-316	100	300	450	19.31
WPCP10-40-45-316	100	400	450	20.56
WPCP10-45-45-316	100	450	450	21.19
WPCP10-50-45-316	100	500	450	22.00
WPCP10-60-45-316	100	600	450	23.88
WPCP10-70-45-316	100	700	450	29.74
WPCP10-75-45-316	100	750	450	30.57
WPCP10-80-45-316	100	800	450	31.40
WPCP10-90-45-316	100	900	450	34.01
WPCP10-100-45-316	100	1000	450	43.70

accessories included:
16 x **KLS 10X20-316** fixing set (page D42)



Wide-span systems

Fittings

WPCP 150 wide-span cross-piece. height=150 mm

Wide-span cable ladder crossing for horizontal change of direction with integrated connectors.
Welded construction. Formed components must be supported at all sides. Dissymmetric crossings on request. Crossings with higher width/radius are delivered as two resp. four pieces including coupling bolts. The following radii are available on request: 300 mm, 600 mm, 900 mm.

article number	H mm	B mm	R mm	G kg
F				
WPCP15-20-45-HDG	150	200	450	26.93
WPCP15-30-45-HDG	150	300	450	28.88
WPCP15-40-45-HDG	150	400	450	30.63
WPCP15-45-45-HDG	150	450	450	31.33
WPCP15-50-45-HDG	150	500	450	32.38
WPCP15-60-45-HDG	150	600	450	34.96
WPCP15-70-45-HDG	150	700	450	41.73
WPCP15-75-45-HDG	150	750	450	43.01
WPCP15-80-45-HDG	150	800	450	43.90
WPCP15-90-45-HDG	150	900	450	47.78
WPCP15-100-45-HDG	150	1000	450	49.71

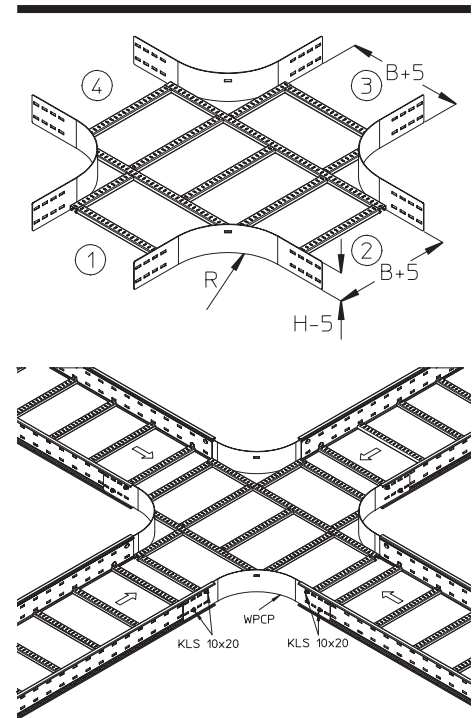
accessories included:
16 x **KLS 10X20-HDG** fixing set (page D42)

E				
WPCP15-20-45-304	150	200	450	24.18
WPCP15-30-45-304	150	300	450	25.60
WPCP15-40-45-304	150	400	450	26.88
WPCP15-45-45-304	150	450	450	27.39
WPCP15-50-45-304	150	500	450	28.16
WPCP15-60-45-304	150	600	450	30.04
WPCP15-70-45-304	150	700	450	35.89
WPCP15-75-45-304	150	750	450	36.72
WPCP15-80-45-304	150	800	450	37.55
WPCP15-90-45-304	150	900	450	40.16
WPCP15-100-45-304	150	1000	450	41.94

accessories included:
16 x **KLS 10X20-304** fixing set (page D42)

E4				
WPCP15-20-45-316	150	200	450	24.18
WPCP15-30-45-316	150	300	450	25.60
WPCP15-40-45-316	150	400	450	26.88
WPCP15-45-45-316	150	450	450	27.39
WPCP15-50-45-316	150	500	450	28.16
WPCP15-60-45-316	150	600	450	30.04
WPCP15-70-45-316	150	700	450	35.89
WPCP15-75-45-316	150	750	450	36.72
WPCP15-80-45-316	150	800	450	37.55
WPCP15-90-45-316	150	900	450	40.16
WPCP15-100-45-316	150	1000	450	41.94

accessories included:
16 x **KLS 10X20-316** fixing set (page D42)



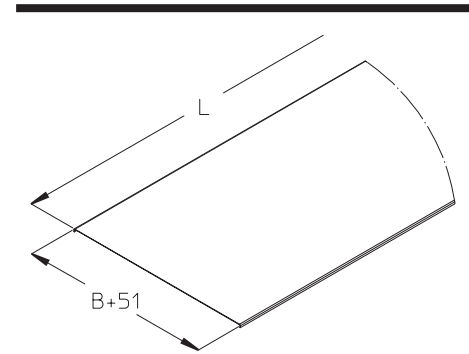
Wide-span systems

Cover

WPCO wide-span cover

In our additional information is explained which amount of fitting cover hook clips you need.

article number	B mm	L mm	G kg
F			
WPCO20-HDG	200	3000	5.08
WPCO30-HDG	300	3000	9.30
WPCO40-HDG	400	3000	11.82
WPCO45-HDG	450	3000	16.35
WPCO50-HDG	500	1500	8.96
WPCO60-HDG	600	1500	10.54
WPCO70-HDG	700	1500	14.53
WPCO75-HDG	750	1500	15.48
WPCO80-HDG	800	1500	16.42
WPCO90-HDG	900	1500	18.31
WPCO100-HDG	1000	1500	20.22
E			
WPCO20-304	200	3000	5.10
WPCO30-304	300	3000	8.75
WPCO40-304	400	3000	11.12
WPCO45-304	450	3000	15.38
WPCO50-304	500	1500	8.43
WPCO60-304	600	1500	9.91
WPCO70-304	700	1500	13.67
WPCO75-304	750	1500	15.48
WPCO80-304	800	1500	15.45
WPCO90-304	900	1500	17.22
WPCO100-304	1000	1500	19.00
E4			
WPCO20-316	200	3000	5.16
WPCO30-316	300	3000	8.86
WPCO40-316	400	3000	11.26
WPCO45-316	450	3000	15.57
WPCO50-316	500	1500	8.54
WPCO60-316	600	1500	10.04
WPCO70-316	700	1500	13.84
WPCO75-316	750	1500	14.74
WPCO80-316	800	1500	15.64
WPCO90-316	900	1500	17.44
WPCO100-316	1000	1500	19.24



accessories optional:

WPDUK

cover clamp

(page D23)

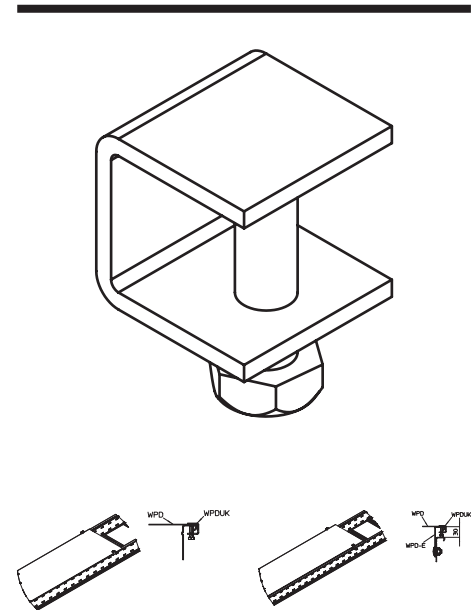
Wide-span systems

Cover

WPDUK cover clamp

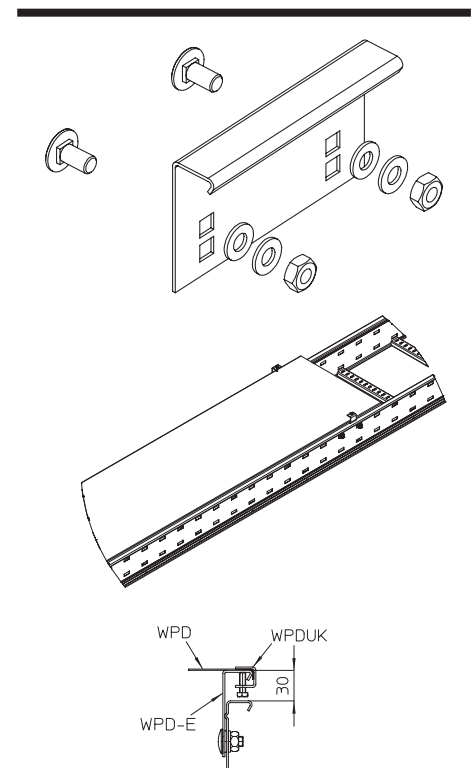
Cover clamp with screw head for mounting wide span covers on the underside for a flat appearance. Can also be used as storm protection angle. According to assembly instructions you should use at least 6 safety elements for each 3 meters cable path cover. For wind-exposed areas, the number of cover clamps must be increased to at least 10 pcs. For horizontal mounting, vertical mounting only in consultation with our engineer.

article number	H mm	B mm	L mm	t mm	M Nm	G kg
F						
WPDUK F	22	20	21	3.00	2 Nm	0.02
accessories included:						
1x SES 6X20E	hexagon head bolt, DIN 933		(page D45)			
E						
WPDUK E	22	20	21	3.00	2	0.02
accessories included:						
1x SES 6X20E	hexagon head bolt, DIN 933		(page D45)			
E4						
WPDUK E4	22	20	21	3.00	2	0.02
accessories included:						
1x SES 6X20E	hexagon head bolt, DIN 933		(page D45)			



WPD-E elevation

article number	G kg
F	
WPD-E-HDG	0.34
accessories included:	
2 x KLS 10x20-HDG	fixing set (page D42)
2 x UVS M10-PE	captive washer (page D48)
E	
WPD-E-304	0.36
accessories included:	
2 x KLS 10x20-304	fixing set (page D42)
2 x UVS M10-PE	captive washer (page D48)
E4	
WPD-E-316	0.37
accessories included:	
2 x KLS 10x20-316	fixing set (page D42)
2 x UVS M10-PE	captive washer (page D48)



Wide-span systems

Cover

WPHBCO wide-span bend cover

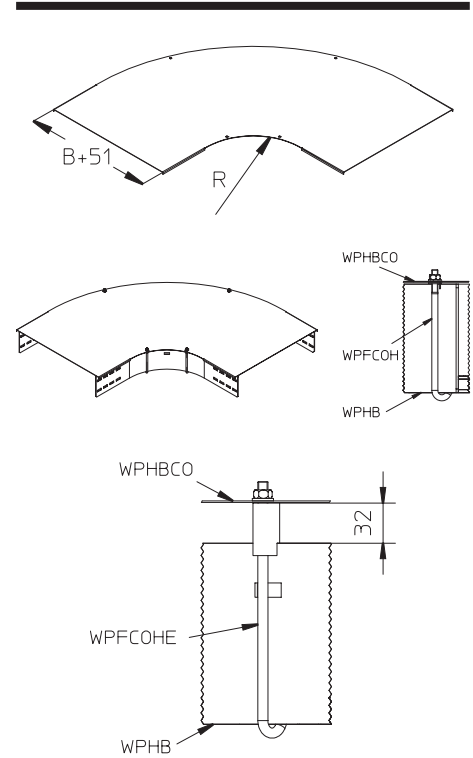
In our additional information is explained which amount of fitting cover hook clips you need. The following angles are available on request: 30 °, 45 °, 60 °. The following radii are available on request: 300 mm, 600 mm, 900 mm.

article number	H mm	angle	R mm	G kg
F				
WPHBCO20-90-45-HDG	200	90	450	2.24
WPHBCO30-90-45-HDG	300	90	450	4.36
WPHBCO40-90-45-HDG	400	90	450	5.88
WPHBCO45-90-45-HDG	450	90	450	6.28
WPHBCO50-90-45-HDG	500	90	450	9.40
WPHBCO60-90-45-HDG	600	90	450	11.62
WPHBCO70-90-45-HDG	700	90	450	16.80
WPHBCO75-90-45-HDG	750	90	450	18.31
WPHBCO80-90-45-HDG	800	90	450	19.86
WPHBCO90-90-45-HDG	900	90	450	23.12
WPHBCO100-90-45-HDG	1000	90	450	26.58
E				
WPHBCO20-90-45-304	200	90	450	2.09
WPHBCO30-90-45-304	300	90	450	4.07
WPHBCO40-90-45-304	400	90	450	5.50
WPHBCO45-90-45-304	450	90	450	6.28
WPHBCO50-90-45-304	500	90	450	8.79
WPHBCO60-90-45-304	600	90	450	10.86
WPHBCO70-90-45-304	700	90	450	16.80
WPHBCO75-90-45-304	750	90	450	18.31
WPHBCO80-90-45-304	800	90	450	19.86
WPHBCO90-90-45-304	900	90	450	23.12
WPHBCO100-90-45-304	1000	90	450	26.58
E4				
WPHBCO20-90-45-316	200	90	450	2.09
WPHBCO30-90-45-316	300	90	450	4.07
WPHBCO40-90-45-316	400	90	450	5.50
WPHBCO45-90-45-316	450	90	450	6.28
WPHBCO50-90-45-316	500	90	450	8.79
WPHBCO60-90-45-316	600	90	450	10.86
WPHBCO70-90-45-316	700	90	450	16.80
WPHBCO75-90-45-316	750	90	450	18.31
WPHBCO80-90-45-316	800	90	450	19.86
WPHBCO90-90-45-316	900	90	450	23.12
WPHBCO100-90-45-316	1000	90	450	26.58

accessories optional:

WPFCOH fitting cover hook clip

(page D25)



Wide-span systems

Cover

WPFCOH fitting cover hook clip

article number	L mm	G kg
E		
WPFCOH06-304	60	0.04
WPFCOH10-304	100	0.07
WPFCOH15-304	150	0.09

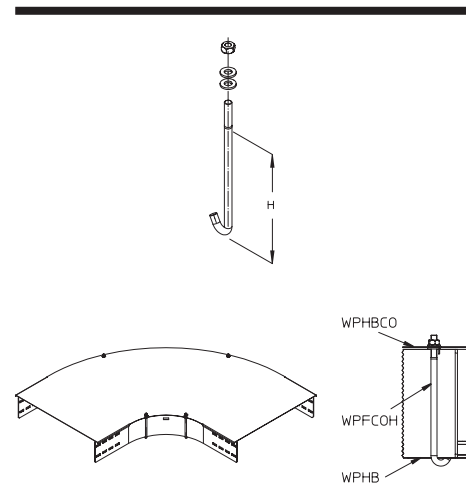
accessories included:

2 x **US 8X17-304** square washer (page D47)
 1 x **SEM 8-304** hexagon-nut, DIN 934 (page D46)

E4		
WPFCOH10-316	100	0.07
WPFCOH15-316	150	0.09

accessories included:

2 x **US 8X17-316** square washer (page D47)
 1 x **SEM 8-316** hexagon-nut, DIN 934 (page D46)



WPFCOHE fitting cover hook clip

article number	L mm	G kg
E		
WPFCOHE10-304	100	0.11
WPFCOHE15-304	150	0.13

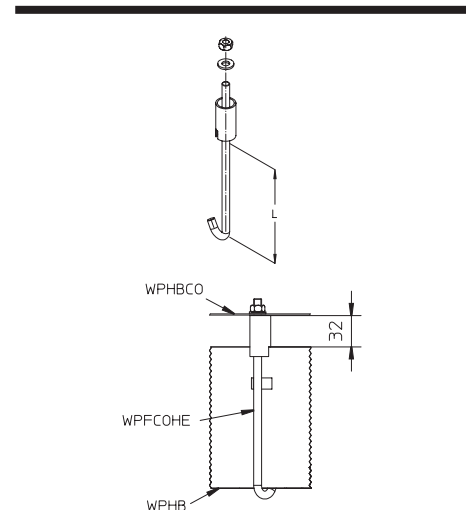
accessories included:

1 x **US 8X17-304** square washer (page D47)
 1 x **SEM 8-304** hexagon-nut, DIN 934 (page D46)

E4		
WPFCOHE10-316	100	0.11
WPFCOHE15-316	150	0.13

accessories included:

1 x **US 8X17-316** square washer (page D47)
 1 x **SEM 8-316** hexagon-nut, DIN 934 (page D46)



Wide-span systems

Cover

WPIRCO wide-span inside riser cover

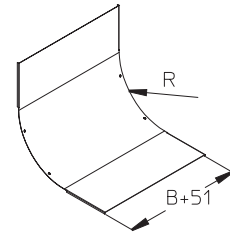
If the cover is to be mounted elevated. This must be mentioned separately in your order. e.g. WPIRCOE. In our additional information is explained which amount of fitting cover hook clips you need. The following angles are available on request: 30 °, 45 °, 60 °. The following radii are available on request: 300 mm, 600 mm, 900 mm.

article number	B mm	angle	R mm	G kg
F				
WPIRCO20-90-45-HDG	200	90	450	2.04
WPIRCO30-90-45-HDG	300	90	450	3.75
WPIRCO40-90-45-HDG	400	90	450	4.79
WPIRCO45-90-45-HDG	450	90	450	6.64
WPIRCO50-90-45-HDG	500	90	450	7.29
WPIRCO60-90-45-HDG	600	90	450	8.59
WPIRCO70-90-45-HDG	700	90	450	11.87
WPIRCO75-90-45-HDG	750	90	450	12.64
WPIRCO80-90-45-HDG	800	90	450	13.42
WPIRCO90-90-45-HDG	900	90	450	14.98
WPIRCO100-90-45-HDG	1000	90	450	15.30
E				
WPIRCO20-90-45-304	200	90	450	1.91
WPIRCO30-90-45-304	300	90	450	3.50
WPIRCO40-90-45-304	400	90	450	4.48
WPIRCO45-90-45-304	450	90	450	6.64
WPIRCO50-90-45-304	500	90	450	6.81
WPIRCO60-90-45-304	600	90	450	8.03
WPIRCO70-90-45-304	700	90	450	11.87
WPIRCO75-90-45-304	750	90	450	12.64
WPIRCO80-90-45-304	800	90	450	13.42
WPIRCO90-90-45-304	900	90	450	14.98
WPIRCO100-90-45-304	1000	90	450	15.30
E4				
WPIRCO20-90-45-316	200	90	450	2.03
WPIRCO30-90-45-316	300	90	450	3.50
WPIRCO40-90-45-316	400	90	450	4.52
WPIRCO45-90-45-316	450	90	450	6.64
WPIRCO50-90-45-316	500	90	450	6.81
WPIRCO60-90-45-316	600	90	450	8.03
WPIRCO70-90-45-316	700	90	450	11.87
WPIRCO75-90-45-316	750	90	450	12.64
WPIRCO80-90-45-316	800	90	450	13.42
WPIRCO90-90-45-316	900	90	450	14.98
WPIRCO100-90-45-316	1000	90	450	15.30

accessories optional:

WPFCOH

(page D25)



Wide-span systems

Cover

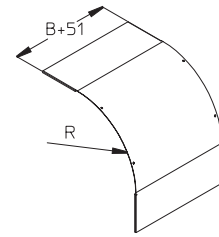
WPORCO Wide-span outside riser cover

If the cover is to be mounted elevated, this must be mentioned separately in your order, e.g. WPORCOE In our additional information is explained which amount of fitting cover hook clips you need. The following angles are available on request: 30°, 45°, 60°. The following radii are available on request: 300 mm, 600 mm, 900 mm.

article number	B mm	angle	R mm	G kg
F				
WPORCO20-90-45-HDG	200	90	450	2.40
WPORCO30-90-45-HDG	300	90	450	4.43
WPORCO40-90-45-HDG	400	90	450	5.66
WPORCO45-90-45-HDG	450	90	450	7.85
WPORCO50-90-45-HDG	500	90	450	8.62
WPORCO60-90-45-HDG	600	90	450	10.16
WPORCO70-90-45-HDG	700	90	450	14.03
WPORCO75-90-45-HDG	750	90	450	14.95
WPORCO80-90-45-HDG	800	90	450	15.88
WPORCO90-90-45-HDG	900	90	450	17.72
WPORCO100-90-45-HDG	1000	90	450	19.57
E				
WPORCO20-90-45-304	200	90	450	2.41
WPORCO30-90-45-304	300	90	450	4.17
WPORCO40-90-45-304	400	90	450	5.33
WPORCO45-90-45-304	450	90	450	7.85
WPORCO50-90-45-304	500	90	450	8.11
WPORCO60-90-45-304	600	90	450	9.55
WPORCO70-90-45-304	700	90	450	14.03
WPORCO75-90-45-304	750	90	450	14.95
WPORCO80-90-45-304	800	90	450	15.88
WPORCO90-90-45-304	900	90	450	17.72
WPORCO100-90-45-304	1000	90	450	19.57
E4				
WPORCO20-90-45-316	200	90	450	2.41
WPORCO30-90-45-316	300	90	450	4.17
WPORCO40-90-45-316	400	90	450	5.33
WPORCO45-90-45-316	450	90	450	7.85
WPORCO50-90-45-316	500	90	450	8.11
WPORCO60-90-45-316	600	90	450	9.55
WPORCO70-90-45-316	700	90	450	14.03
WPORCO75-90-45-316	750	90	450	14.95
WPORCO80-90-45-316	800	90	450	15.88
WPORCO90-90-45-316	900	90	450	17.72
WPORCO100-90-45-316	1000	90	450	19.57

accessories optional:
WPFCH

(page D25)



D

Wide-span systems

Cover

WPCPCO wide-span crossing cover

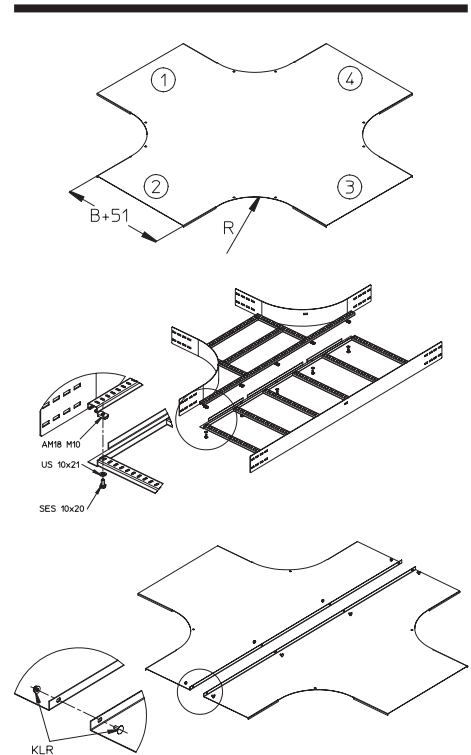
Dissymmetric covers on request. Covers with higher width/radius are delivered as two resp. four pieces including coupling bolts. In our additional information is explained which amount of fitting cover hook clips you need. The following radii are available on request: 300 mm, 600 mm, 900 mm.

article number	B mm	R mm	G kg
F			
WPCPCO20-45-HDG	200	450	5.82
WPCPCO30-45-HDG	300	450	10.59
WPCPCO40-45-HDG	400	450	14.71
WPCPCO45-45-HDG	450	450	18.94
WPCPCO50-45-HDG	500	450	20.94
WPCPCO60-45-HDG	600	450	25.11
WPCPCO70-45-HDG	700	450	35.39
WPCPCO75-45-HDG	750	450	38.11
WPCPCO80-45-HDG	800	450	40.90
WPCPCO90-45-HDG	900	450	46.65
WPCPCO100-45-HDG	1000	450	52.66
E			
WPCPCO20-45-304	200	450	5.82
WPCPCO30-45-304	300	450	10.59
WPCPCO40-45-304	400	450	14.71
WPCPCO45-45-304	450	450	18.94
WPCPCO50-45-304	500	450	20.94
WPCPCO60-45-304	600	450	25.11
WPCPCO70-45-304	700	450	35.39
WPCPCO75-45-304	750	450	38.11
WPCPCO80-45-304	800	450	40.90
WPCPCO90-45-304	900	450	46.65
WPCPCO100-45-304	1000	450	52.66
E4			
WPCPCO20-45-316	200	450	5.82
WPCPCO30-45-316	300	450	10.59
WPCPCO40-45-316	400	450	14.71
WPCPCO45-45-316	450	450	18.94
WPCPCO50-45-316	500	450	20.94
WPCPCO60-45-316	600	450	25.11
WPCPCO70-45-316	700	450	35.39
WPCPCO75-45-316	750	450	38.11
WPCPCO80-45-316	800	450	40.90
WPCPCO90-45-316	900	450	46.65
WPCPCO100-45-316	1000	450	52.66

accessories optional:

WPFCHO

(page D25)



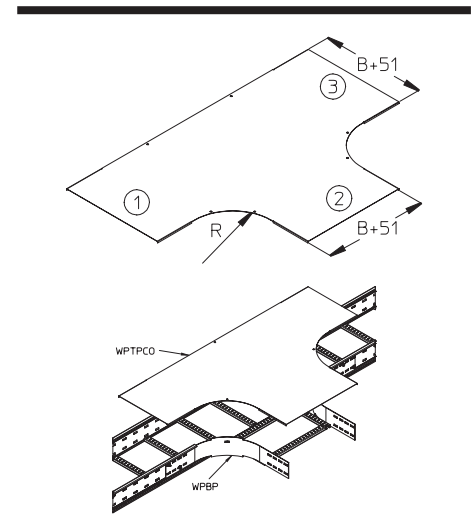
WPTPCO wide-span branch cover

Dissymmetric covers on request. Covers with higher width/radius are delivered as two pieces including coupling bolts. In our additional information is explained which amount of fitting cover hook clips you need. The following radii are available on request: 600 mm, 900 mm.

article number	B mm	R mm	G kg
F			
WPTPCO20-45-HDG	200	450	4.22
WPTPCO30-45-HDG	300	450	7.88
WPTPCO40-45-HDG	400	450	10.30
WPTPCO45-45-HDG	450	450	14.47
WPTPCO50-45-HDG	500	450	16.11
WPTPCO60-45-HDG	600	450	19.55
WPTPCO70-45-HDG	700	450	27.85
WPTPCO75-45-HDG	750	450	30.14
WPTPCO80-45-HDG	800	450	32.49
WPTPCO90-45-HDG	900	450	37.37
WPTPCO100-45-HDG	1000	450	42.51
E			
WPTPCO20-45-304	200	450	3.94
WPTPCO30-45-304	300	450	7.36
WPTPCO40-45-304	400	450	9.63
WPTPCO45-45-304	450	450	14.47
WPTPCO50-45-304	500	450	15.06
WPTPCO60-45-304	600	450	18.72
WPTPCO70-45-304	700	450	27.85
WPTPCO75-45-304	750	450	30.14
WPTPCO80-45-304	800	450	32.49
WPTPCO90-45-304	900	450	37.37
WPTPCO100-45-304	1000	450	42.51
E4			
WPTPCO20-45-316	200	450	3.94
WPTPCO30-45-316	300	450	7.36
WPTPCO40-45-316	400	450	9.63
WPTPCO45-45-316	450	450	14.47
WPTPCO50-45-316	500	450	15.06
WPTPCO60-45-316	600	450	18.72
WPTPCO70-45-316	700	450	27.85
WPTPCO75-45-316	750	450	30.14
WPTPCO80-45-316	800	450	32.49
WPTPCO90-45-316	900	450	37.37
WPTPCO100-45-316	1000	450	42.51

accessories optional:
WPFCHO

(page D25)



Wide-span systems

Accessories

WPC 100 wide-span connector, height=100 mm

In order to compensate for the heat expansion one side of the connector is mounted as a loose bearing. The given torques must be observed. The other side of the connector is to be mounted as a fixed bearing. A minimum distance of 4 mm must be kept between the cable ladders. Electrical conductivity tested according to DIN EN 61537.

article number	H mm	L mm	G kg
F			
WPC10-HDG	100	400	1.03

accessories optional:

4x KLS 10X20-HDG	fixing set	(page D42)
4x FRSV 10X20-HDG	round-head screw with short square, DIN 603	(page D43)
4x US 10X21-HDG	square washer, DIN 125	(page D47)
4x SEMB 10-HDG	hexagon-nut, DIN 934	(page D46)

E			
WPC10-304	100	400	0.98

accessories optional:

4x KLS 10X20-304	fixing set	(page D42)
4x FRSV 10X20-304	round-head screw with short square, DIN 603	(page D43)
4x US 10X21-304	square washer, DIN 125	(page D47)
4x SEMB 10-304	hexagon-nut, DIN 934	(page D46)

E4			
WPC10-316	100	400	0.99

accessories optional:

4x KLS 10X20-316	fixing set	(page D42)
4x FRSV 10X20-316	round-head screw with short square, DIN 603	(page D43)
4x US 10X21-316	square washer, DIN 125	(page D47)
4x SEMB 10-316	hexagon-nut, DIN 934	(page D46)

WPC 150 wide-span connector, height=150 mm

In order to compensate for the heat expansion one side of the connector is mounted as a loose bearing. The given torques must be observed. The other side of the connector is to be mounted as a fixed bearing. A minimum distance of 4 mm must be kept between the cable ladders. Electrical conductivity tested according to DIN EN 61537.

article number	H mm	L mm	G kg
F			
WPC15-HDG	150	600	1.91

accessories optional:

4x KLS 10X20-HDG	fixing set	(page D42)
4x FRSV 10X20-HDG	round-head screw with short square, DIN 603	(page D43)
4x US 10X21-HDG	square washer, DIN 125	(page D47)
4x SEMB 10-HDG	hexagon-nut, DIN 934	(page D46)

E			
WPC15-304	150	600	1.81

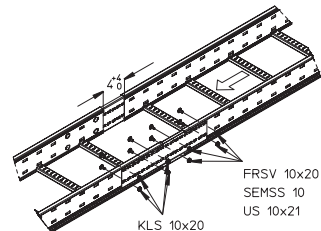
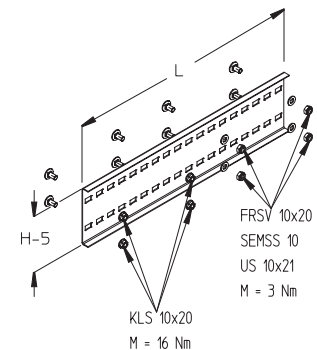
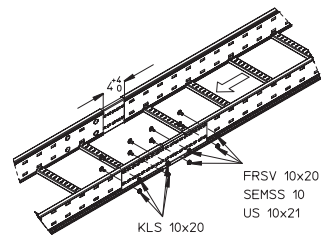
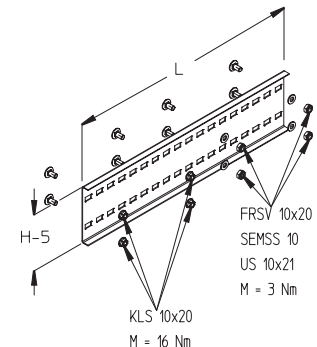
accessories optional:

4x KLS 10X20-304	fixing set	(page D42)
4x FRSV 10X20-304	round-head screw with short square, DIN 603	(page D43)
4x US 10X21-304	square washer, DIN 125	(page D47)
4x SEMB 10-304	hexagon-nut, DIN 934	(page D46)

E4			
WPC15-316	150	600	1.83

accessories optional:

4x KLS 10X20-316	fixing set	(page D42)
4x FRSV 10X20-316	round-head screw with short square, DIN 603	(page D43)
4x US 10X21-316	square washer, DIN 125	(page D47)
4x SEMB 10-316	hexagon-nut, DIN 934	(page D46)



Wide-span systems

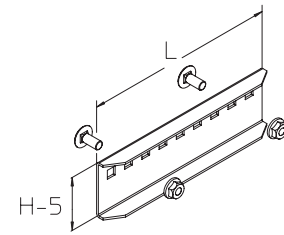
Accessories

WPC 60 wide-span connector, height=60 mm

In order to compensate for the heat expansion one side of the connector is mounted as a loose bearing. The given torques must be observed. The other side of the connector is to be mounted as a fixed bearing. A minimum distance of 4 mm must be kept between the cable ladders. Electrical conductivity tested according to DIN EN 61537.



article number	H mm	L mm	G kg
F			
WPC06-HDG	55	190	0.28



WPCH 100 wide-span connector, horizontally adjustable, height=100 mm

article number	H mm	L mm	G kg
F			
WPCH10-HDG	100	400	1.12

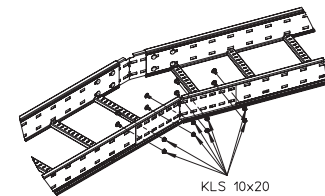
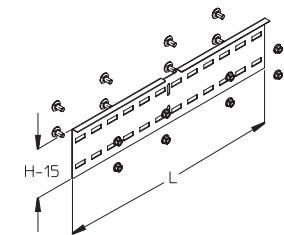
accessories included:
8x **KLS 10X20-HDG** fixing set (page D42)

E			
WPCH10-304	100	400	0.92

accessories included:
8x **KLS 10X20-304** fixing set (page D42)

E4			
WPCH10-316	100	400	0.92

accessories included:
8x **KLS 10X20-316** fixing set (page D42)

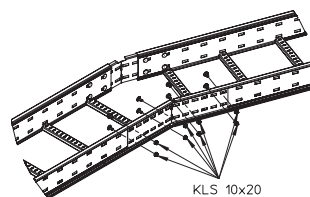
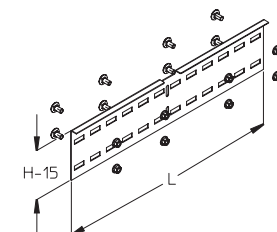


Wide-span systems

Accessories

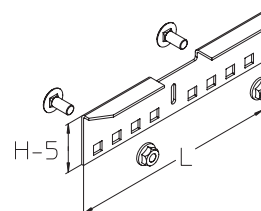
WPCH 150 wide-span connector, horizontally adjustable, height=150 mm

article number		H mm	L mm	G kg
F				
WPCH15-HDG		150	600	1.91
accessories included:				
8x KLS 10X20-HDG	fixing set		(page D42)	
E				
WPCH15-304		150	600	1.70
accessories included:				
8x KLS 10X20-304	fixing set		(page D42)	
E4				
WPCH15-316		150	600	1.72
accessories included:				
8x KLS 10X20-316	fixing set		(page D42)	



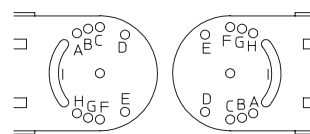
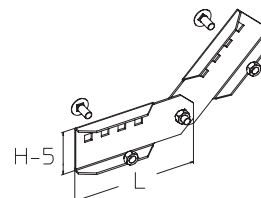
WPCH 60 wide-span connector, horizontally adjustable, height=60 mm

article number		H mm	L mm	G kg
F				
WPCH06-HDG		55	190	0.19
accessories included:				
2x KLS 8x16-304	fixing set		(page D42)	



WPCV 60 wide-span connector, vertically adjustable, height=60 mm

article number		H mm	L mm	G kg
F				
WPCV06-HDG		55	140	0.37
accessories included:				
2x KLS 10X20-304	fixing set		(page D42)	



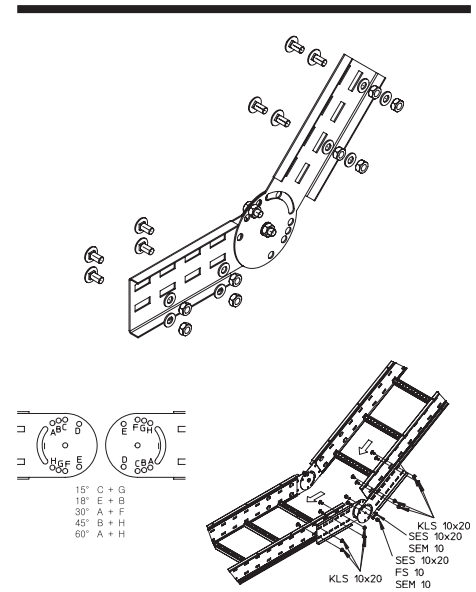
- 15° C + G
- 18° E + B
- 30° A + F
- 45° B + H
- 60° A + H

Wide-span systems

Accessories

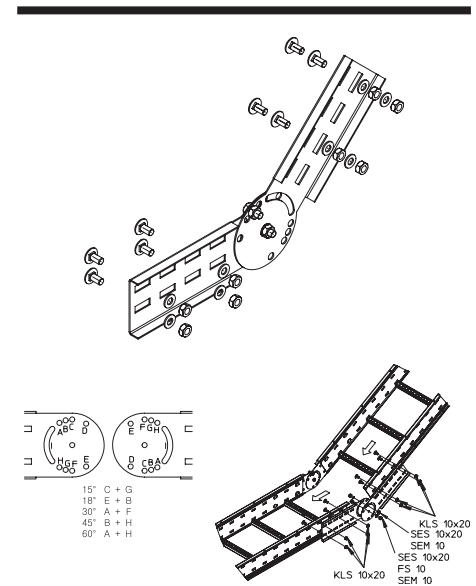
WPCV 100 wide-span connector, vertically adjustable, height=100 mm

article number		H mm	L mm	G kg
F				
WPCV10-HDG		100	253	1.49
accessories included:				
8x KLS 10X20-HDG	fixing set			(page D42)
2x SEM 10-HDG	hexagon-nut, DIN 934			(page D46)
2x SES 10X20-HDG	hexagon head bolt, DIN 933			(page D45)
1x FS 10-304	serrated lock washer			(page D47)
E				
WPCV10-304		100	253	1.56
accessories included:				
8x KLS 10X20-304	fixing set			(page D42)
2x SEM 10-304	hexagon-nut, DIN 934			(page D46)
2x SES 10X20-304	hexagon head bolt, DIN 933			(page D45)
1x FS 10-304	serrated lock washer			(page D47)
E4				
WPCV10-316		100	253	1.53
accessories included:				
8x KLS 10X20-316	fixing set			(page D42)
2x SEM 10-316	hexagon-nut, DIN 934			(page D46)
2x SES 10X20-316	hexagon head bolt, DIN 933			(page D45)
1x FS 10-316	serrated lock washer			(page D47)



WPCV 150 wide-span connector, vertically adjustable, height=150 mm

article number		H mm	L mm	G kg
F				
WPCV15-HDG		150	377	2.82
accessories included:				
8x KLS 10X20-HDG	fixing set			(page D42)
2x SEM 10-HDG	hexagon-nut, DIN 934			(page D46)
2x SES 10X20-HDG	hexagon head bolt, DIN 933			(page D45)
1x FS 10-304	serrated lock washer			(page D47)
E				
WPCV15-304		150	377	2.78
accessories included:				
8x KLS 10X20-304	fixing set			(page D42)
2x SEM 10-304	hexagon-nut, DIN 934			(page D46)
2x SES 10X20-304	hexagon head bolt, DIN 933			(page D45)
1x FS 10-304	serrated lock washer			(page D47)
E4				
WPCV15-316		150	377	2.85
accessories included:				
8x KLS 10X20-316	fixing set			(page D42)
2x SEM 10-316	hexagon-nut, DIN 934			(page D46)
2x SES 10X20-316	hexagon head bolt, DIN 933			(page D45)
1x FS 10-316	serrated lock washer			(page D47)

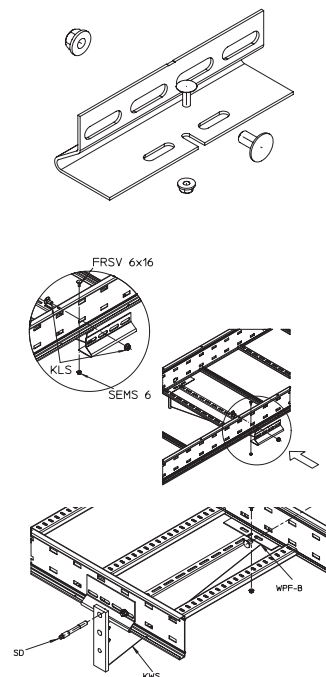


Wide-span systems

Accessories

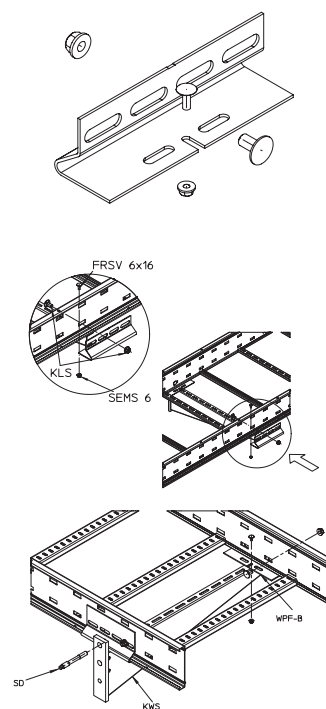
WPF-B flange mounting clamp (brackets)

article number		G
		kg
F		
WPF-B-HDG		0.51
accessories included:		
1x KLS 10X20-HDG	fixing set	(page D42)
1x FRSV 6X16-304	round-head screw with short square, DIN 603	(page D43)
1x SEMS 6-304	hexagon nut with flange, DIN EN 1661	(page D46)
E		
WPF-B-304		0.50
accessories included:		
1x KLS 10X20-304	fixing set	(page D42)
1x FRSV 6X16-304	round-head screw with short square, DIN 603	(page D43)
1x SEMS 6-304	hexagon nut with flange, DIN EN 1661	(page D46)
E4		
WPF-B-316		0.50
accessories included:		
1x KLS 10X20-316	fixing set	(page D42)
1x FKS 6X16-316	slotted cylinder head screw, DIN EN ISO 1580	(page D43)
1x SEM 6-316	hexagon-nut, DIN 934	(page D46)
1x US 6X12-316	square washer, DIN 125	(page D47)



WPF-B 60 flange mounting clamp (brackets)

article number		G
		kg
F		
WPF06-B-HDG		0.46
accessories included:		
1x KLS 8x16-304	fixing set	(page D42)
1x FRSV 6X16-304	round-head screw with short square, DIN 603	(page D43)
1x SEMS 6-304	hexagon nut with flange, DIN EN 1661	(page D46)

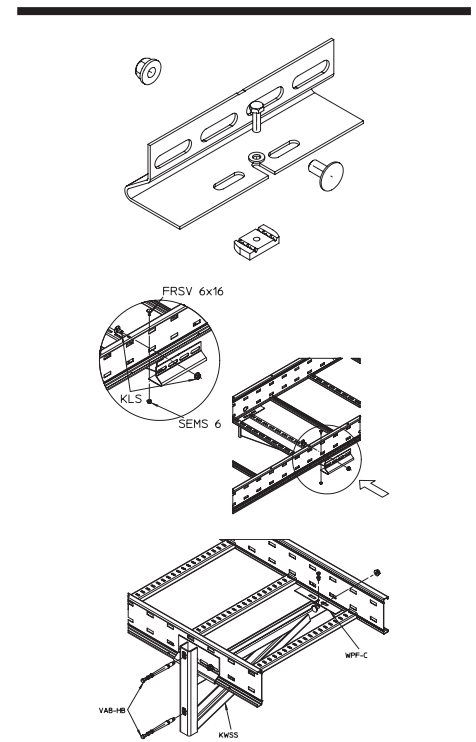


Wide-span systems

Accessories

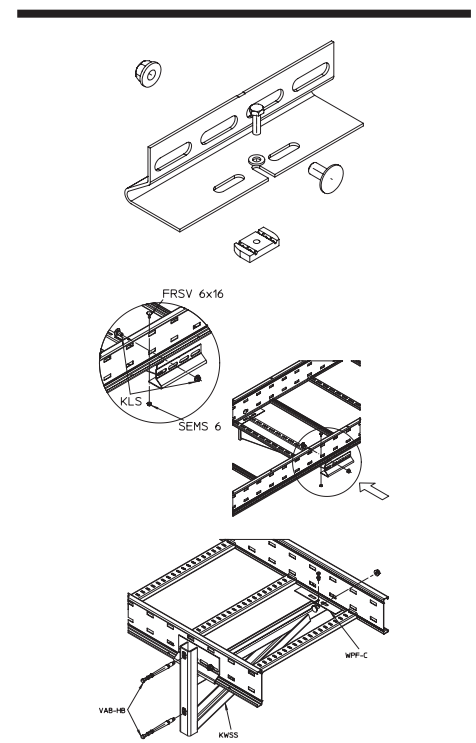
WPF-C flange mounting clamp (C-profiles)

article number		G	kg
F			
WPF-C-HDG			0.53
accessories included:			
1x KLS 10X20-HDG	fixing set	(page D42)	
1x SES 6X20-304	hexagon head bolt, DIN 933	(page D45)	
1x US 6X12-304	square washer, DIN 125	(page D47)	
1x AM22 M6-HDG	channel nut, A 41, KHA 41, KHAL 41	(page D49)	
E			
WPF-C-304			0.52
accessories included:			
1x KLS 10X20-304	fixing set	(page D42)	
1x SES 6X20-304	hexagon head bolt, DIN 933	(page D45)	
1x US 6X12-304	square washer, DIN 125	(page D47)	
1x AM22 M6-HDG	channel nut, A 41, KHA 41, KHAL 41	(page D49)	
E4			
WPF-C-316			0.52
accessories included:			
1x KLS 10X20-316	fixing set	(page D42)	
1x US 6X12-316	square washer, DIN 125	(page D47)	
1x AM22 M6-316	channel nut, A 41, KHA 41, KHAL 41	(page D49)	



WPF-C 60 flange mounting clamp (C-profiles)

article number		G	kg
F			
WPF06-C-HDG			0.50
accessories included:			
1x KLS 8x16-304	fixing set	(page D42)	
1x SES 6X20-304	hexagon head bolt, DIN 933	(page D45)	
1x US 6X12-304	square washer, DIN 125	(page D47)	
1x AM22 M6-HDG	channel nut, A 41, KHA 41, KHAL 41	(page D49)	



Wide-span systems

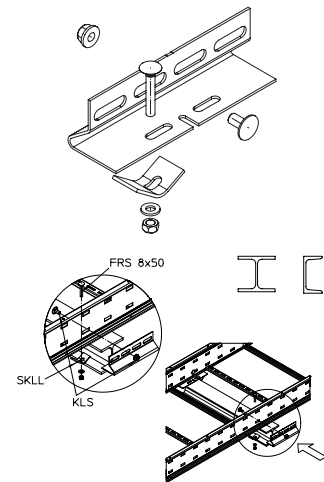
Accessories

WPF-P 60 flange mounting clamp (profiles)

article number	G	kg
F		
WPF06-P-HDG		0.59

accessories included:

1x SKLL-HDG	clamping claw	(page D49)
1x KLS 8X16-304	fixing set	(page D42)
1x SEM 8-304	hexagon-nut, DIN 934	(page D46)
1x US 8X17-304	square washer, DIN 125	(page D47)

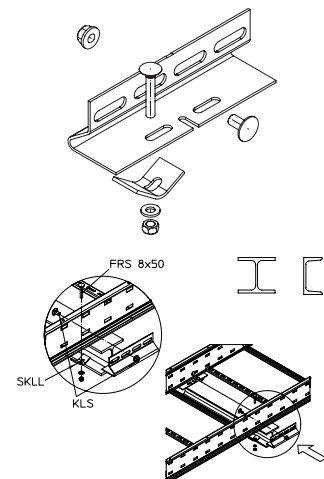


WPF-P flange mounting clamp (profiles)

article number	G	kg
F		
WPF-P-HDG		0.59

accessories included:

1x SEM 8-304	hexagon-nut, DIN 934	(page D46)
1x SKLL-HDG	clamping claw	(page D49)
1x US 8X17-304	square washer, DIN 125	(page D47)
1x KLS 10X20-HDG	fixing set	(page D42)



E		
WPF-P-304		0.58

accessories included:

1x SEM 8-304	hexagon-nut, DIN 934	(page D46)
1x SKLL-304	clamping claw	(page D49)
1x US 8X17-304	square washer, DIN 125	(page D47)
1x SEMS 10-304	hexagon nut with flange, DIN EN 1661	(page D46)
1x FRSV 10X20-304	round-head screw with short square, DIN 603	(page D43)

E4		
WPF-P-316		0.68

accessories included:

1x SKLL-316	clamping claw	(page D49)
1x KLS 10X20-316	fixing set	(page D42)
1x FRS 8X50-316	round-head screw with square, DIN 603	(page D43)
1x US 8X17-316	square washer, DIN 125	(page D47)
1x SEM 8-316	hexagon-nut, DIN 934	(page D46)

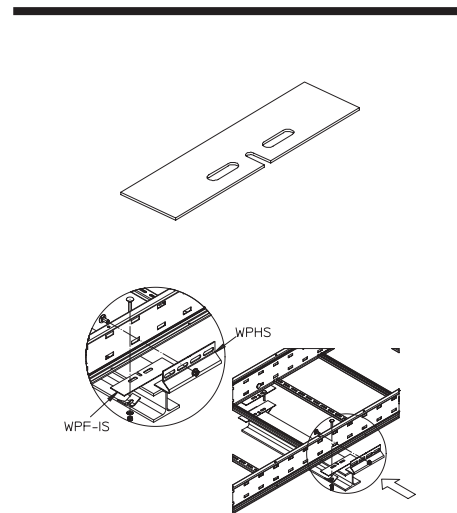
Wide-span systems

Accessories

WPF-IS isolation strip

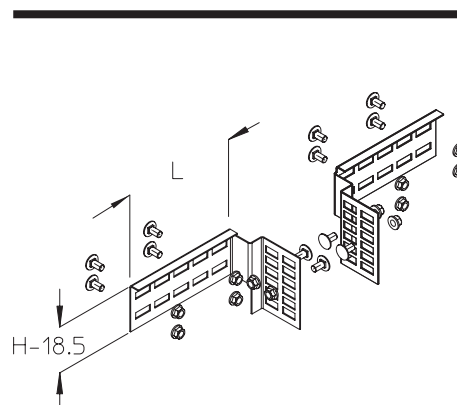
Isolation strip for galvanic isolation between cable ladders and support systems.

article number	G kg
EPDM	
WPF-IS	0.03



WPCHV 100 wide-span connector, horizontal-vertical, height=100 mm

article number	H mm	L mm	G kg
F			
WPCHV10-HDG	100	232	1.43
accessories included: 12x KLS 10X20-HDG fixing set (page D42)			
E			
WPCHV10-304	100	232	1.37
accessories included: 12x KLS 10X20-304 fixing set (page D42)			
E4			
WPCHV10-316	100	232	1.38
accessories included: 12x KLS 10X20-316 fixing set (page D42)			

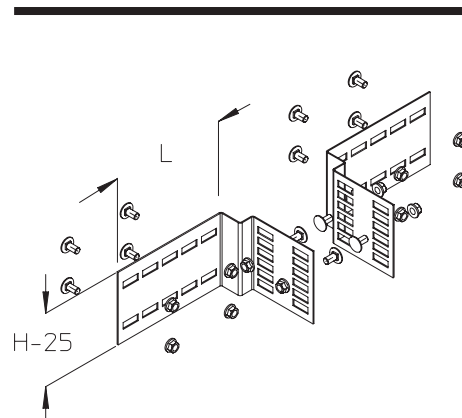


Wide-span systems

Accessories

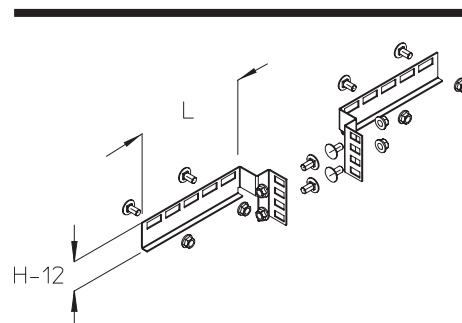
WPCHV 150 wide-span connector, horizontal-vertical, height=150 mm

article number		H mm	L mm	G kg
F				
WPCHV15-HDG		100	232	1.85
accessories included:				
12x KLS 10X20-HDG	fixing set		(page D42)	
E				
WPCHV15-304		100	232	1.76
accessories included:				
12x KLS 10X20-304	fixing set		(page D42)	
E4				
WPCHV15-316		100	232	1.78
accessories included:				
12x KLS 10X20-316	fixing set		(page D42)	



WPCHV 60 wide-span connector, horizontal-vertical, height=60 mm

article number		H mm	L mm	G kg
F				
WPCHV06-HDG		55	232	0.65
accessories included:				
3x SEM 8-304	hexagon-nut, DIN 934		(page D46)	
3x FRSV 8X16-304	round-head screw with short square, DIN 603		(page D43)	
1x FS 8-304	serrated lock washer		(page D47)	

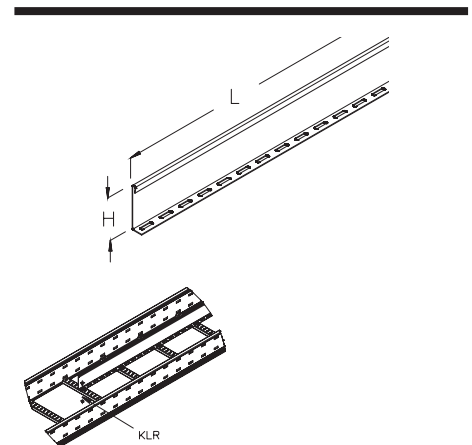


Wide-span systems

Accessories

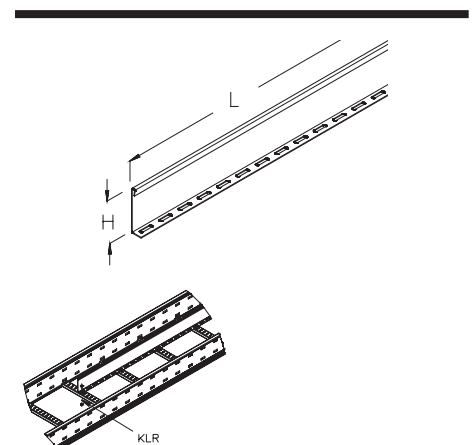
WPS 100 wide-span separating strip, height=50 mm

article number		H mm	L mm	G kg
F				
WPS10-HDG		50	3000	2,12
accessories included:				
3x FRSV 6X12-304	round-head screw with short square, DIN 603			(page D43)
3x SEMS 6-304	hexagon nut with flange, DIN EN 1661			(page D46)
E				
WPS10-304		50	3000	1,96
accessories included:				
3x FRSV 6X12-304	round-head screw with short square, DIN 603			(page D43)
3x SEMS 6-304	hexagon nut with flange, DIN EN 1661			(page D46)
E4				
WPS10-316		50	3000	1,96
accessories included:				
3x FRSV 6X12-316	round-head screw with short square, DIN 603			(page D43)
3x SEM 6-316	hexagon-nut, DIN 934			(page D46)
3x US 6X12-316	square washer, DIN 125			(page D47)



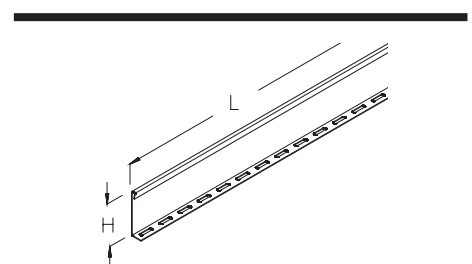
WPS 150 wide-span separating strip, height=100 mm

article number		H mm	L mm	G kg
F				
WPS15-HDG		100	3000	3,52
accessories included:				
3x FRSV 6X12-304	round-head screw with short square, DIN 603			(page D43)
3x SEMS 6-304	hexagon nut with flange, DIN EN 1661			(page D46)
E				
WPS15-304		100	3000	3,58
accessories included:				
3x FRSV 6X12-304	round-head screw with short square, DIN 603			(page D43)
3x SEMS 6-304	hexagon nut with flange, DIN EN 1661			(page D46)
E4				
WPS15-316		100	3000	3,60
accessories included:				
3x FRSV 6X12-316	round-head screw with short square, DIN 603			(page D43)
3x SEM 6-316	hexagon-nut, DIN 934			(page D46)
3x US 6X12-316	square washer, DIN 125			(page D47)



WPS 60 wide-span separating strip, height=33 mm

article number		H mm	L mm	G kg
F				
WPS06-HDG		33	3000	1.70
accessories included:				
3x FRSV 6X12-304	round-head screw with short square, DIN 603			(page D43)
3x SEMS 6-304	hexagon nut with flange, DIN EN 1661			(page D46)



Wide-span systems

Accessories

WPR reducer, height=150 mm

article number	H mm	L mm	G kg
F			
WPR15-10-HDG	150	100	1,71
WPR15-20-HDG	150	200	2,08
WPR15-30-HDG	150	300	2,44

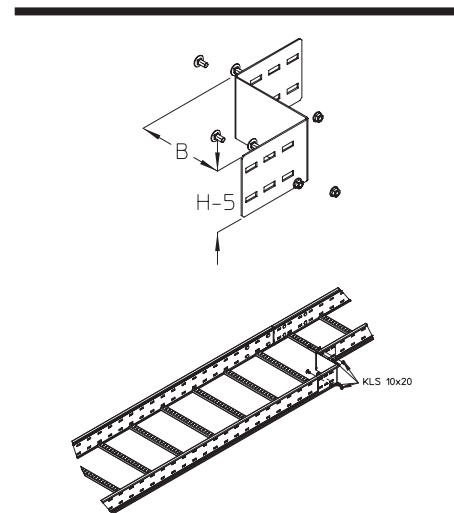
accessories included:
4x **KLS 10X20-HDG** (page D42)

E			
WPR15-10-304	150	100	1,62
WPR15-20-304	150	200	1,96
WPR15-30-304	150	300	2,30

accessories included:
4x **KLS 10X20-304** (page D42)

E4			
WPR15-10-316	150	100	1,64
WPR15-20-316	150	200	1,99
WPR15-30-316	150	300	2,33

accessories included:
4x **KLS 10X20-316** (page D42)



KPAB end plate

End plate for wide-span cable ladders. Also available in stainless steel 304 / 316.

article number	B mm	G kg
F		
KPAB 20-HDG	200	0,60
KPAB 30-HDG	300	0,88
KPAB 40-HDG	400	1,15

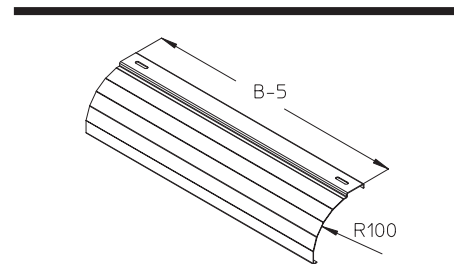
accessories included:
2x **FKS 6X10-304** slotted cylinder head screw, DIN EN ISO 1580 (page D43)
2x **AM18 M6-316** channel nut, A7/A8 (page D48)

F		
KPAB 50-HDG	500	1,43
KPAB 60-HDG	600	1,71
KPAB 70-HDG	700	1,98
KPAB 80-HDG	800	2,26

accessories included:
2x **FKS 6X10-304** slotted cylinder head screw, DIN EN ISO 1580 (page D43)
3x **AM18 M6-316** channel nut, A7/A8 (page D48)

F		
KPAB 90-HDG	900	2,54
KPAB 100-HDG	1000	2,81

accessories included:
2x **FKS 6X10-304** slotted cylinder head screw, DIN EN ISO 1580 (page D43)
4x **AM18 M6-316** channel nut, A7/A8 (page D48)

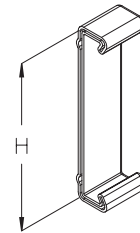


Wide-span systems

Accessories

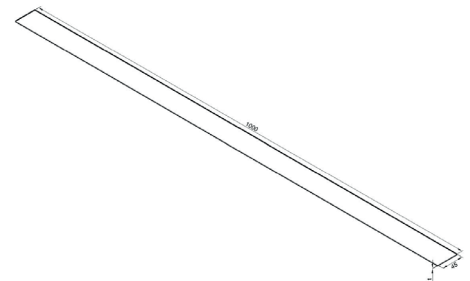
PKPEC protection end cap

article number	H mm	G kg
PE		
PKPEC 06-PE	60	0.01
PKPEC 10-PE	100	0.02
PKPEC 15-PE	150	0.03



TS isolationstrip

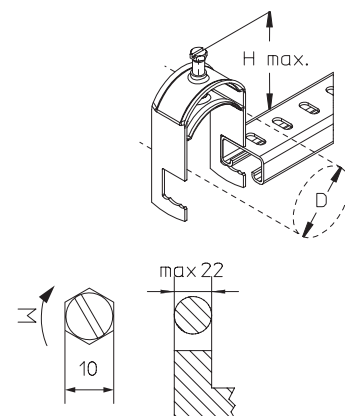
article number	B mm	L mm	t mm
TEFLON			
TS	45	1000	1



RU cable clamp for fastening to profile rails

cable clamp, hot-dip galvanized, with all-over vat made of steel, for fastening to round profiles and flat sections up to 22 mm

article number	D	H _{max}	M Nm	H mm	G kg/100
F					
14 RU-HDG	8-14	48	2	1	4.30
20 RU-HDG	14-20	54	2	1	4.90
26 RU-HDG	20-26	60	2	1	5.90
32 RU-HDG	26-32	67	2	1	9.20
38 RU-HDG	32-38	74	2	1	10.50
44 RU-HDG	38-44	82	4	1	12.00
52 RU-HDG	44-52	91	4	1	14.30
60 RU-HDG	52-60	99	4	1	16.40
70 RU-HDG	60-70	109	4	1	18.40
14/2 RU-HDG	8-14	63	2	2	5.60
20/2 RU-HDG	14-20	75	2	2	6.80
26/2 RU-HDG	20-26	88	2	2	6.80
32/2 RU-HDG	26-32	101	2	2	12.50



Wide-span systems

Accessories

KLR fixing set

For an application example, see the chapter assembly.

article number	G	kg/100
GV		
KLR		0,9

accessories included:

- 2 x **FRSV 6x12** round-head screw with short square (page D43)
 2 x **SEMS 6** hexagon nut, self-locking, DIN 6923 (page D46)

article number	G	kg/100
E		
KLR E		0,9

accessories included:

- 2 x **FRSV 6x12E** round-head screw with short square (page D43)
 2 x **SEMS 6E** hexagon nut, self-locking, DIN 6923 (page D46)

article number	G	kg/100
GV		
KLR 6x25		1,4

accessories included:

- 2 x **FRS 6x25** round-head screw with square, DIN 603 (page D43)
 2 x **SEMS 6** hexagon nut, self-locking, DIN 6923 (page D46)

article number	G	kg/100
E		
KLR 6x25E		1,4

accessories included:

- 2 x **FRS 6x25E** round-head screw with square, DIN 603 (page D43)
 2 x **SEMS 6E** hexagon nut, self-locking, DIN 6923 (page D46)

accessories optional:

- FRSV** round-head screw with short square (page D43)
FRS round-head screw with square, DIN 603 (page D43)
SEMS hexagon nut, self-locking, DIN 6923 (page D46)

KLS fixing set

For an application example, see the chapter assembly.

article number	Ø	L	G
	mm	mm	kg/100
GV			
KLS 8x16	8	16	1,8

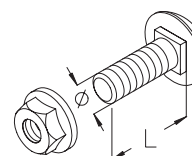
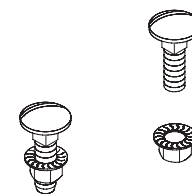
accessories included:

- 1 x **FRSV 8x16** round-head screw with short square (page D43)
 1 x **SEMS 8** hexagon nut, self-locking, DIN 6923 (page D46)

article number	Ø	L	G
	mm	mm	kg/100
GV			
KLS 8x25	8	25	2,2

accessories included:

- 1 x **FRS 8x25** round-head screw with square, DIN 603 (page D43)
 1 x **SEMS 8** hexagon nut, self-locking, DIN 6923 (page D46)



Wide-span systems

Accessories

KLS fixing set

For an application example, see the chapter assembly.

article number	Ø mm	L mm	G kg/100
GV			
KLS 10x20	10	20	3,9

accessories included:

1 x FRSV 10x20	round-head screw with short square	(page D43)
1 x SEMS 10	hexagon nut, self-locking, DIN 6923	(page D46)

article number	Ø mm	L mm	G kg/100
F			
KLS 10x20F	10	20	4

accessories included:

1 x FRSV 10x20F	round-head screw with short square	(page D43)
1 x SEM 10F	hexagon-nut, DIN 934	(page D46)
1 x US 10x21F	square washer, DIN 125	(page D47)

article number	Ø mm	L mm	G kg/100
E			
KLS 8x16E	8	16	1,8

accessories included:

1 x FRSV 8x16E	round-head screw with short square	(page D43)
1 x SEMS 8E	hexagon nut, self-locking, DIN 6923	(page D46)

article number	Ø mm	L mm	G kg/100
E			
KLS 8x25E	8	25	2,2

accessories included:

1 x FRS 8x25E	round-head screw with square, DIN 603	(page D43)
1 x SEMS 8E	hexagon nut, self-locking, DIN 6923	(page D46)

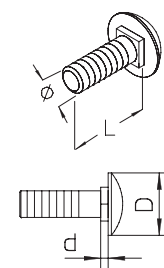
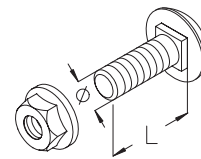
article number	Ø mm	L mm	G kg/100
E			
KLS 10x20E	10	20	3,9

accessories included:

1 x FRSV 10x20E	round-head screw with short square	(page D43)
1 x SEM 10E	hexagon-nut, DIN 934	(page D46)
1 x US 10x21E	square washer, DIN 125	(page D47)

FRSV round-head screw with short square

article number	Ø mm	D mm	d mm	L mm	G kg/100
GV					
FRSV 6x12	6	16	1,5	12	0,5
FRSV 6x16	6	16	1,5	16	0,7
FRSV 8x16	8	20	2,0	16	1,3
FRSV 10x20	10	24	2,5	20	2,3
F					
FRSV 10x20F	10	24	2,5	20	2,3



Wide-span systems

Accessories

FRSV round-head screw with short square

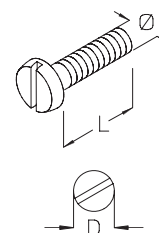
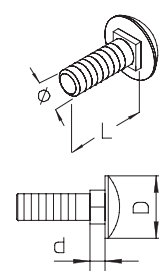
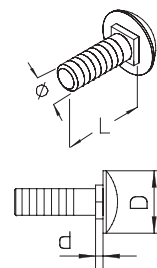
article number	Ø mm	D mm	d mm	L mm	G kg/100
E					
FRSV 6x12E	6	16	1,5	12	0,5
FRSV 6x16E	6	16	1,5	16	0,7
FRSV 8x16E	8	20	2,0	16	1,3
FRSV 10x20E	10	24	2,5	20	2,3
E4					
FRSV 6x12E4	6	16	1,5	12	0,5
FRSV 10x20E4	10	24	2,5	20	2,4

FRS round-head screw with square, DIN 603

article number	Ø mm	D mm	d mm	L mm	G kg/100
GV					
FRS 6x25	6	16	4	25	0,9
FRS 8x20	8	20	5	20	1,4
FRS 8x25	8	20	5	25	1,5
FRS 8x35	8	20	5	35	1,9
FRS 8x50	8	20	5	50	2,5
FRS 10x30	10	24	6	30	2,8
FRS 12x30	12	30	8	30	4,6
F					
FRS 10x30F	10	24	6	30	2,8
FRS 12x30F	12	30	8	30	4,6
E					
FRS 6x16E	6	16	4	16	0,7
FRS 6x20E	6	16	4	20	0,8
FRS 6x25E	6	16	4	25	0,9
FRS 8x20E	8	20	5	20	1,4
FRS 8x25E	8	20	5	25	1,5
FRS 8x35E	8	20	5	35	1,9
FRS 8x50E	8	20	5	50	2,5
FRS 10x30E	10	24	6	30	2,8
FRS 12x30E	12	30	8	30	4,6

FKS slotted cylinder head screw, DIN 84

article number	Ø mm	D mm	L mm	t mm	G kg/100
GV					
FKS 6x10	6	12	10	4	0,4
FKS 6x20	6	12	20	4	0,6
FKS 6x25	6	12	25	4	0,7
FKS 8x20	8	16	20	5	1,3
E					
FKS 6x10E	6	12	10	4	0,4
FKS 6x16E	6	12	16	4	0,4
FKS 6x20E	6	12	20	4	0,6
FKS 6x25E	6	12	25	4	0,7
E4					
FKS 6x16E4	6	12	16	4	0,4

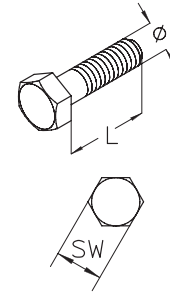


Wide-span systems

Accessories

SES hexagon head bolt, DIN 933

article number	Ø mm	L mm	SW mm	G kg/100
GV				
SES 6x16	6	16	10	0,5
SES 6x20	6	20	10	0,6
SES 6x25	6	25	10	0,7
SES 6x30	6	30	10	0,8
SES 8x16	8	16	13	1,1
SES 8x20	8	20	13	1,2
SES 8x25	8	25	13	1,4
SES 8x30	8	30	13	1,4
SES 8x40	8	40	13	1,9
SES 8x110	8	110	13	4,1
SES 10x20	10	20	17(16)	2,1
SES 10x25	10	25	17(16)	2,4
SES 10x30	10	30	17(16)	2,6
SES 10x40	10	40	17(16)	3,1
SES 10x75	10	75	17(16)	4,7
SES 10x90	10	90	17(16)	5,6
SES 10x100	10	100	17(16)	6,1
SES 12x20	12	20	19(18)	3,1
SES 12x25	12	25	19(18)	3,4
SES 12x30	12	30	19(18)	3,8
SES 12x40	12	40	19(18)	4,5
SES 12x50	12	50	19(18)	5,2
F				
SES 10x20F	10	20	17(16)	2,1
SES 10x25F	10	25	17(16)	2,4
SES 10x30F	10	30	17(16)	2,6
SES 10x55F	10	55	17(16)	3,9
SES 10x75F	10	75	17(16)	4,9
SES 10x90F	10	90	17(16)	5,6
SES 10x100F	10	100	17(16)	6,1
SES 12x20F	12	20	19(18)	3,1
SES 12x30F	12	30	19(18)	3,8
SES 12x40F	12	40	19(18)	4,5
SES 12x50F	12	50	19(18)	5,2
SES 12x70F	12	70	19(18)	6,6
E				
SES 6x16E	6	16	10	0,5
SES 8x16E	8	16	13	1,1
SES 6x20E	6	20	10	0,6
SES 8x20E	8	20	13	1,2
SES 8x25E	8	25	13	1,4
SES 8x30E	8	30	13	1,5
SES 10x20E	10	20	17	2,1
SES 10x30E	10	30	17	2,6
SES 10x75E	10	75	17(16)	4,9
SES 10x100E	10	100	17(16)	6,1
E4				
SES 8x20E4	8	20	13	1,2
SES 8x30E4	8	30	13	1,5
SES 10x20E4	10	20	17	2,1
SES 10x75E4	10	75	17(16)	4,9
SES 10x100E4	10	100	17(16)	6,1

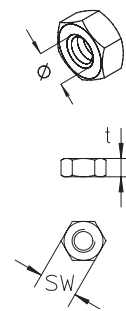


Wide-span systems

Accessories

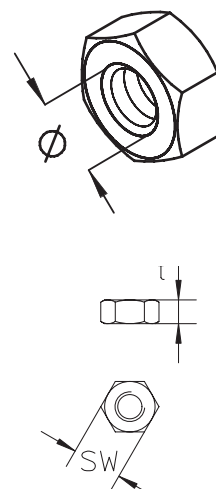
SEM hexagon-nut, DIN 934

article number	Ø mm	t mm	SW mm	G kg/100
GV				
SEM 6	6	5,0	10	0,3
SEM 8	8	6,5	13	0,5
SEM 10	10	8,0	17(15)	1,2
SEM 12	12	10,0	19(18)	1,7
F				
SEM 10F	10	8,0	17(15)	1,2
SEM 12F	12	10,0	19(18)	1,7
E				
SEM 6E	6	5,0	10	0,3
SEM 8E	8	6,5	13	0,5
SEM 10E	10	8,0	17(15)	1,2
SEM 12E	12	10,0	19(18)	1,7
E4				
SEM 6E4	6	5,0	10	0,3
SEM 8E4	8	6,5	13	0,5
SEM 10E4	10	8,0	17(15)	1,2



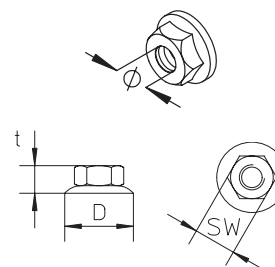
SEMB hexagon-nut, DIN 934

article number	D	Ø	T	SW	G kg/100
F					
SEMB 10-HDG	21	10	9,50	15	1.10



SEMS hexagon nut, self-locking, DIN 6923

article number	Ø mm	D mm	t mm	SW mm	G kg/100
GV					
SEMS 6	6	14	5,5	10	0,3
SEMS 8	8	17	7,5	13	0,7
SEMS 10	10	21	9,5	15	1,6
E					
SEMS 6E	6	14	5,5	10	0,3
SEMS 8E	8	17	7,5	13	0,7
SEMS 10E	10	21	9,5	15	1,6

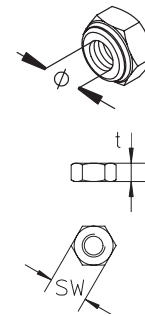


Wide-span systems

Accessories

SEMSS hexagon-nut, self-locking, DIN 985

article number	Ø mm	t mm	SW mm	G kg/100
GV				
SEMSS 6	6	6	10	0,2
SEMSS 10	10	10	17	1,1
E				
SEMSS 6E	6	6	10	0,2
SEMSS 10E	10	10	17	1,1



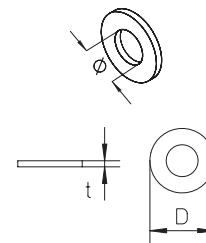
FS serrated lock washer

article number	Ø mm	D mm	G kg/100
GV			
FS 6	6,4	11,0	0,04
FS 8	8,2	14,0	0,08
FS 10	10,5	18,0	0,13
FS 12	12,5	20,5	0,17
E			
FS 6E	6,4	11,0	0,04
FS 8E	8,2	14,0	0,08
FS 10E	10,5	18,0	0,13
FS 12E	12,5	20,5	0,17



US 125 square washer, DIN 125

article number	Ø mm	D mm	t mm	G kg/100
GV				
US 6x12	6,4	12,5	1,6	0,1
US 8x17	8,4	17,0	2,0	0,2
US 10x21	10,5	21,0	2,0	0,4
US 13x24	13,0	24,0	2,5	0,6
US 17x30	17,0	30,0	3,0	1,1
F				
US 10x21F	10,5	21,0	2,0	0,4
US 13x24F	13,0	24,0	2,5	0,6
US 17x30F	17,0	30,0	3,0	1,1
E				
US 6x12E	6,4	12,5	1,5	0,1
US 8x17E	8,4	17,0	1,5	0,2
US 10x21E	10,5	21,0	0,0	0,4
US 13x24E	13,0	24,0	2,5	1,2
E4				
US 6x12E4	6,4	12,5	1,5	0,1
US 10x21E4	10,5	21,0	0,0	0,2
US 8x17E4	8,4	17,0	1,5	0,2

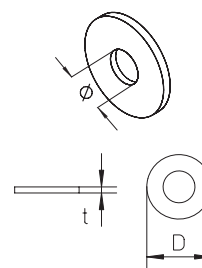


Wide-span systems

Accessories

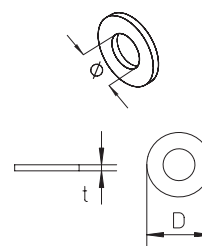
US 9021 square washer, DIN 9021

article number	Ø mm	D mm	t mm	G kg/100
GV				
US 6x18	6,4	18	1,6	0,3
US 8x25	8,4	25	2,0	0,7
US 10x30	10,5	30	2,5	1,2
US 13x40	13,0	40	3,0	2,7
F				
US 10x30F	10,5	30	2,5	1,2
US 13x40F	13,0	40	3,0	2,7
E				
US 6x18E	6,4	18	1,6	0,3
US 8x25E	8,4	25	2,0	0,7
US 10x30E	10,5	30	2,5	1,2
E4				
US 10x30E4	10,5	30	2,5	1,2



UVS captive washer

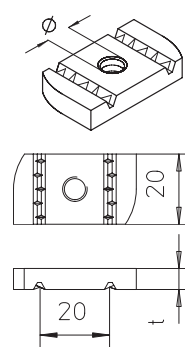
article number	Ø mm	D mm	t mm	G kg/100
PE				
UVS M6	6,0	12,5	1,30	< 0,01
UVS M8	8,0	16,2	1,65	< 0,01
UVS M10	10,5	30,0	2,10	< 0,01
UVS M10x24	10,0	24,0	2,10	< 0,01



AM18 channel nut, A7/ A8

For an application example, see the chapter assembly.

article number	Ø mm	t mm	G kg/100
GV			
AM18 M6	6	6,0	2,6
AM18 M8	8	6,0	2,4
AM18 M10	10	8,0	3,3
AM18 M12	12	9,5	4,2
F			
AM18 M6F	6	6,0	2,8
AM18 M8F	8	6,0	2,6
AM18 M10F	10	8,0	3,5
AM18 M12F	12	9,5	4,5
E4			
AM18 M6E4	6	6,0	3,0
AM18 M8E4	8	6,0	2,9
AM18 M10E4	10	8,0	3,6
AM18 M12E4	12	9,5	3,4



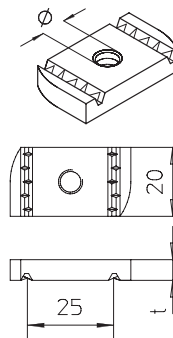
Wide-span systems

Accessories

AM22 channel nut, A41/ KHA 41/ KHAL 41

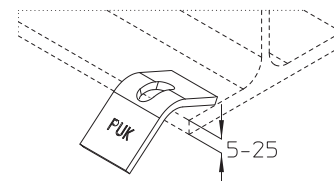
For an application example, see the chapter assembly.

article number	Ø mm	t mm	G kg/100
GV			
AM22 M6	6	6,0	2,6
AM22 M8	8	6,0	2,4
AM22 M10	10	8,0	3,3
AM22 M12	12	9,5	4,2
F			
AM22 M6F	6	6,0	2,8
AM22 M8F	8	6,0	2,6
AM22 M10F	10	8,0	3,5
AM22 M12F	12	9,0	4,2
E4			
AM22 M6E4	6	6,0	2,6
AM22 M8E4	8	6,0	2,4
AM22 M10E4	10	8,0	3,3
AM22 M12E4	12	9,5	4,2



SKLL clamping claw

article number	G kg
F	
SKLL F	0,07
E	
SKLL E	0,16



KZF cold zinc paint

For assembly instructions, see the chapter assembly.

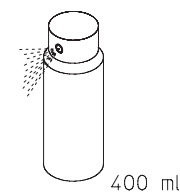
article number	I ml	G kg
KZF	750	1,93



KZS cold zinc spray

For assembly instructions, see the chapter assembly.

article number	I ml	G kg
KZS	400	0,40

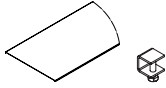


Wide-span cable ladder

Additional information

WPCO

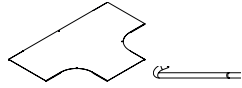
wide-span cover



B mm	per piece	
200	6	
300	6	
400	6	
450	6	
500	6	
600	4	
700	4	
750	4	
800	4	
900	4	
1000	4	

WTPCO

wide-span branch-piece cover



B mm	R [mm]			
	300	450	600	900
200	6	6	6	7
300	6	6	7	7
400	6	6	7	7
450	6	6	7	7
500	6	6	7	7
600	6	7	7	7
700	6	7	7	7
750	6	7	7	7
800	6	7	7	7
900	7	7	7	7
1000	7	7	7	7

WPCPCO

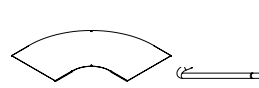
wide-span cross-piece cover



B mm	R [mm]			
	300	450	600	900
200	8	8	8	8
300	8	8	8	8
400	8	8	8	8
450	8	8	8	8
500	8	8	8	8
600	8	8	8	8
700	8	8	8	8
750	8	8	8	8
800	8	8	8	8
900	8	8	8	8
1000	8	8	8	8

WPHBCO

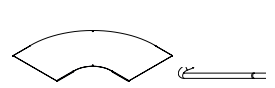
wide-span bend cover 30°



B mm	R [mm]			
	300	450	600	900
200	3	3	3	3
300	3	3	3	3
400	3	3	3	3
450	3	3	3	3
500	3	3	3	3
600	3	3	3	3
700	3	3	3	3
750	3	3	3	3
800	3	3	3	3
900	3	3	3	3
1000	3	3	3	3

WPHBCO

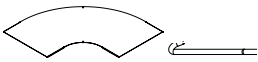
wide-span bend cover 45°



B mm	R [mm]			
	300	450	600	900
200	3	3	3	3
300	3	3	3	3
400	3	3	3	3
450	3	3	3	3
500	3	3	3	3
600	3	3	3	3
700	3	3	3	3
750	3	3	3	3
800	3	3	3	3
900	3	3	3	3
1000	3	3	3	4

WPHBCO

wide-span bend cover 60°



B mm	R [mm]			
	300	450	600	900
200	4	4	4	4
300	4	4	4	4
400	4	4	4	4
450	4	4	4	4
500	4	4	4	4
600	4	4	4	5
700	4	4	4	5
750	4	4	4	5
800	4	4	4	5
900	4	4	5	5
1000	4	5	5	5

WPHBCO

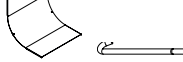
wide-span bend cover 90°



B mm	R [mm]			
	300	450	600	900
200	4	4	4	5
300	4	4	4	5
400	4	4	4	5
450	4	4	5	5
500	4	5	5	5
600	4	5	5	5
700	5	5	5	5
750	5	5	5	5
800	5	5	5	5
900	5	5	5	5
1000	5	5	5	5

WPIRCO

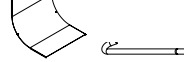
wide-span inside riser cover 30°



B mm	R [mm]			
	300	450	600	900
200	4	4	4	4
300	4	4	4	4
400	4	4	4	4
450	4	4	4	4
500	4	4	4	4
600	4	4	4	4
700	4	4	4	4
750	4	4	4	4
800	4	4	4	4
900	4	4	4	4
1000	4	4	4	4

WPIRCO

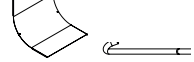
wide-span inside riser cover 45°



B mm	R [mm]			
	300	450	600	900
200	4	4	4	4
300	4	4	4	4
400	4	4	4	4
450	4	4	4	4
500	4	4	4	4
600	4	4	4	4
700	4	4	4	4
750	4	4	4	4
800	4	4	4	4
900	4	4	4	4
1000	4	4	4	4

WPIRCO

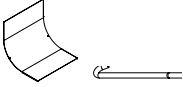
wide-span inside riser cover 60°



B mm	R [mm]			
	300	450	600	900
200	4	4	4	4
300	4	4	4	4
400	4	4	4	4
450	4	4	4	4
500	4	4	4	4
600	4	4	4	4
700	4	4	4	4
750	4	4	4	4
800	4	4	4	4
900	4	4	4	4
1000	4	4	4	4

WPIRCO

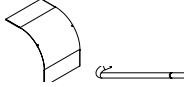
wide-span inside riser cover 90°



B mm	R [mm]			
	300	450	600	900
200	4	4	4	4
300	4	4	4	4
400	4	4	4	4
450	4	4	4	4
500	4	4	4	4
600	4	4	4	4
700	4	4	4	4
750	4	4	4	4
800	4	4	4	4
900	4	4	4	4
1000	4	4	4	4

WPORCO

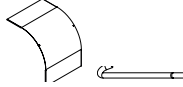
wide-span outside riser cover 30°



B mm	R [mm]			
	300	450	600	900
200	4	4	4	4
300	4	4	4	4
400	4	4	4	4
450	4	4	4	4
500	4	4	4	4
600	4	4	4	4
700	4	4	4	4
750	4	4	4	4
800	4	4	4	4
900	4	4	4	4
1000	4	4	4	4

WPORCO

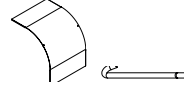
wide-span outside riser cover 45°



B mm	R [mm]			
	300	450	600	900
200	4	4	4	4
300	4	4	4	4
400	4	4	4	4
450	4	4	4	4
500	4	4	4	4
600	4	4	4	4
700	4	4	4	4
750	4	4	4	4
800	4	4	4	4
900	4	4	4	4
1000	4	4	4	4

WPORCO

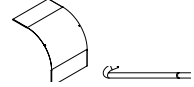
wide-span outside riser cover 60°



B mm	R [mm]			
	300	450	600	900
200	4	4	4	4
300	4	4	4	4
400	4	4	4	4
450	4	4	4	4
500	4	4	4	4
600	4	4	4	4
700	4	4	4	4
750	4	4	4	4
800	4	4	4	4
900	4	4	4	4
1000	4	4	4	4

WPORCO

wide-span outside riser cover 90°



B mm	R [mm]			
	300	450	600	900
200	4	4	4	4
300	4	4	4	4
400	4	4	4	4
450	4	4	4	4
500	4	4	4	4
600	4	4	4	4
700	4	4	4	4
750	4	4	4	4
800	4	4	4	4
900	4	4	4	4
1000	4	4	4	4



D

