



Wire-mesh Cable trays



A

Wire-mesh cable trays	A03-A06
Cover	A07-A08
Accessories	A09-A17

Numeric index

Wire-mesh Cable trays

B

BBS Bolt flush cutter 40° [A16](#)
BKST mounting clamp, vertical [A14](#)
BKWT mounting clamp, horizontal [A15](#)

D

DKO-COM Roof block for mounting Cable trays/Wire-mesh Cable trays [A17](#)

G

G 100 wire mesh cable tray [A04](#)
G 50 wire mesh cable tray [A03](#)
GBH 30 spacer bar for wire mesh tray detent dimension 30 [A15](#)
GBH 50 spacer bar for wire mesh tray detent dimension 50 [A16](#)
GD wire-mesh cable tray cover [A07](#)
GDR wire-mesh cable tray cover with bar lock [A08](#)
GD-SW wire-mesh cable tray storm protection angle [A09](#)
GH fastening hooks [A16](#)
GI wire mesh cable tray [A05](#)
GKAB drop-out plate [A14](#)
GTD 30 wire-mesh cable support W-shape [A06](#)
GTDW wire-mesh cable support G-shape [A05](#)
GTR 100 wire-mesh cable tray barrier strip [A13](#)
GTR 50 wire-mesh cable tray barrier strip [A12](#)
GTR 60 wire-mesh cable tray barrier strip [A13](#)
GV 30 wire-mesh cable tray coupler [A10](#)
GVD 30 wire-mesh cable tray coupler [A11](#)
GVK Wire-mesh cable tray coupler clamp [A12](#)
GV-L 30 wire-mesh cable tray coupler [A11](#)
GVU wire-mesh cable tray coupler [A12](#)

K

KZF cold zinc paint [A17](#)
KZS cold zinc spray [A17](#)

M

MP-G assembly plate [A10](#)
MP-G90 assembly plate 90° [A09](#)

Wire-mesh Cable trays

G 50 wire mesh cable tray , height=53 mm

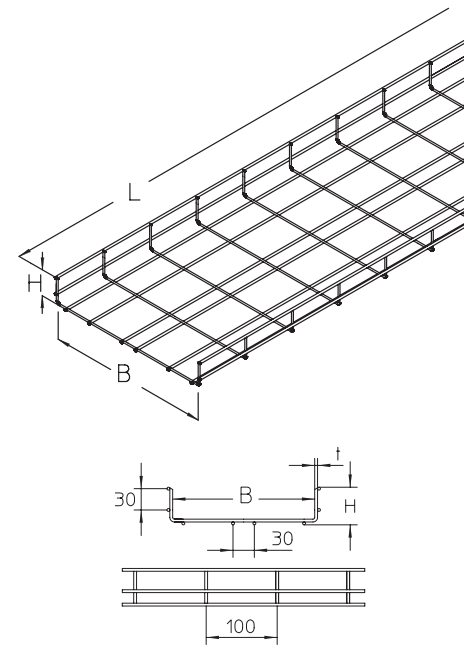
This article is also available made in stainless steel finish, material No. 1.4571 / 1.4404 (V4A).
For a load diagram, see the chapter planning.



article number	H mm	B mm	L mm	a mm	t mm	G kg
S						
G 50-10S	53	100	3000	30	4,0	2,30
G 50-20S	53	200	3000	30	4,0	3,20
G 50-30S	53	300	3000	30	4,0	4,10
G 50-40S	53	400	3000	30	4,5	6,30
G 50-50S	53	500	3000	30	4,5	7,40
G 50-60S	53	600	3000	30	4,5	8,50
F						
G 50-10F	53	100	3000	30	4,0	2,40
G 50-20F	53	200	3000	30	4,0	3,30
G 50-30F	53	300	3000	30	4,0	4,20
G 50-40F	53	400	3000	30	4,5	6,50
G 50-50F	53	500	3000	30	4,5	7,70
G 50-60F	53	600	3000	30	4,5	8,80
E						
G 50-10E	53	100	3000	30	4,0	2,30
G 50-20E	53	200	3000	30	4,0	3,20
G 50-30E	53	300	3000	30	4,0	4,10
G 50-40E	53	400	3000	30	4,5	6,30
G 50-50E	53	500	3000	30	4,5	7,40
G 50-60E	53	600	3000	30	4,5	8,50

accessories optional:

GV 30	wire-mesh cable tray coupler	(page A10)
GVD 30	wire-mesh cable tray coupler	(page A10)
GV-L 30	wire-mesh cable tray coupler	(page A11)
GVU	wire-mesh cable tray coupler	(page A12)
GVK	Wire-mesh cable tray coupler clamp	(page A12)
GTR 50	wire-mesh cable tray barrier strip	(page A12)
MP-G	assembly plate	(page A10)
KLU	fixing set	(page H07)



Wire-mesh Cable trays

G 100 wire mesh cable tray , height=103 mm

This article is also available made in stainless steel finish, material No. 1.4571 / 1.4404 (V4A).

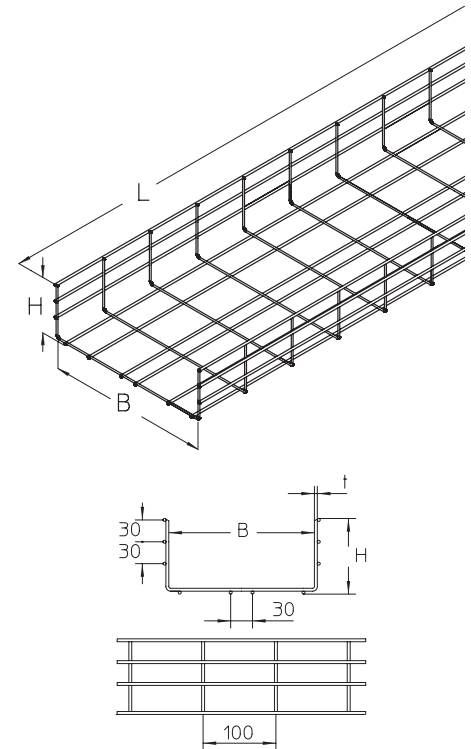
For a load diagram, see the chapter planning.

For an application example, see the chapter assembly.

article number	H mm	B mm	L mm	a mm	t mm	G kg
S						
G 100-10S	103	100	3000	30	4,0	3,20
G 100-20S	103	200	3000	30	4,0	4,10
G 100-30S	103	300	3000	30	4,5	6,30
G 100-40S	103	400	3000	30	4,5	7,40
G 100-50S	103	500	3000	30	4,5	8,50
G 100-60S	103	600	3000	30	4,5	9,60
F						
G 100-10F	103	100	3000	30	4,0	3,30
G 100-20F	103	200	3000	30	4,0	4,20
G 100-30F	103	300	3000	30	4,5	6,50
G 100-40F	103	400	3000	30	4,5	7,70
G 100-50F	103	500	3000	30	4,5	8,80
G 100-60F	103	600	3000	30	4,5	9,90
E						
G 100-10E	103	100	3000	30	4,0	3,20
G 100-20E	103	200	3000	30	4,0	4,10
G 100-30E	103	300	3000	30	4,5	6,30
G 100-40E	103	400	3000	30	4,5	7,40
G 100-50E	103	500	3000	30	4,5	8,50
G 100-60E	103	600	3000	30	4,5	9,60
E4						
G 100-10E4	103	100	3000	30	4,0	3,30
G 100-20E4	103	200	3000	30	4,0	4,20
G 100-30E4	103	300	3000	30	4,5	6,50
G 100-40E4	103	400	3000	30	4,5	7,70

accessories optional:

GV 30	wire-mesh cable tray coupler	(page A10)
GVD 30	wire-mesh cable tray coupler	(page A11)
GV-L 30	wire-mesh cable tray coupler	(page A11)
GVU	wire-mesh cable tray coupler	(page A12)
GVK	Wire-mesh cable tray coupler clamp	(page A12)
GTR 100	wire-mesh cable tray barrier strip	(page A06)
MP-G	assembly plate	(page A10)
KLU	fixing set	(page H07)



Wire-mesh Cable trays

GI wire mesh cable tray , height=60 mm

This article is also available made in stainless steel finish, material No. 1.4571 / 1.4404 (V4A).
For a load diagram, see the chapter planning.

article number	H mm	B mm	L mm	a mm	t mm	G kg
S						
GI 06S	60	60	3000	30	4,5	4,10
GI 12S	60	120	3000	30	4,5	5,20
GI 20S	60	200	3000	30	4,5	5,60
GI 30S	60	300	3000	30	4,5	6,80
F						
GI 06F	60	60	3000	30	4,5	4,40
GI 12F	60	120	3000	30	4,5	5,60
GI 20F	60	200	3000	30	4,5	6,00
GI 30F	60	300	3000	30	4,5	7,30
E						
GI 06E	60	60	3000	30	4,5	4,10
GI 12E	60	120	3000	30	4,5	5,20
GI 20E	60	200	3000	30	4,5	5,60
GI 30E	60	300	3000	30	4,5	6,90

accessories optional:

GV 30	wire-mesh cable tray coupler	(page A10)
GVD 30	wire-mesh cable tray coupler	(page A11)
GV-L 30	wire-mesh cable tray coupler	(page A11)
GVU	wire-mesh cable tray coupler	(page A12)
GVK	Wire-mesh cable tray coupler clamp	(page A12)
GTR 60	wire-mesh cable tray barrier strip	(page A13)
MP-G	assembly plate	(page A10)
KLU	fixing set	(page H07)

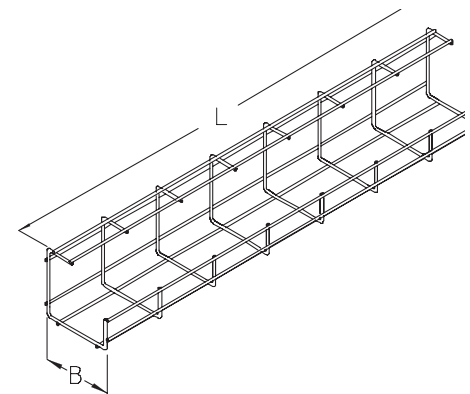
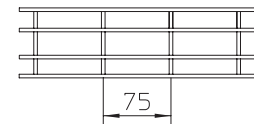
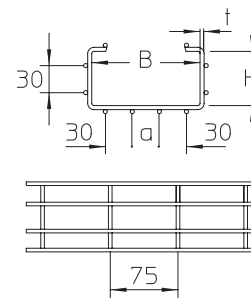
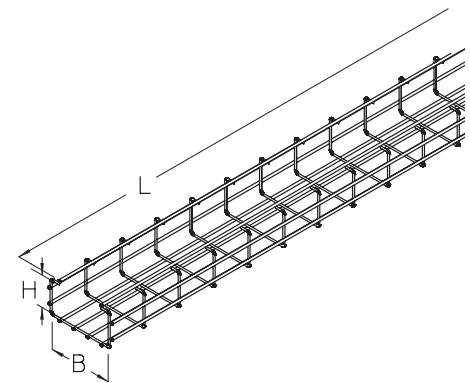
GTDW wire-mesh cable support G-shape

For an application example, see the chapter assembly.

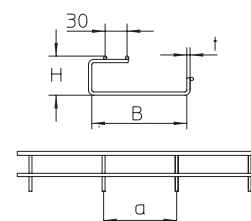
article number	H mm	B mm	L mm	a mm	t mm	G kg
S						
GTDW 8S	48	80	3000	100	4,0	2,30
GTDW 10S	99	100	3000	100	4,0	3,20
GTDW 13S	53	130	3000	200	4,5	1,70
F						
GTDW 8F	48	80	3000	100	4,0	2,40
GTDW 10F	99	100	3000	100	4,0	3,30

accessories optional:

GV 30	wire-mesh cable tray coupler	(page A10)
GVD 30	wire-mesh cable tray coupler	(page A11)
GV-L 30	wire-mesh cable tray coupler	(page A11)
GVU	wire-mesh cable tray coupler	(page A12)
GVK	Wire-mesh cable tray coupler clamp	(page A12)
MP-G	assembly plate	(page A10)
KLU	fixing set	(page H07)



$$Q_{\max} = 300 \text{ N/m} \quad (StA=1m)$$



Wire-mesh Cable trays

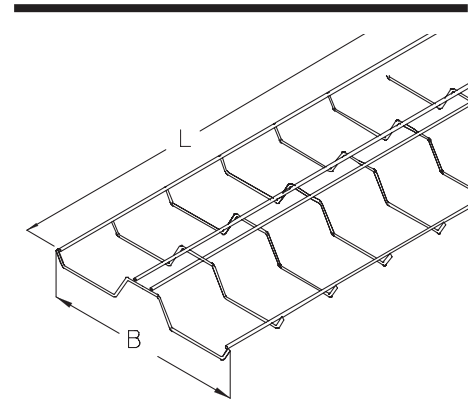
GTD 30 wire-mesh cable support W-shape

For an application example, see the chapter assembly.

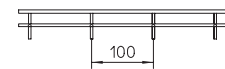
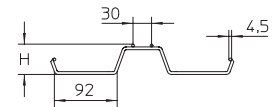
article number	H mm	B mm	L mm	G kg
S				
GTD 30S	50	300	3000	2,40
F				
GTD 30F	50	300	3000	2,50
E				
GTD 30E	50	300	3000	2,80

accessories optional:

GV-L 30	wire-mesh cable tray coupler	(page A11)
GVD 30	wire-mesh cable tray coupler	(page A11)
GVU	wire-mesh cable tray coupler	(page A12)
GVK	Wire-mesh cable tray coupler clamp	(page A09)



$$Q_{\max} = 300 \text{ N/m} \\ (S \uparrow A = 1\text{m})$$



Wire-mesh Cable trays

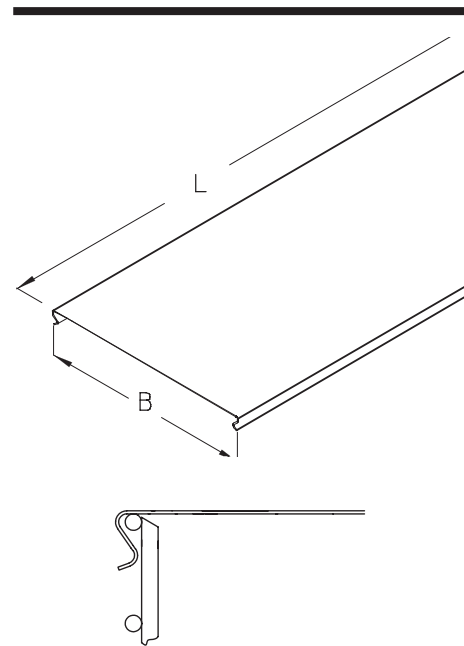
Cover



GD wire-mesh cable tray cover

Wire-mesh cable tray cover, positive locking.

article number	B mm	L mm	G kg
S			
GD 06S	60	3000	1.96
GD 10S	100	3000	2.67
GD 20S	200	3000	4.43
GD 30S	300	3000	8.27
GD 40S	400	3000	10.62
GD 50S	500	3000	16.22
GD 60S	600	3000	19.16
F			
GD 06F	60	3000	2.05
GD 10F	100	3000	2.73
GD 20F	200	3000	4.64
GD 30F	300	3000	8.69
GD 40F	400	3000	11.21
GD 50F	500	3000	17.14
GD 60F	600	3000	20.28
E			
GD 06E	60	3000	2.11
GD 10E	100	3000	2.86
GD 20E	200	3000	4.76
GD 30E	300	3000	8.32
GD 40E	400	3000	10.69
GD 50E	500	3000	16.32
GD 60E	600	3000	19.29



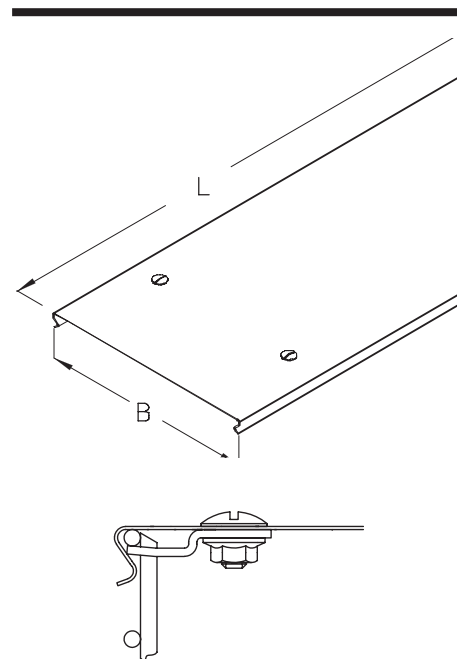
Wire-mesh Cable trays

Cover

GDR wire-mesh cable tray cover with bar lock

Wire-mesh cable tray cover, positive locking, with additional bar locks.
 Installation of covers in outdoor areas requires additional provisions against storm forces.
 Turning bolts are in no case sufficient as security provision.

article number	B mm	L mm	G kg
S			
GDR 06S	60	3000	2.17
GDR 10S	100	3000	2.40
GDR 20S	200	3000	4.15
GDR 30S	300	3000	7.90
GDR 40S	400	3000	10.25
GDR 50S	500	3000	15.73
GDR 60S	600	3000	18.67
F			
GDR 06F	60	3000	2.18
GDR 10F	100	3000	2.40
GDR 20F	200	3000	4.15
GDR 30F	300	3000	7.90
GDR 40F	400	3000	10.25
GDR 50F	500	3000	15.73
GDR 60F	600	3000	18.67
E			
GDR 06E	60	3000	2.19
GDR 10E	100	3000	2.60
GDR 20E	200	3000	4.50
GDR 30E	300	3000	7.94
GDR 40E	400	3000	10.31
GDR 50E	500	3000	15.16
GDR 60E	600	3000	18.01



Wire-mesh Cable trays

Accessories



GD-SW wire-mesh cable tray storm protection angle

Protection angle for additional securing of wire-mesh cable tray covers especially in outdoor use. Storm protection angles, suitable for outdoor use. According to assembly instructions you should use at least 6 safety elements for each 3 meters cable path cover.

article number	H mm	B mm	L mm	G kg
F				
GD-SW F	33	25	20	0.07

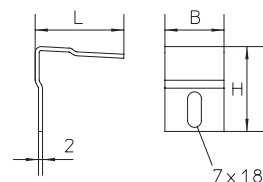
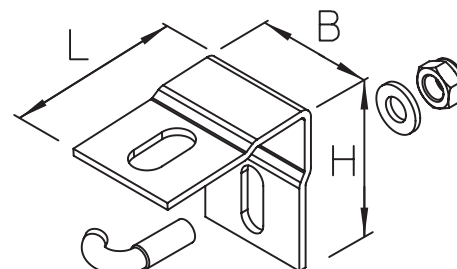
accessories included:

- 1x **US 6X12E** square washer, DIN 125 (page H39)
- 1x **SEMSS 6E** hexagon-nut, self-locking, DIN 985 (page H42)
- 1x **GH 6X24E** fastening hooks (page A16)

E				
GD-SW E	33	25	20	0.07

accessories included:

- 1x **US 6X12E** square washer, DIN 125 (page H39)
- 1x **SEMSS 6E** hexagon-nut, self-locking, DIN 985 (page H42)
- 1x **GH 6X24E** fastening hooks (page A16)



MP-G90 assembly plate 90°

Assembly plate for fixing of distribution boxes.

article number	H mm	B mm	G kg
S			
MP-G90 50S	198	120	0.16

accessories included:

- 1x **SEMS 8** hexagon nut with flange, DIN EN 1661 (page H41)
- 1x **FRSV 8X16** round-head screw with short square, DIN 603 (page H34)
- 1x **GV-L 30F** wire-mesh cable tray connector (page A11)

F			
MP-G90 50F	198	120	0.17

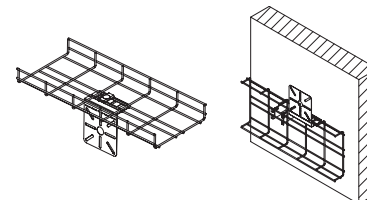
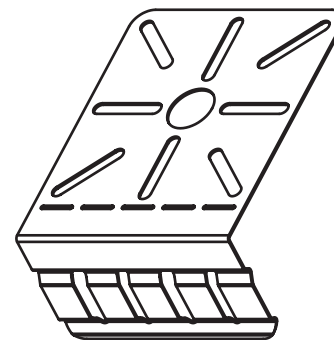
accessories included:

- 1x **SEMS 8E** hexagon nut with flange, DIN EN 1661 (page H41)
- 1x **FRSV 8X16E** round-head screw with short square, DIN 603 (page H34)
- 1x **GV-L 30F** wire-mesh cable tray connector (page A11)

E4			
MP-G90 50E4	198	120	0.16

accessories included:

- 1x **US 8X17E4** square washer, DIN 125 (page H39)
- 1x **SEM 8E4** hexagon-nut, DIN 934 (page H41)
- 1x **SES 8X20E4** hexagon head bolt, DIN 933 (page H37)
- 1x **GV-L 30E4** wire-mesh cable tray connector (page A11)



Wire-mesh Cable trays

Accessories

MP-G assembly plate

For an application example, see the chapter assembly.

article number	H mm	B mm	G kg
S			
MP-G 50S	198	120	0,16

accessories included:

1 x SEMS 8	hexagon nut, self-locking, DIN 6923	(page H41)
1 x FRSV 8x16	round-head screw with short square	(page H34)
1 x GV-L 30F	wire-mesh cable tray coupler	(page A11)

article number	H mm	B mm	G kg
F			
MP-G 50F	198	120	0,17

accessories included:

1 x SEMS 8E	hexagon nut, self-locking, DIN 6923	(page H41)
1 x FRSV 8x16E	round-head screw with short square	(page H34)
1 x GV-L 30F	wire-mesh cable tray coupler	(page A11)

article number	H mm	B mm	G kg
E4			
MP-G 50E4	198	120	0,16

accessories included:

1 x US 8x17E4	square washer, DIN 125	(page H39)
1 x SEM 8E4	hexagon-nut, DIN 934	(page H41)
1 x SES 8x20E4	hexagon head bolt, DIN 933	(page H37)
1 x GV-L 30E4	wire-mesh cable tray coupler	(page A11)

GV 30 wire-mesh cable tray coupler

For an application example, see the chapter assembly.

article number	G kg
S	
GV 30S	0,04

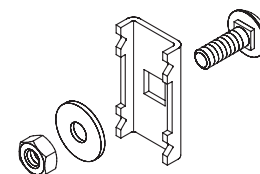
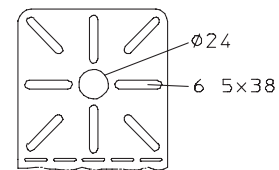
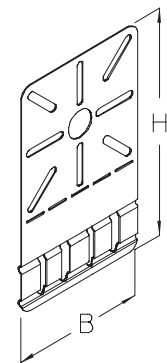
accessories included:

1 x GV-L 30F	wire-mesh cable tray coupler	(page A11)
1 x FRSV 8x16	round-head screw with short square	(page H34)
1 x SEM 8	hexagon-nut, DIN 934	(page H41)
1 x US 8x25	square washer, DIN 9021	(page H39)

article number	G kg
F	
GV 30F	0,04

accessories included:

1 x GV-L 30F	wire-mesh cable tray coupler	(page A11)
1 x FRSV 8x16E	round-head screw with short square	(page H34)
1 x SEM 8E	hexagon-nut, DIN 934	(page H41)
1 x US 8x25E	square washer, DIN 9021	(page H39)



Wire-mesh Cable trays

Accessories

GVD 30 wire-mesh cable tray coupler

For an application example, see the chapter assembly.

article number	G	kg
S		
GVD 30S		0,05

accessories included:

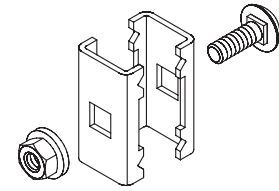
- 1 x **SEMS 8** hexagon nut, self-locking, DIN 6923 (page H41)
- 1 x **FRS 8x25** round-head screw with square, DIN 603 (page H35)
- 2 x **GV-L 30F** wire-mesh cable tray coupler (page A11)

article number	G	kg
F		
GVD 30F		0,06

E		
GVD 30E		0,05

accessories included:

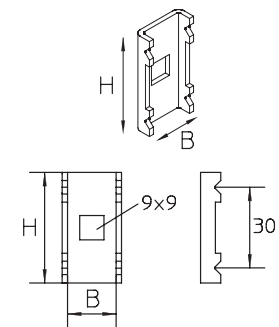
- 1 x **FRS 8x25E** round-head screw with square, DIN 603 (page H35)
- 1 x **SEMS 8E** hexagon nut, self-locking, DIN 6923 (page H41)
- 2 x **GV-L 30E** wire-mesh cable tray coupler (page A11)



GV-L 30 wire-mesh cable tray coupler

For an application example, see the chapter assembly.

article number	H	B	G
	mm	mm	kg
F			
GV-L 30F	41	18	0,02
E			
GV-L 30E	41	18	0,02
E4			
GV-L 30E4	41	18	0,02



Wire-mesh Cable trays

Accessories

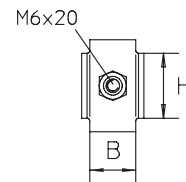
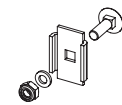
GVK Wire-mesh cable tray coupler clamp

For an application example, see the chapter assembly.

article number	H mm	B mm	G kg
F			
GVK F	24	17	0,02
E			
GVK E	24	17	0,02

accessories included:

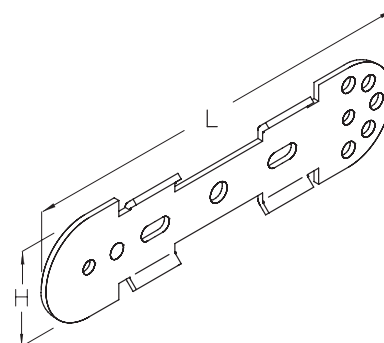
1 x **SEMSS 6E** hexagon-nut, self-locking, DIN 985 (page H42)



GVU wire-mesh cable tray coupler

For an application example, see the chapter assembly.

article number	H mm	L mm	G kg
F			
GVU F	46	185	0,13
E			
GVU E	46	185	0,10



GTR 50 wire-mesh cable tray barrier strip

For an application example, see the chapter assembly.

article number	H mm	L mm	G kg
S			
GTR 50S	33	3000	1,60

accessories included:

3 x **KLU** fixing set (page H07)

article number	H mm	L mm	G kg
F			
GTR 50F	33	3000	1,70

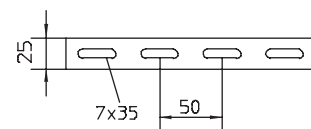
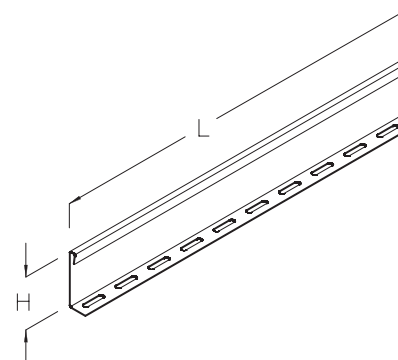
accessories included:

3 x **KLU F** fixing set (page H08)

article number	H mm	L mm	G kg
E			
GTR 50E	33	3000	1,60

accessories included:

3 x **KLU E** fixing set (page H08)



Wire-mesh Cable trays

Accessories

GTR 60 wire-mesh cable tray barrier strip

For an application example, see the chapter assembly.

article number	H mm	L mm	G kg
S			
GTR 60S	50	3000	1,90

accessories included:
3 x **KLU** fixing set (page H07)

article number	H mm	L mm	G kg
F			
GTR 60F	50	3000	2,10

accessories included:
3 x **KLU F** fixing set (page H08)

article number	H mm	L mm	G kg
E			
GTR 60E	50	3000	1,90

accessories included:
3 x **KLU E** fixing set (page H08)

GTR 100 wire-mesh cable tray barrier strip

For an application example, see the chapter assembly.

article number	H mm	L mm	G kg
S			
GTR 100S	75	3000	2,50

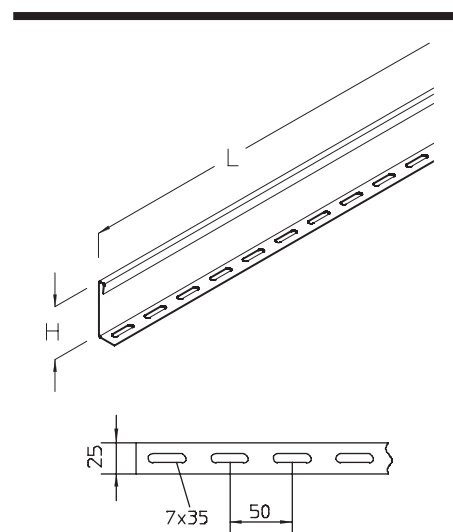
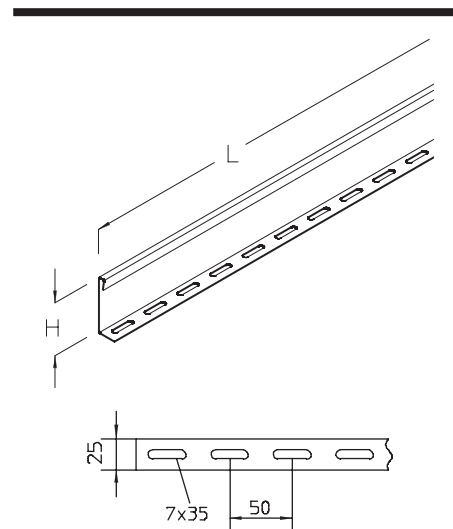
accessories included:
3 x **KLU** fixing set (page H07)

article number	H mm	L mm	G kg
F			
GTR 100F	75	3000	2,70

accessories included:
3 x **KLU F** fixing set (page H08)

article number	H mm	L mm	G kg
E			
GTR 100E	75	3000	2,70

accessories included:
3 x **KLU E** fixing set (page H08)



Wire-mesh Cable trays

Accessories

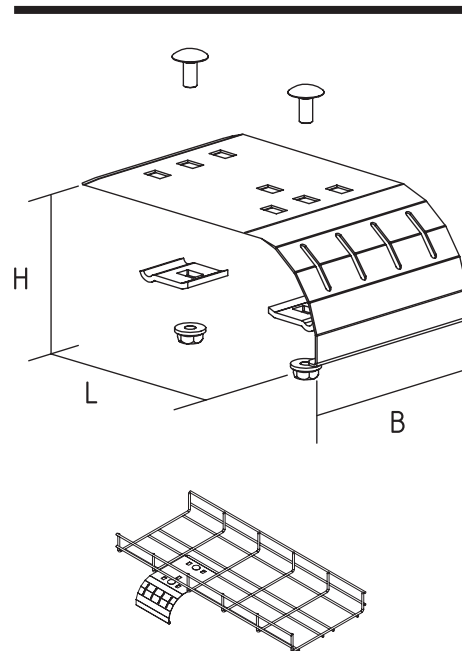
GKAB end plate

Wire mesh cable tray drop-out plate for cable-friendly vertical direction changes in wire mesh cable tray with any longitudinal or cross wire spacing of 100 mm.

article number	H mm	B mm	L mm	G kg
S				
GKAB S	54,80	94	149,60	0.18

accessories included:

2x KLU F	fixing set	(page H08)
2x FRSV 6X12	round-head screw with short square, DIN 603	(page H34)
2x SEMS 6	hexagon nut with flange, DIN EN 1661	(page H41)

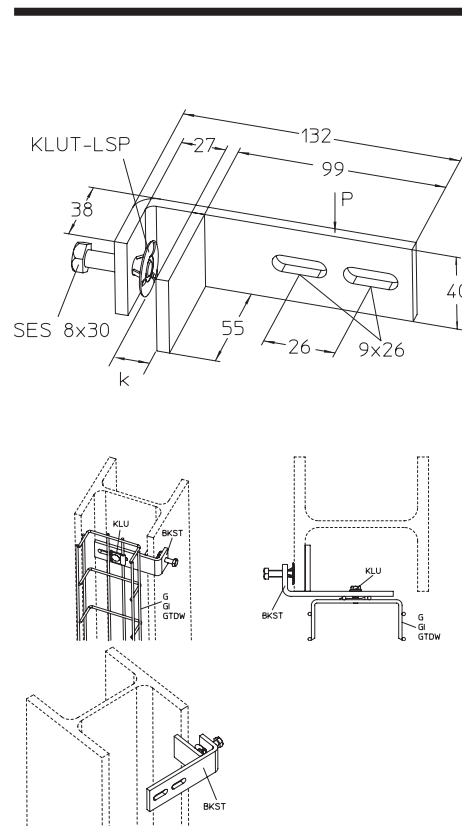


BKST mounting clamp, vertical

article number	B mm	L mm	K mm	T mm	G kg
F					
BKST 015F	40	132	15	6,00	0.44

accessories included:

1x SES 8X30F	hexagon head bolt, DIN 933	(page H37)
1x KLUT-LSP	varnish protection plat	(page H09)



Wire-mesh Cable trays

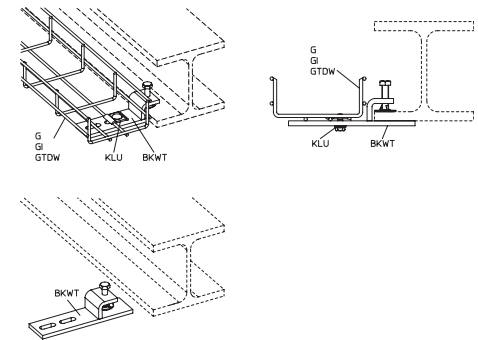
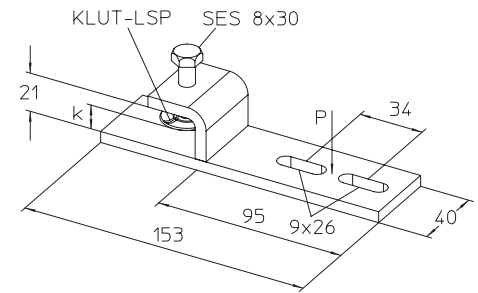
Accessories

BKWT mounting clamp, horizontal

article number	B mm	L mm	K mm	T mm	G kg
F					
BKWT 015F	40	153	15	6.00	0.44

accessories included:

1x SES 8X30F	hexagon head bolt, DIN 933	(page H37)
1x KLUT-LSP	varnish protection plat	(page H09)



GBH 30 spacer bar for wire mesh tray detent dimension 30

article number	H mm	B mm	L mm	a mm	G kg
S					
GBH 30S	45	50	100	30	0.27

accessories included:

1x GBH-SL S	spacer bar safety lug	
1x FRSV 6X12	round-head screw with short square, DIN 603	(page H34)
1x SEMS 6	hexagon nut with flange, DIN EN 1661	(page H41)

F	H mm	B mm	L mm	a mm	G kg
GBH 30F	45	50	100	30	0.25

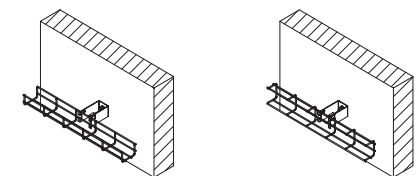
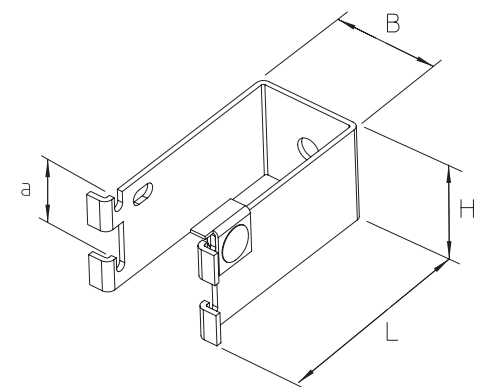
accessories included:

1x GBH-SL F	spacer bar safety lug	
1x FRSV 6X12E	round-head screw with short square, DIN 603	(page H34)
1x SEMS 6E	hexagon nut with flange, DIN EN 1661	(page H41)

E	H mm	B mm	L mm	a mm	G kg
GBH 30E	45	50	100	30	0.27

accessories included:

1x GBH-SL E	spacer bar safety lug	
1x FRSV 6X12E	round-head screw with short square, DIN 603	(page H34)
1x SEMS 6E	hexagon nut with flange, DIN EN 1661	(page H41)



Wire-mesh Cable trays

Accessories

GBH 50 spacer bar for wire mesh tray detent dimension 50

article number	H mm	B mm	L mm	a mm	G kg
S					
GBH 50S	65	50	100	50	0.37

accessories included:

1x GBH-SL S	spacer bar safety lug	
1x FRSV 6X12E	round-head screw with short square, DIN 603	(page H34)
1x SEMS 6	hexagon nut with flange, DIN EN 1661	(page H41)

F					
GBH 50F	65	50	100	50	0.34

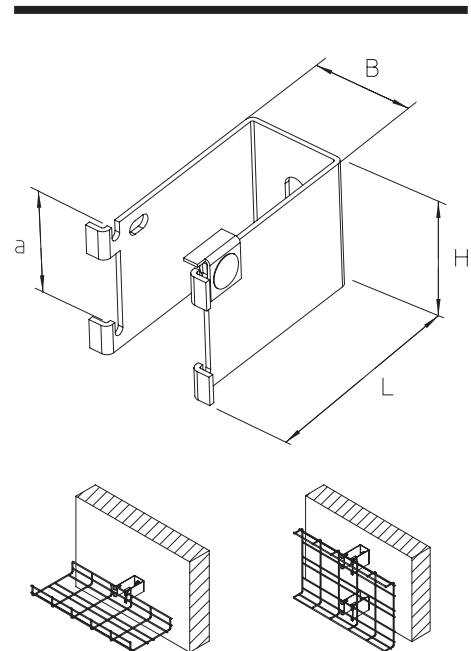
accessories included:

1x GBH-SL F	spacer bar safety lug	
1x FRSV 6X12E	round-head screw with short square, DIN 603	(page H34)
1x SEMS 6E	hexagon nut with flange, DIN EN 1661	(page H41)

E					
GBH 50E	65	50	100	50	0.37

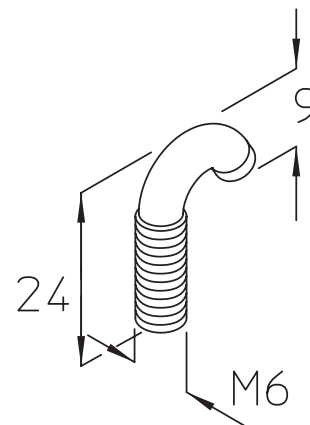
accessories included:

1x GBH-SL E	spacer bar safety lug	
1x FRSV 6X12E	round-head screw with short square, DIN 603	(page H34)
1x SEMS 6E	hexagon nut with flange, DIN EN 1661	(page H41)



GH fastening hooks

article number	G kg
E	
GH 6X24E	0.01



BBS Bolt flush cutter 40°

article number	G kg
E	
BS	1.96



Wire-mesh Cable trays

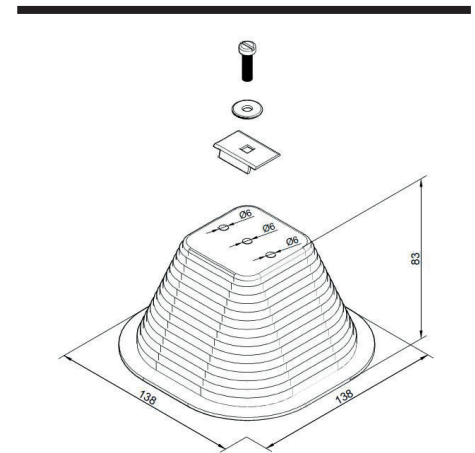
Accessories

DKO-COM Roof block for mounting Cable trays/Wire-mesh Cable trays

article number	L mm	B mm	H mm	a mm	G kg
PE					
DKO	138	138	83	30	1

accessories included:

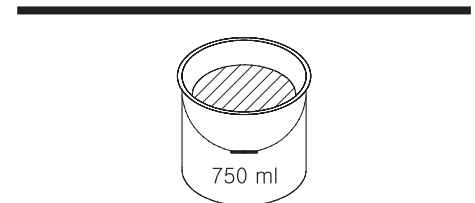
1x FKS 6x20	slotted cylinder-head screw	(page H35)
1x US 6x18	square washer, DIN 125	(page H39)
1x GVK F	Wire-mesh cable tray connector clamp	(page A12)



KZF cold zinc paint

For assembly instructions, see the chapter assembly.

article number	l ml	G kg
KZF	750	1,93



KZS cold zinc spray

For assembly instructions, see the chapter assembly.

article number	l ml	G kg
KZS	400	0,40

