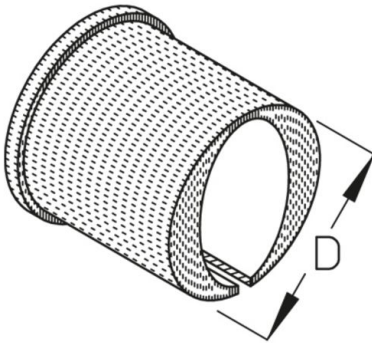


HF-EE

HF-kleinleg



Ethyleen-propyleen-rubber

Product	D	G
HF-EE 190	37 (E 190) mm	8,1 kg/100
HF-EE 150	37 (E 150) mm	8 kg/100
HF-EE 130	37 (E 130) mm	7,9 kg/100
HF-EE 105	50 (E 105) mm	10 kg/100
HF-EE 78	50 (E 78) mm	9,7 kg/100
HF-EE 70	62 (E 70) mm	15,2 kg/100
HF-EE 65	62 (E 65) mm	14,9 kg/100
HF-EE 60	62 (E 60) mm	14,8 kg/100
HF-EE 46	100 (E 46) mm	28,6 kg/100
HF-EE 38	100 (E 38) mm	30 kg/100

D: diameter
G: gewicht

DETAILS / TOEPASSINGEN



