



## KHI

consolehouder, zwaar, 80x42 mm

plafondconsolehouder, met sleuf perforering, voor consoles type KT, voor directe plafond-/wandbevestiging met BL 7/BGI

Thermisch verzinkt volgens BS 729 (DIN EN ISO 1461)

Product	H	B	L	G
KHI 02F	80 mm	42 mm	200 mm	1,1 kg
KHI 03F	80 mm	42 mm	300 mm	1,7 kg
KHI 04F	80 mm	42 mm	400 mm	2,3 kg
KHI 05F	80 mm	42 mm	500 mm	2,9 kg
KHI 06F	80 mm	42 mm	600 mm	3,5 kg
KHI 07F	80 mm	42 mm	700 mm	4,1 kg
KHI 08F	80 mm	42 mm	800 mm	4,7 kg
KHI 09F	80 mm	42 mm	900 mm	5,3 kg
KHI 10F	80 mm	42 mm	1000 mm	5,9 kg
KHI 11F	80 mm	42 mm	1100 mm	6,4 kg
KHI 12F	80 mm	42 mm	1200 mm	7,1 kg
KHI 13F	80 mm	42 mm	1300 mm	7,6 kg
KHI 14F	80 mm	42 mm	1400 mm	8,2 kg
KHI 15F	80 mm	42 mm	1500 mm	8,8 kg
KHI 16F	80 mm	42 mm	1600 mm	9,4 kg
KHI 17F	80 mm	42 mm	1700 mm	10 kg
KHI 18F	80 mm	42 mm	1800 mm	10,6 kg
KHI 19F	80 mm	42 mm	1900 mm	11,1 kg
KHI 20F	80 mm	42 mm	2000 mm	11,7 kg
KHI 21F	80 mm	42 mm	2100 mm	12,3 kg
KHI 22F	80 mm	42 mm	2200 mm	12,9 kg





Product	H	B	L	G
KHI 23F	80 mm	42 mm	2300 mm	13,5 kg
KHI 24F	80 mm	42 mm	2400 mm	14,1 kg
KHI 25F	80 mm	42 mm	2500 mm	14,6 kg
KHI 26F	80 mm	42 mm	2600 mm	15,2 kg
KHI 27F	80 mm	42 mm	2700 mm	15,8 kg
KHI 28F	80 mm	42 mm	2800 mm	16,3 kg
KHI 29F	80 mm	42 mm	2900 mm	16,9 kg
KHI 30F	80 mm	42 mm	3000 mm	17,5 kg
KHI 60F	80 mm	42 mm	6000 mm	35,1 kg

**Thermisch verzinkt volgens BS 729 (DIN EN ISO 1461)**

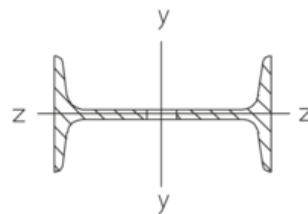
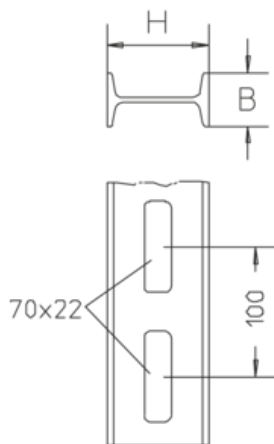
Product	H	B	L	G
KHI 200-HDG	80 mm	42 mm	200 mm	1,12 kg
KHI 300-HDG	80 mm	42 mm	300 mm	1,68 kg
KHI 400-HDG	80 mm	42 mm	400 mm	2,24 kg
KHI 500-HDG	80 mm	42 mm	500 mm	2,80 kg
KHI 600-HDG	80 mm	42 mm	600 mm	3,36 kg
KHI 700-HDG	80 mm	42 mm	700 mm	3,92 kg
KHI 800-HDG	80 mm	42 mm	800 mm	4,48 kg
KHI 900-HDG	80 mm	42 mm	900 mm	5,04 kg
KHI 1000-HDG	80 mm	42 mm	1000 mm	5,60 kg
KHI 1100-HDG	80 mm	42 mm	1100 mm	6,16 kg
KHI 1200-HDG	80 mm	42 mm	1200 mm	6,72 kg
KHI 1300-HDG	80 mm	42 mm	1300 mm	7,28 kg
KHI 1400-HDG	80 mm	42 mm	1400 mm	7,84 kg
KHI 1500-HDG	80 mm	42 mm	1500 mm	8,40 kg
KHI 1600-HDG	80 mm	42 mm	1600 mm	8,96 kg
KHI 1700-HDG	80 mm	42 mm	1700 mm	9,52 kg
KHI 1800-HDG	80 mm	42 mm	1800 mm	10,08 kg
KHI 1900-HDG	80 mm	42 mm	1900 mm	10,64 kg
KHI 2000-HDG	80 mm	42 mm	2000 mm	11,20 kg
KHI 2100-HDG	80 mm	42 mm	2100 mm	11,76 kg



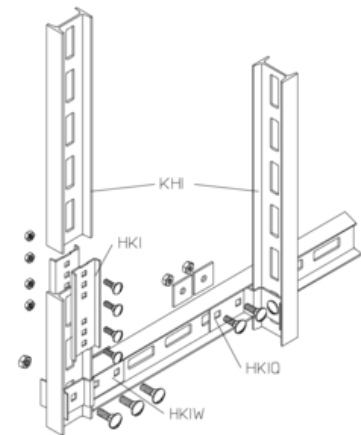
Product	H	B	L	G
KHI 2200-HDG	80 mm	42 mm	2200 mm	12,32 kg
KHI 2300-HDG	80 mm	42 mm	2300 mm	12,88 kg
KHI 2400-HDG	80 mm	42 mm	2400 mm	13,44 kg
KHI 2500-HDG	80 mm	42 mm	2500 mm	14,00 kg
KHI 2600-HDG	80 mm	42 mm	2600 mm	14,56 kg
KHI 2700-HDG	80 mm	42 mm	2700 mm	15,12 kg
KHI 2800-HDG	80 mm	42 mm	2800 mm	15,68 kg
KHI 2900-HDG	80 mm	42 mm	2900 mm	16,24 kg
KHI 3000-HDG	80 mm	42 mm	3000 mm	17,80 kg
KHI 6000-HDG	80 mm	42 mm	6000 mm	35,60 kg

**H:** hoogte  
**B:** breedte  
**L:** lengte  
**G:** gewicht

## DETAILS / TOEPASSINGEN



$$\begin{aligned}
 A_q &= 6,71 \text{ cm}^2 \\
 W_y &= 19,5 \text{ cm}^3 \\
 W_z &= 3,0 \text{ cm}^3 \\
 I_y &= 77,8 \text{ cm}^4 \\
 I_z &= 6,29 \text{ cm}^4
 \end{aligned}$$



## OPTIONELE TOEBEHOREN

KT, KTSS, BL 7, BL 3, BLI, BGI, BGIQ, BGID, HKI, HKIW, HKIQ, SI

